

THC-T150-P 5 MP Indoor Fixed Turret Camera



- High quality imaging with 5 MP, 2560 × 1944 resolution
- 2.8 mm and 3.6 mm fixed focal lens
- Up to 20 m IR distance for bright night imaging
- One port for four switchable signals (TVI/AHD/CVI/CVBS)

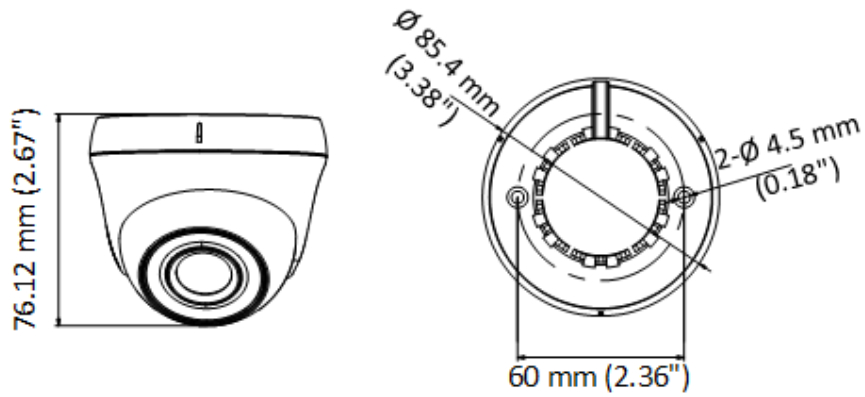
▪ Specification

Camera	
Image Sensor	5 MP CMOS
Max. Resolution	2560 (H) × 1944 (V)
Min. Illumination	Color: 0.01 Lux @ (F2.0, AGC ON), 0 Lux with IR
Shutter Time	PAL: 1/25 s to 1/50, 000 s NTSC: 1/30 s to 1/50, 000 s
Day & Night	ICR
Angle Adjustment	Pan: 0° to 360°; Tilt: 0° to 75°; Rotate: 0° to 360°
Signal System	PAL/NTSC
Lens	
Lens Type	2.8 mm and 3.6 mm fixed focal lens
Focal Length & FOV	2.8 mm, horizontal FOV: 85°, vertical FOV: 63°, diagonal FOV: 110° 3.6 mm, horizontal FOV: 80°, vertical FOV: 63°, diagonal FOV: 105°
Lens Mount	M12
Image	
Image Parameters Switch	STD/HIGH-SAT
Image Settings	Brightness, Sharpness, Mirror, Smart IR, AGC
Frame Rate	TVI: 5 M @ 20 fps, 4 M @ 30 fps, 4 M @ 25 fps, 1080p @ 30 fps, 1080p @ 25 fps AHD: 5 M @ 20 fps, 4 M @ 30 fps, 4 M @ 25 fps CVI: 4 M @ 30 fps, 4 M @ 25 fps CVBS: PAL/NTSC
Day/Night Mode	Auto/Color/BW (Black and White)
Wide Dynamic Range (WDR)	Digital WDR
Image Enhancement	BLC, HLC
White Balance	ATW/MANUAL
Interface	
Video Output	1 HD analog output
General	
Material	Plastic
Dimension	∅ 85.4 mm × 76.12 mm (∅ 3.38" × 2.67")
Weight	Approx. 120 g (0.26 lb.)
Operating Condition	-40 °C to 60 °C (-40 °F to 140 °F), humidity: 90% or less (non-condensation)
Communication	HIKVISION-C
Language	English
Power Supply	12 VDC ±25%
Consumption	Max. 4.3 W
IR Range	Up to 20 m

▪ Available Model

THC-T150-P

Dimension



Accessory

Optional

DS-1280ZJ-XS Junction Box	DS-1275ZJ Vertical pole mount	DS-1272ZJ-110-TF Wall Mount	DS-1276ZJ Corner mount
