

REV™ Series - REV71 | REV71SUR | REV72 | REV72SUR

TruAudio Revolve™ Series speakers have been redesigned from the ground up. We used the latest in advanced technology to design a series of speakers that we believe will give you no reason to look elsewhere. TruAudio has engineered not only a new driver and tweeter for improved sound but also a method of quick install that we believe is the easiest and fastest in the industry. Time is money so watch this quick video and don't blink.



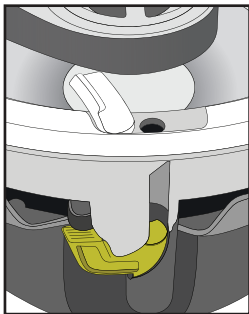
INSTALL VIDEO



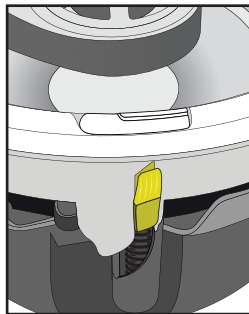
SIMPLIFY THE INSTALL PROCESS

The Revolve™ Series incorporates TruGrip™ Technology to streamline the installation process. TruAudio's TruGrip™ toolless technology is a two-step mechanical dogear to ensure the tightest grip without any sag.

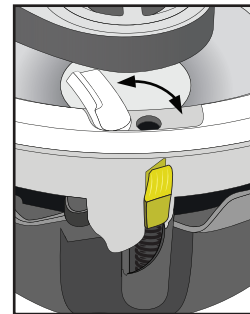
Installing the Speaker



1. START (OPEN)
This is the starting position for installing in the ceiling.

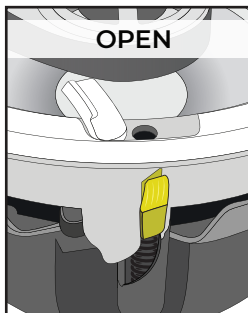


2. FINISH (CLOSED)
This is the finished/closed position.

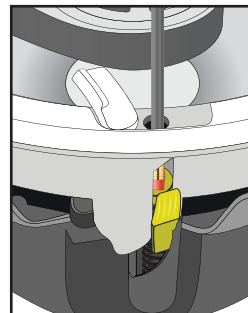
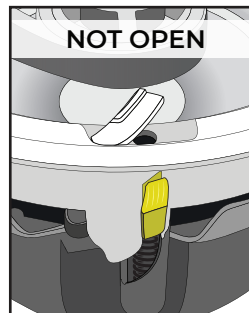


TIGHTENING
If for any reason you need to tighten up the dogear, just open and close the lever.

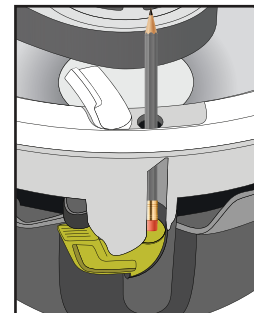
Removing the Speaker



RESET THE DOGEAR
1. Open the lever all the way.



2. Push a pencil or screwdriver into the hole until the dogear locks into place.



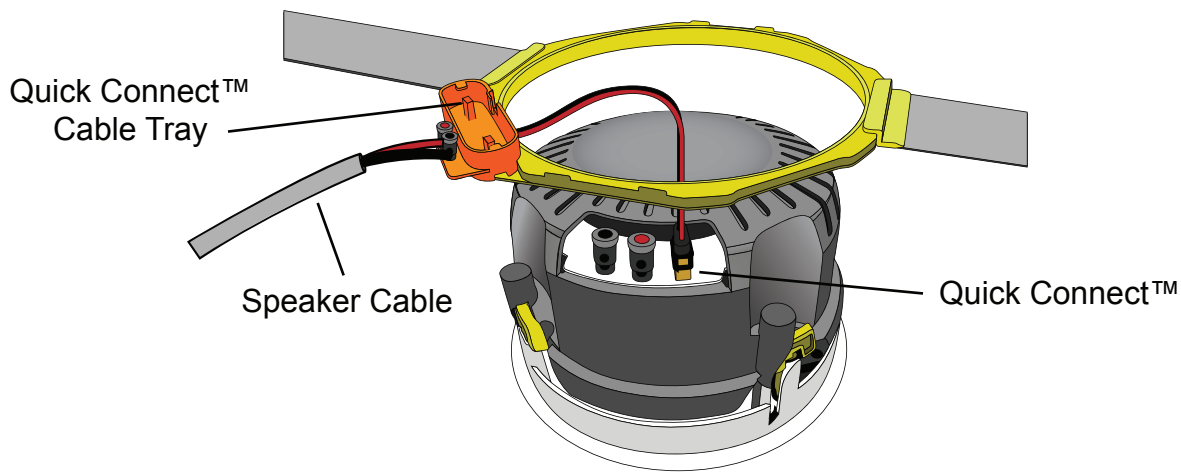
3. The dogear is now reset and the speaker can be removed from the ceiling.



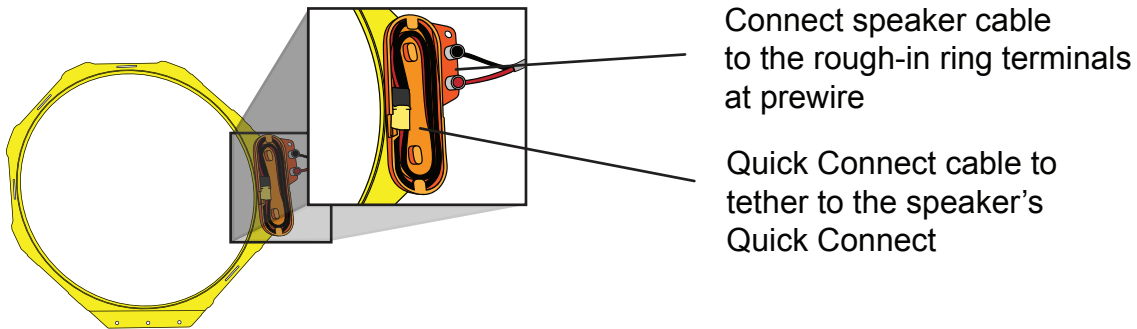
QUICK
CONNECT

QUICK. EASY. SECURE

TruAudio's Quick Connect™ Technology simplifies the speaker installation process. Simply connect the speaker cable to the rough-in ring terminals during pre-wire. When it's time to install the speaker, use the Quick Connect™ cable to tether to the speaker's Quick Connect. *Patent pending.*

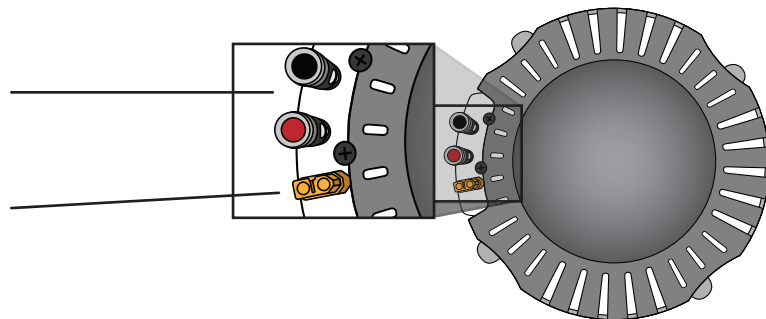


Rough-In Ring



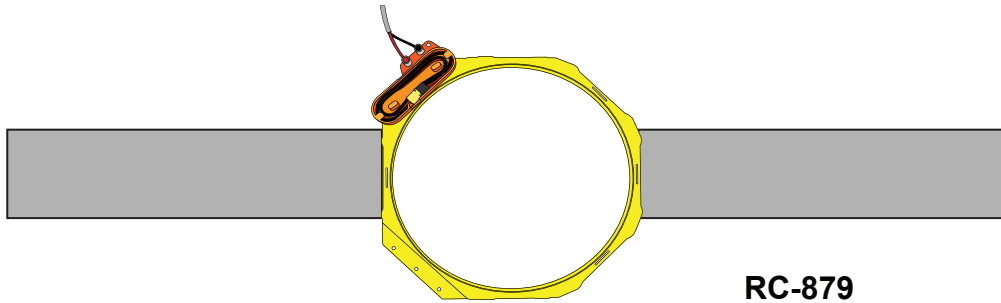
Speaker

Connect using standard terminals
-or-
Connect using the Quick Connect from the rough-in-ring



Rough-In Ring

All of the Revolve™ Series speakers fit into the same in-ceiling rough in ring making it easy to swap out or upgrade to any speaker in the Revolve™ family.



Painting the Grill

If you are going to paint your speaker grills, we suggest painting the grills before installation. The Revolve™ Series is a frameless speaker and will save you time on labor. Painting the grill beforehand will ensure that it is ready to install at the same time as the speakers. When painting the grills, it is VERY IMPORTANT that you remove the cloth like material (Dacron) from the grill before painting, then you can paint the grills lightly and be careful not to clog the holes. Depending on the thickness of the paint, you may want to thin it down and spray a few lite coats. This will help prevent clogging the grill holes.

Tip: Always keep compressed air nearby to lightly blow paint buildup from the holes.



Specifications

REV71

Speaker Type	In-ceiling, 3 way
Woofers:	7" carbon fiber
Tweeter:	1" titanium, swivel
Power:	25-175W
Impedance:	8Ω
Frequency Response:	36-20kHz
Sensitivity:	92dB
Grill Type:	Microperf, frameless
Speaker Wire Connector:	Quick Connect & Gold binding post
Finish Dimensions:	Diameter:10.5" (267mm) Depth: 6.0" (152mm)
Cutout Dimensions:	9.9" (251mm)
Rough-in Ring:	RC-879

REV72

Speaker Type	In-ceiling, 3 way
Woofers:	7" polypropylene
Tweeter:	1" silk dome, swivel
Power:	25-150W
Impedance:	8Ω
Frequency Response:	38-20kHz
Sensitivity:	91dB
Grill Type:	Microperf, frameless
Speaker Wire Connector:	Quick Connect & Gold binding post
Finish Dimensions:	Diameter:10.5" (267mm) Depth: 6.0" (152mm)
Cutout Dimensions:	9.9" (251mm)
Rough-in Ring:	RC-879

REV71SUR

Speaker Type	In-ceiling, surround
Woofers:	7" carbon fiber
Tweeter:	1" titanium, swivel
Power:	25-175W
Impedance:	8Ω
Frequency Response:	36-20kHz
Sensitivity:	92dB
Grill Type:	Microperf, frameless
Speaker Wire Connector:	Quick Connect & Gold binding post
Finish Dimensions:	Diameter:10.5" (267mm) Depth: 6.0" (152mm)
Cutout Dimensions:	9.9" (251mm)
Rough-in Ring:	RC-879

REV72SUR

Speaker Type	In-ceiling, surround
Woofers:	7" polypropylene
Tweeter:	1" silk dome, swivel
Power:	25-150W
Impedance:	8Ω
Frequency Response:	38-20kHz
Sensitivity:	91dB
Grill Type:	Microperf, frameless
Speaker Wire Connector:	Quick Connect & Gold binding post
Finish Dimensions:	Diameter:10.5" (267mm) Depth: 6.0" (152mm)
Cutout Dimensions:	9.9" (251mm)
Rough-in Ring:	RC-879

