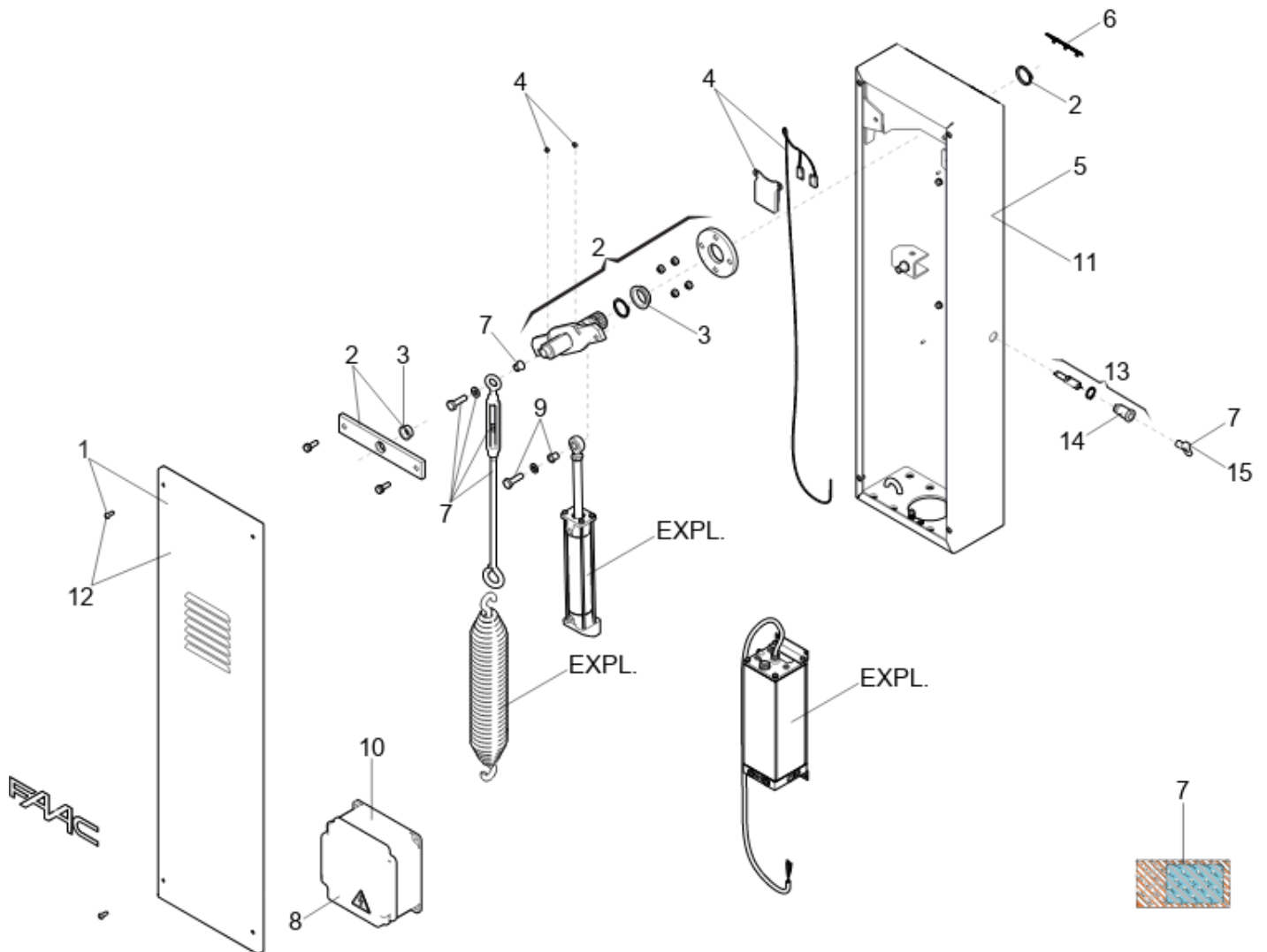


615 BPR STD 1



Pos.	Code	EAN	Quantity	Replacement code	Description	Salable
1	7272755	8055195024753	1		COVER 610/615 (RAL 2004)	yes
2	428324	8055195009590	1		C.T.B.615 MOTION TRANSMISSION KIT	yes
3	63003302	8055195057522	1		615BPR MOTION GROUP BUSHINGS	yes
4	409819	8055195008388	1		615 BPR STOP SET	yes
5	406019	8055195008296	1		CASE 615 (RAL 2004)	yes
6	7324745	8055195025187	1		2003 FAAC LOGO	yes
7	3908425	8055195015287	1		SKINPACK 615 BPR BARRIER	yes
8	790281	8055195012989	1		596/615BPR ELECTRONIC BOARD	yes

Pos.	Code	EAN	Quantity	Replacement code	Description	Salable
9	7080435	8055195022353	1		610/615 CYLINDER JOINT	yes
10	419401	8055195008708	1		620/640/615 ELECTRONIC UNIT BOX	yes
11	63000284	8055195030136	1		615BPR CASE RAL 9006 (GREY)	yes
12	63000287	8055195030150	1		615BPR COVER RAL 9006 (GREY)	yes
13	4245985	8055195015546	1		GR.EXT.RELEASE STANDARD 610/615	yes
14	7128035	8055195023190	1		CYLINDER LOCK	yes
15	713002	8055195010886	1		402 RELEASE KEY	yes