

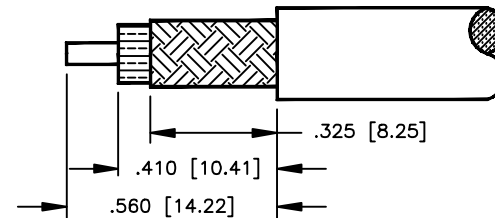
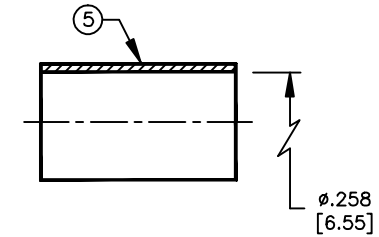
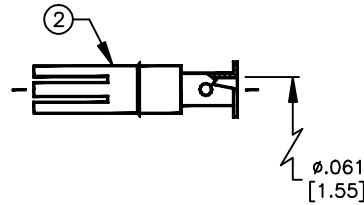
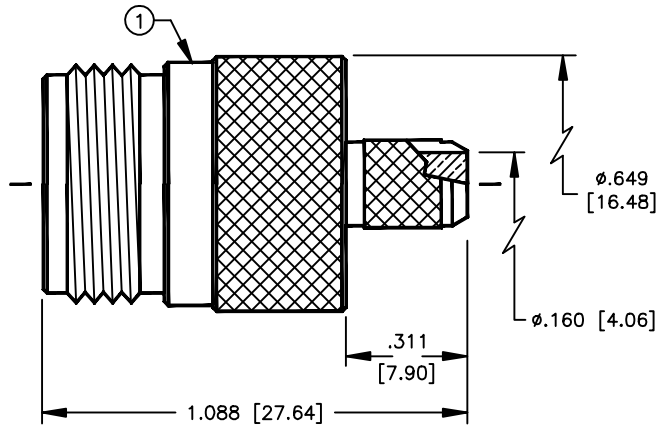
SPECIFICATION CONTROL DRAWING

THIS DRAWING CONTAINS INFORMATION PROPRIETARY TO RF INDUSTRIES, LTD. ANY UNAUTHORIZED USE OF THIS DRAWING IS EXPRESSLY PROHIBITED. ANY VIOLATION IS PUNISHABLE UNDER U.S. COPYRIGHT LAWS.

REV	DESCRIPTION	DWN	DATE	APPROVED
C	CHANGE TO STD GROUND RING & BODY ID	CZS	8/14/98	R. RICE
D	CHANGE DIELECTRIC ID CONFIG & STRIPPING INSTRUCTIONS	CZS	4/28/99	R. RICE
E	CONTACT NOW PHOS BRONZE	CZS	9/9/99	R. RICE
F	CHANGE FERRULE CONFIGURATION	CZS	12/12/99	J. D. McR

ALL DIMENSIONS ARE REFERENCE ONLY

000000



SUGGESTED STRIPPING INSTRUCTIONS

SUGGESTED CRIMP DIE: .068 & .255

SPECIFICATIONS:

IMPEDANCE: 50 OHMS
 WORKING VOLTAGE: 1000 VRMS @ SEA LEVEL
 FREQUENCY RANGE: 0-11 GHz
 INSERTION LOSS: \leq -.2dB @ 10 GHz
 VSWR MAX: 1.3:1 @ 9 GHz
 FOR RG-8/X, BELDEN 9258, MAXRAD M8X-100 & M8X-1000, MICRO 8/U, REMEE 1600, SAXTON 8315 & TIMES LMR-240 & LMR-240 ULTRAFLEX CABLE
 INTERFACE PER MIL-STD-348, SECTION 304.2

DIMENSIONS ARE IN INCHES AND [MILLIMETERS]

UNLESS OTHERWISE NOTED TOLERANCES ARE:
 DECIMALS DIAMETER

RF connectors
 DIVISION OF RF INDUSTRIES, LTD.

7610 MIRAMAR RD
 SAN DIEGO, CA 92126
 (619)549-6340
 (619)549-6345 FAX

RFN-1029-SX

N FEMALE CRIMP

ITEM	DESCRIPTION	QTY	MATERIAL	FINISH	APPROVALS	DATE
5	CRIMP RING [FER-204]	1	BRASS	SILVER	DRAWN C. ZUNIGA	12/12/99
4	PRESS FIT GROUND RING	1	BRASS	SILVER	CHECKED	
3	DIELECTRIC	1	PTFE	NONE	ORJ DRAWN P. BREAUX	6/9/92
2	CONTACT [CON-311-10]	1	PHOS BRONZE	GOLD		
1	BODY	1	BRASS	SILVER		

SIZE	CABLE GROUP	DWG NO.	REV
A	X	7600	F
SCALE: 2:1		CAD FILE 13ARC B	SHEET 1 OF 1