

FDP-420A Fiber Distribution Box

FDP-420A Series Fiber Distribution Box

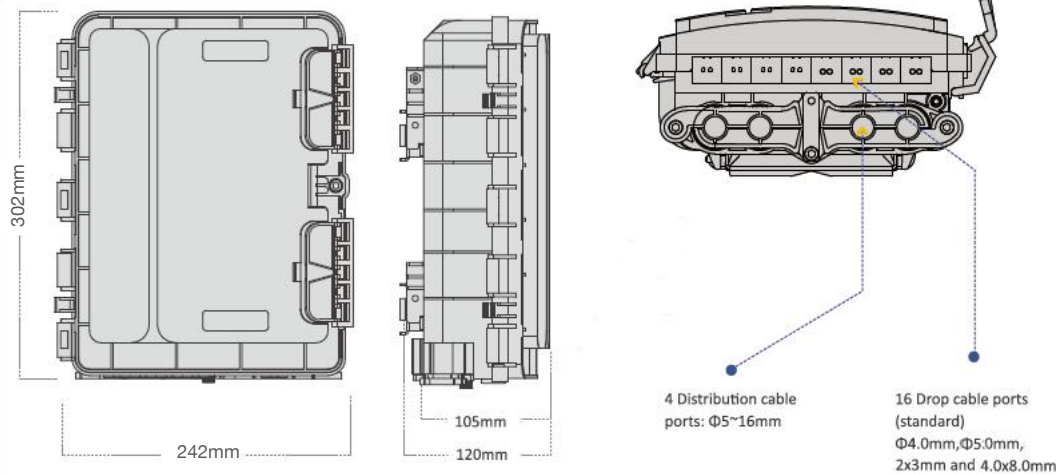
FDP-420A is a subscriber optical fiber access box that is used to build FTTH network. It is designed to provide a protected access point between the distribution cable and drop cable. This product can keep internal components away from outdoor environmental damage. The distribution input signal is spliced to the input of the optical splitter. The splitter outputs connect with terminated drop cable. The FDP-420A series are suitable for the application both on LCP and NAP in the distributed split PON architecture.

Features

- Outdoor application and good UV resistant
- Apply to wall-mounted and pole-mounted
- Numerous applications such as mid-span, branch and direct splice
- Different splitter panels support micro splitter or LGX splitter with adaptor
- High strength material with good weather adaptability
- Excellent sealing performance. It is compatible with different optical cable
- Protection grade: IP55



Specification



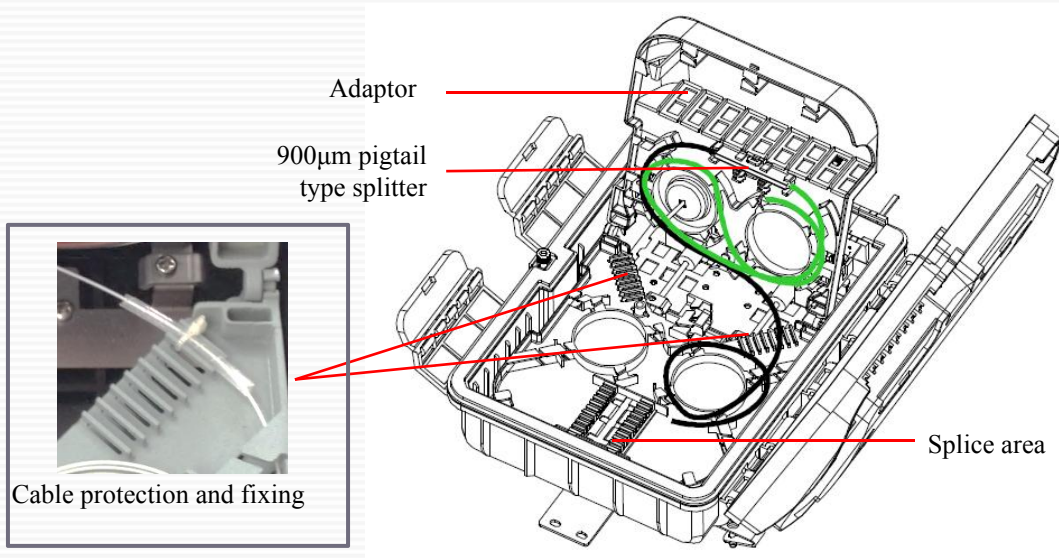
Box size

Bottom of FDP-420A

Item	Specification
Dimension (mm)	242×302×120 (±5)
Splice capacity	Maximum 40F
Termination capacity	18
Protection Level	IP55
Color	Black
Operating Temperature(°C)	-40~+65

FDP-420A Fiber Distribution Box

Product detail



Type A sealing plug
2x3mm x2



Type B sealing plug
Φ4.0mm x2

Type 1: Equipped with 900µm pigtail type splitter

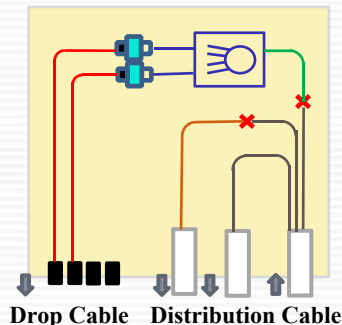


Splitter type	Number of splitter	Max. splice capacity	Max. SC adaptor capacity
900µm pigtail type splitter	2 pcs 1:4 or 1:8	2 × 20F	18pcs
	1 pc 1:16	20F	

FDP-420A Fiber Distribution Box

Cable route

900µm pigtail type splitter :FDP-420A-XX-S



For 900µm pigtail splitter type box, the distribution cable is spliced to the input pigtail of the splitter and connect with pre-connectorized drop cable (or terminated with field assembly connector).

900µm pigtail type splitter
 Adaptor
 Connector
 Field assembly connector
 Drop cable
 Distribution cable
 Splice point

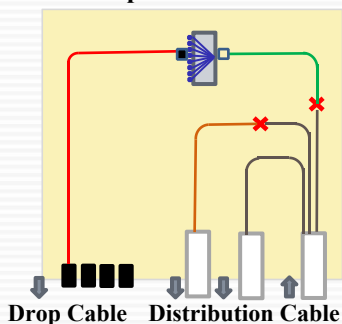
Type 2: Equipped with cassette splitter



Splitter type	Number of splitter	Max. splice capacity	Max. SC adaptor capacity
LGX splitter	2 pcs 1:4 or 1:8	20F	18pcs

Cable route

Cassette splitter:FDP-420A-XX-C



For LGX splitter type box, distribution cable is spliced to the input pigtail of the splitter. The splitter is connected to pre-connectorized drop cable (or terminated with field assembly connector).

LGX splitter
 Adaptor
 Connector
 Field assembly connector
 Drop cable
 Distribution cable
 Splice point

FDP-420A Fiber Distribution Box

Accessory

Accessory List

No.	Name	Specification	Quantity	Unit	Remarks
1	Transparent Strapping tape (Cable tie)	/	5	pcs	/
2	Small Transparent Strapping tape (Cable tie)	/	10	pcs	/
3	Main cable sealing module	/	1	set	/
4	Throat hoop	/	4	pcs	/
5	Heat shrinkable protection sleeve	/	12	pcs	/
6	Flat pad	/	8	pcs	/
7	Nut	/	4	pcs	/
8	Mounting metal sheet of holding pole	/	4	pcs	/
9	Cross recessed pan head screw	/	4	pcs	/
10	Pole hoop	/	2	pcs	/
11	Cross recessed pan head screw	/	1	pc	/
12	Instruction manual	/	1	pc	/