

B8TURBOPC/A

2MP ColorVu Audio Fixed Mini Bullet Camera

epcom[®]

Professional Video Surveillance Solutions

ColorPlus



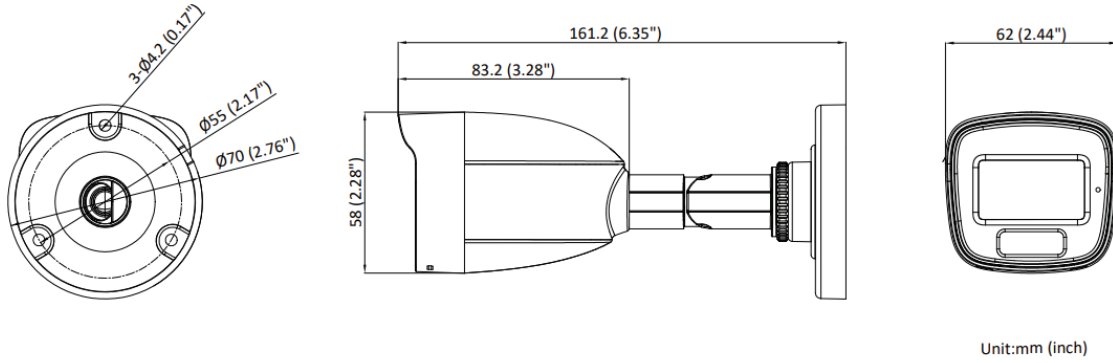
- High quality imaging with 2 MP, 1920 × 1080 resolution
- 24/7 color imaging with F1.0 aperture
- 3D DNR technology delivers clean and sharp images
- 2.8 mm, 3.6 mm fixed focal lens
- Up to 20 m white light distance for bright night imaging
- High quality audio with audio over coaxial cable, built-in mic
- One port for four switchable signals (TVI/AHD/CVI/CVBS)
- Water and dust resistant (IP66)

epcom[®]

Professional Video Surveillance Solutions

Camera	
Image Sensor	2 MP CMOS
Max. Resolution	1920 (H) × 1080 (V)
Min. Illumination	0.001 Lux @ (F1.0, AGC ON), 0 Lux with white light
Shutter Time	PAL: 1/25 s to 1/50,000 s; NTSC: 1/30 s to 1/50,000 s
Angle Adjustment	Pan: 0° to 360°, Tilt: 0° to 180°, Rotate: 0° to 360°
Signal System	PAL/NTSC
Lens	
Lens Type	2.8 mm, 3.6 mm fixed focal lens
Focal Length & FOV	2.8 mm, horizontal FOV: 105°, vertical FOV: 55°, diagonal FOV: 125° 3.6 mm, horizontal FOV: 84°, vertical FOV: 45°, diagonal FOV: 99°
Lens Mount	M12
Illuminator	
Supplement Light Type	White Light
Supplement Light Range	Up to 20 m
Smart Supplement Light	Yes
Image	
Image Parameters Switch	STD/HIGH-SAT/HIGHLIGHT
Image Settings	Brightness, Sharpness, Anti-banding, AGC
Frame Rate	TVI: 1080p @25 fps/30 fps CVI: 1080p @25 fps/30 fps AHD: 1080p @25 fps/30 fps CVBS: PAL/NTSC
Day/Night Mode	Color
Wide Dynamic Range (WDR)	Digital WDR
Image Enhancement	DWDR, BLC, HLC, Global
Noise Reduction	3D DNR/2D DNR
White Balance	Auto, Manual
Interface	
Video Output	Switchable TVI/AHD/CVI/CVBS
Alarm	Solid Light Alarm (White Light)
General	
Material	Plastic
Power	12 VDC ± 25%, max. 2 W, *You are recommended to use one power adapter to supply the power for one camera.
Dimension	∅70 mm × 161.2 mm (2.76" × 6.35")
Weight	Approx. 156 g (0.34 lb.)
Operating Condition	-40 °C to 60 °C (-40 °F to 140 °F). Humidity: 90% or less (non-condensing)
Communication	HIKVISION-C
Language	English
Approval	
Protection	IP66

▪ Dimension



▪ Accessory

▪ Optional

DS-1280ZJ-XS Junction Box

