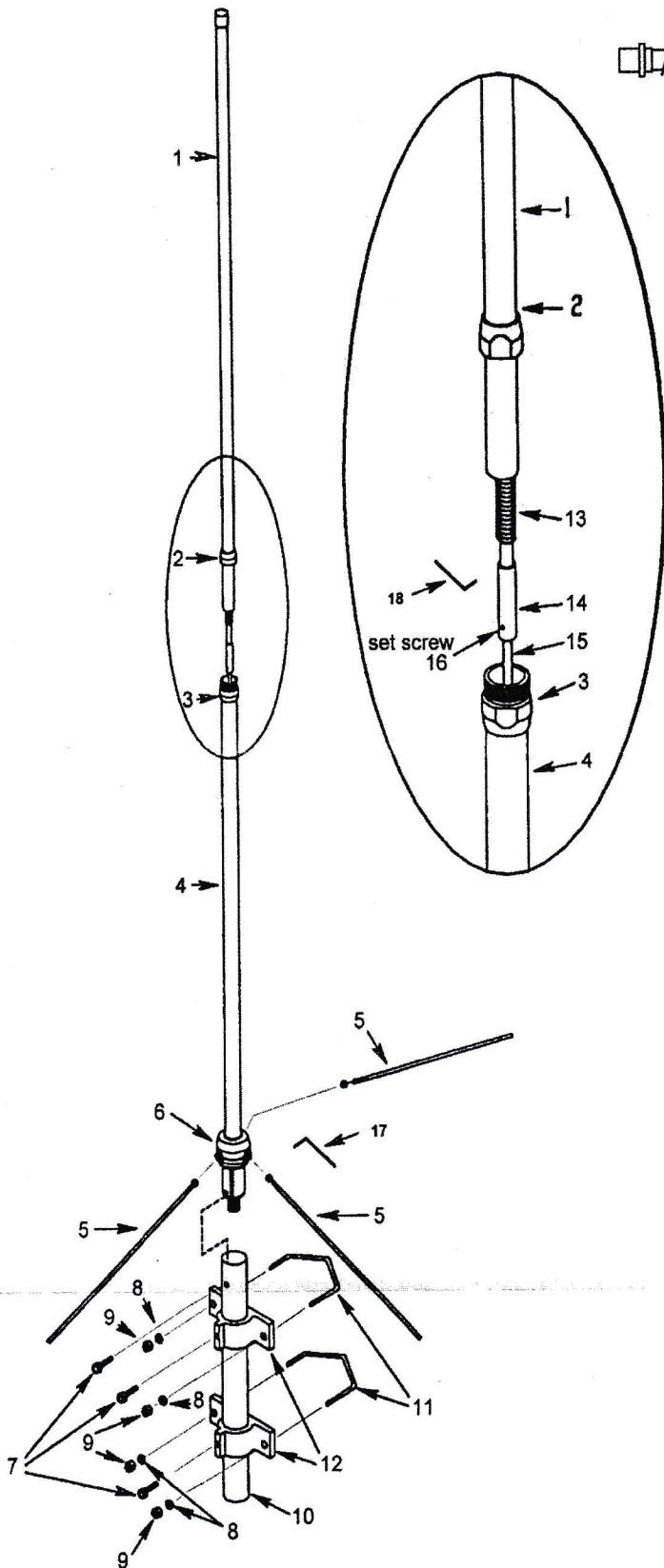


TXAB13674FG2 PARTS LIST AND ASSEMBLY DRAWING



CUTTING CHART

FREQUENCY (MHz)	LENGTH (Unit: mm)	
	L1	L2
136	1162	1380
140	1080	1330
144	1020	1285
148	960	1240
151	920	1195
154	895	1150
157	875	1105
160	830	1080
163	800	1050
166	770	1015
169	735	1000
174	700	990

PARTS LIST

NO	DESCRIPTION	Q'TY
1	UPPER OUTER TUBE	1
2	UPPER OUTER TUBE JOINT	1
3	LOWER OUTER TUBE JOINT	1
4	LOWER OUTER TUBE	1
5	RADIALS & NUT, SPRING WASHER	3
6	METAL ANTENNA BASE	1
7	LOCKING SCREW	3
8	LOCKING WASHER	4
9	NUT	4
10	SUPPORTING PIPE	1
11	U-BOLT	2
12	BRACKET	2
13	UPPER RADIATOR ELEMENT	1
14	ELEMENT JOINT	1
15	LOWER RADIATOR ELEMENT	1
16	SET SCREW	1
17	WRENCH (LARGER ONE)	1
18	WRENCH (SMALLER ONE)	1