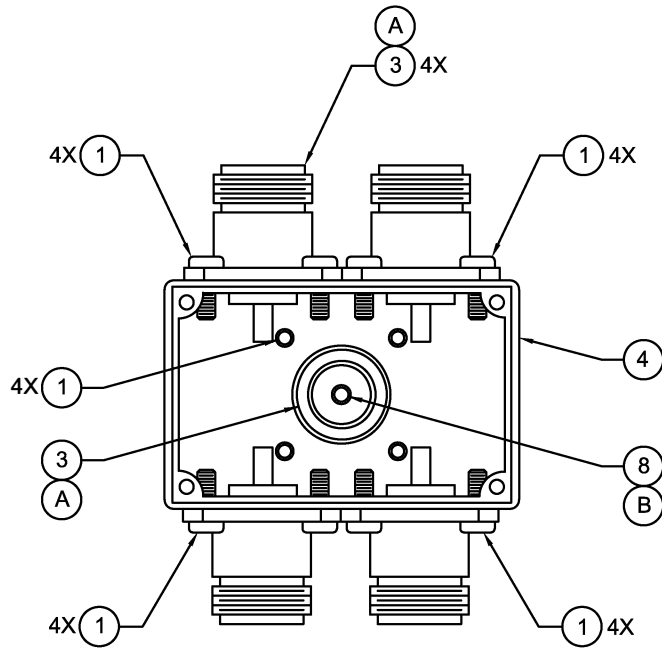


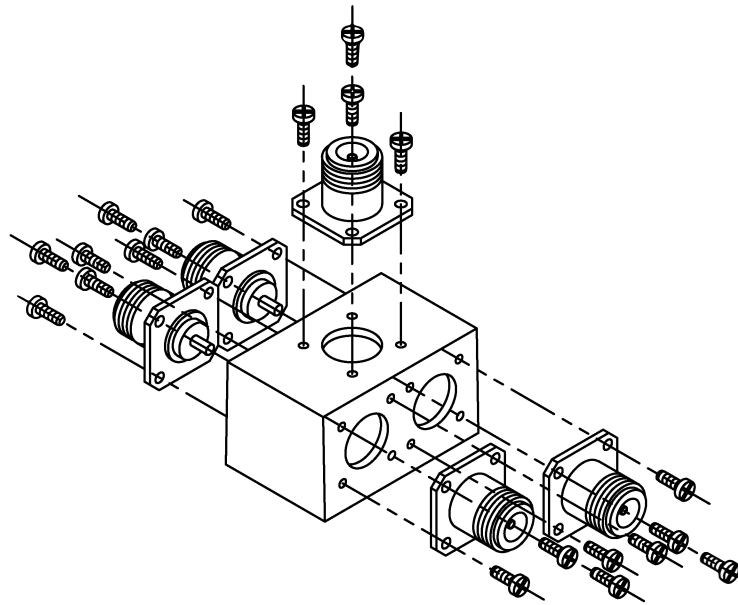
ELECTRICAL SPECIFICATION:

MODEL NUMBER: TW4-150/450

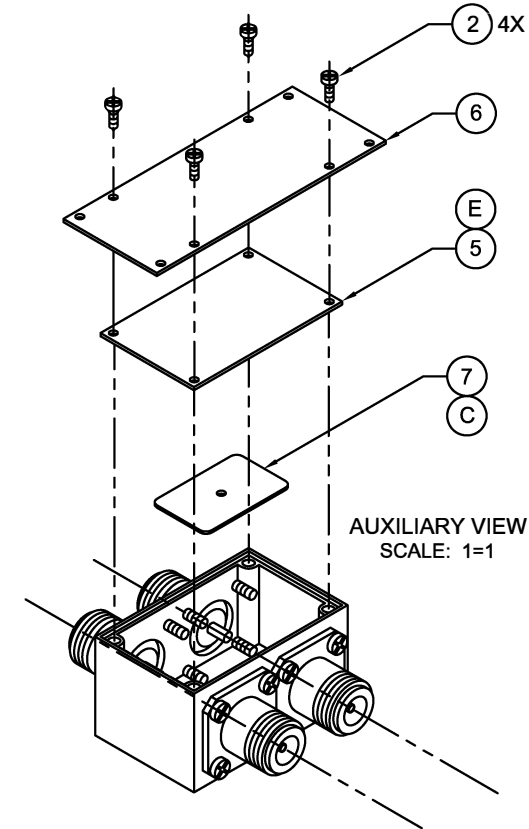
FREQUENCY RANGE:



TOP VIEW
SCALE 2=1



REVISIONS			
REV.	DESCRIPTION	DATE	APPROVAL
D	RELEASED ACAD 2007	.	*
E	DELETE ITEM 10 & NOTES E/F	10/29/13	D.M.



ITEM	QTY	PART NUMBER	DESCRIPTION
UNLESS OTHERWISE SPECIFIED DIMENSIONS ARE IN INCHES TOLERANCES ARE: FRACTIONS DECIMALS ANGLES ± .004 ±.020 ±.1° ± .000±.010			DO NOT SCALE DRAWING
MATERIAL SEE P/L			APPROVALS DRAWN R.J. CHECKED D.M.
FINISH -			DATE 3/25/09 10/29/13
			SIZE C
			DWG. NO. 7996
			SCALE 1=1
			SHEET 1 of 1

THIS DOCUMENT CONTAINS PROPRIETARY INFORMATION WHICH SHALL NOT BE REPRODUCED, TRANSFERRED TO OTHER DOCUMENTS, DISCLOSED TO OTHERS, USED FOR MANUFACTURING OR ANY OTHER PURPOSE WITHOUT PRIOR WRITTEN AUTHORIZATION FROM TELEWAVE Inc.

TELEWAVE, Inc.
860 GIGUERE COURT, SAN JOSE, CALIFORNIA 95133

ASSEMBLY DRAWING, 4 WAY
JUNCTION, TW4-150/450