

EPCOM

1630 Paisano Dr.
El Paso. Tx 79901.

Ph (915)533-5119

www.epcom.net

SYSCOM

Ave 20 de Noviembre No. 805 Col. Centro
Chihuahua, Chih. 31000 Tel 052 (614) 415 – 2525

www.syscom.mx

D32044113 Stopper Replacement for TK-2202, 2402 y 3402K

Tope del Seguro de la Tapa

TK-2402(V)/2402/2406/2407

PARTS LIST

* New Parts. Δ indicates safety critical components.

Parts without Parts No. are not supplied.

Les articles non mentionnés dans le Parts No. ne sont pas fournis.

Teile ohne Parts No. werden nicht geliefert.

L : Scandinavia

Y : PX (Far East, Hawaii)

C : China

K : USA

T : England

X : Australia

P : Canada

E : Europe

M : Other Areas

TK-2402(V) / 2402 / 2406 / 2407

TX-RX UNIT (X57-8310-10)

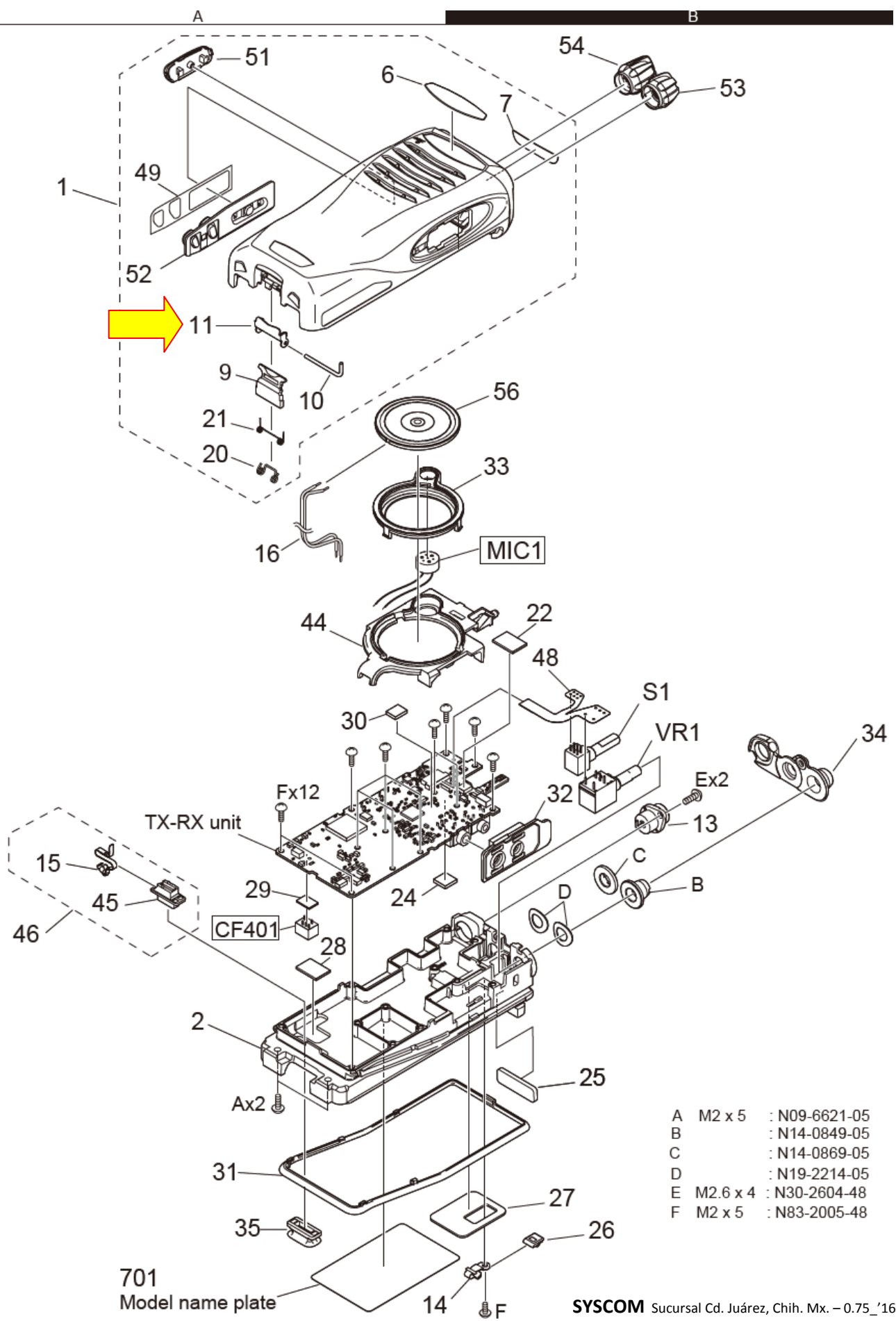
Ref. No.	Address	New parts	Parts No.	Description	Destination	Ref. No.	Address	New parts	Parts No.	Description	Destination
TK-2402(V) / 2402 / 2406 / 2407											
1	1A	*	A02-4200-03	PLASTIC CABINET ASSY		VR1	2B		R31-0670-25	VARIABLE RESISTOR	
2	3A	*	A10-4170-01	CHASSIS		S1	2B	*	S60-0450-05	ROTARY SWITCH	
4	2C	*	B09-0758-03	CAP(EXT SP/MIC) ACCESSORY		56	1A	*	T07-0805-05	SPEAKER	
6	1B	*	B43-1686-04	BADGE(FRONT)		57	2D		T90-1036-15	HELICAL ANTENNA ACCESSORY	K,K1,P
7	1B	*	B43-1687-04	BADGEREAR)		58	1D		W08-1247-25	AC ADAPTER ACCESSORY	K,K1
8	1C	*	B62-2479-00	INSTRUCTION MANUAL ACCESSORY	K,K1,P	59	1D		W08-1249-35	CHARGER ACCESSORY	K,K1
8	1C	*	B62-2480-00	INSTRUCTION MANUAL ACCESSORY	M	58	1D	*	W08-1326-05	AC ADAPTER ACCESSORY	P
8	1C	*	B62-2481-00	INSTRUCTION MANUAL ACCESSORY	M1	58	1D	*	W08-1327-05	AC ADAPTER ACCESSORY	M1
9	1A		D10-0649-03	LEVER		59	1D	*	W08-1331-05	CHARGER ACCESSORY	M1,P
10	1A		D21-0863-04	SHAFT							
11	1A		D32-0441-13	STOPPER							
12	1B	*	D32-0456-03	STOPPER(SEL) ACCESSORY							
13	2B		E04-0477-15	RF COAXIAL RECEPTACLE(SMA)							
14	3B		E23-1253-14	TERMINAL(GROUND)							
15	2A	*	E23-1395-04	TERMINAL(+VE)							
16	2B		E37-1288-05	PARALLEL CORD							



1

2

3



- A M2 x 5 : N09-6621-05
- B : N14-0849-05
- C : N14-0869-05
- D : N19-2214-05
- E M2.6 x 4 : N30-2604-48
- F M2 x 5 : N83-2005-48