



EnGenius Cloud Switch Series

Multi-Gigabit Performance, Enterprise Features & Cloud Management

EnGenius Cloud Switch Series provides enterprise-class features for simplifying network configuration and monitoring for mid-size to large businesses. With advanced management, EnGenius Switches enhance network performance to allow companies to focus on growing their business.

Simple — With easy-to-deploy design, EnGenius Managed Multi-Gigabit & Gigabit Switches are operational within minutes. Organizations with limited IT support and budgets can create a reliable, efficiently managed network in no time.

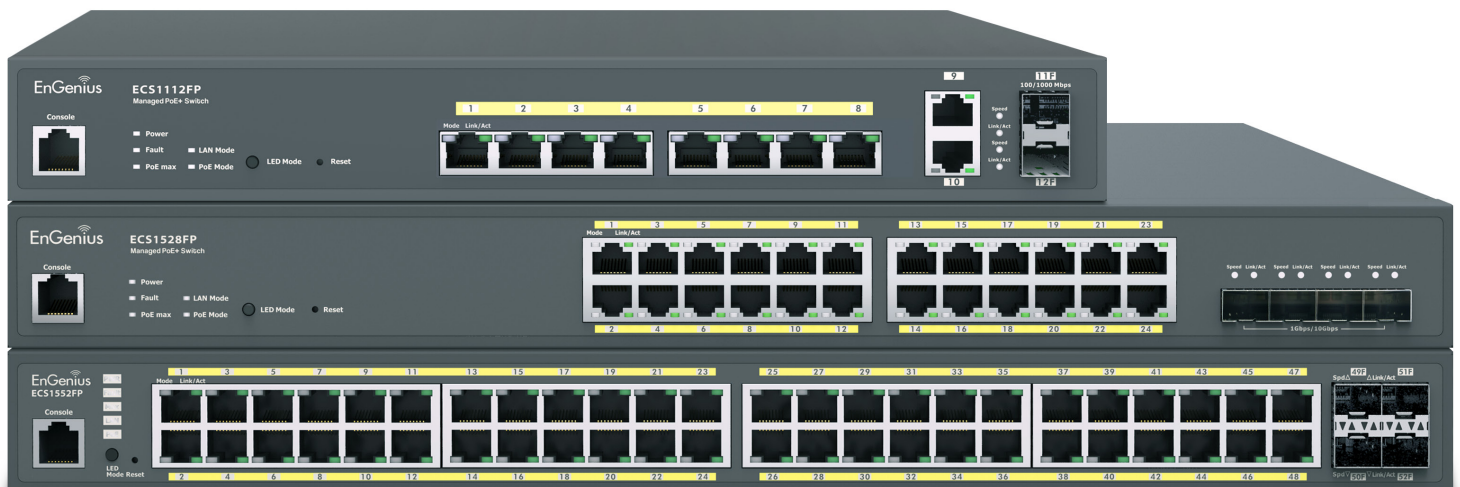
Flexible — Choose the port and physical configuration that meets your network and space requirements for optimal performance. Select the management method most effective for the network – locally manage, remotely and locally manage or Cloud manage.

Reliable — EnGenius Cloud’s reliable gigabit and multi-gigabit access for networked devices reduces delays that interrupt communications.

Secure — With EnGenius Cloud, your network devices are protected with two-factor authentication and non-sequential serial numbers and MAC address verification to ensure only authorized cloud devices are on the network.

Features & Benefits

- Full-Featured Layer 2+ Switching
- 8-48 10/100/1000/2500 Base-T GbE Ports
- 802.3bt/at/af PoE++ Ready on All Ports with 55 - 740W PoE budgets
- 1-10 Gbps SFP+ Slots Extend Connectivity via Fiber Uplinks, Redundancy, and Failover
- Real-Time System Metrics, Deep-Dive Analytics, and Remote Configurations
- Quick-Scan Device Register, Remote Monitoring, and Troubleshooting
- Network Troubleshooting, Monitoring, and Email Alerts
- Advanced View Displays Network Topology with Devices and Relationships
- Hybrid Switch Supports Multiple Management Options



Benefits to Help Grow Your Business

Increased Flexibility for Network Design

Select either 8-, 24-, or 48-Multi-Gigabit or Gigabit ports and Power-over-Ethernet (PoE++)-ready Layer 2+ switches with 1-10 Gbps SFP+ ports. Cloud Managed Switch model options also include desktop and rack mountable, fanless, and SmartFan designs.

Enhanced Network Performance

EnGenius' full-featured Layer 2+ multi-gigabit and gigabit switches improve network speed and performance by controlling the available bandwidth speed for devices, such as access points, at the port level. By providing the available speed needed in areas where bandwidth needs vary, such as conference rooms and lobbies, EnGenius switches provides faster overall network performance.

Optimized Network Devices

EnGenius switches allow businesses to optimize the installation and power management of network devices, such as Wi-Fi 6 wireless access points, AV controllers, PTZ Cameras, digital signage, and lighting. By providing 802.3bt/at/af PoE++ power and data on all ports, companies can regulate power budgets according to device requirements and remotely power cycle individual ports.

High-Speed Gigabit with Fiber

The switch's 1 or 10 Gbps SFP+ slot options connect wired network segments throughout buildings extending beyond the limitations of Ethernet cabling. By reducing delays, businesses experience more consistent and uninterrupted communications.

Keep Up with Today's Technologies

High-performing access points supporting faster speeds and hundreds of concurrent users, now support 2.5 Gbps Ethernet connections. Multi-Gig switches using the existing cabling can support up-to 2.5 gigabit per a port and automatically detect the speed needed by the connected end device. Utilize the higher PoE++ (802.3bt) standard on any port for the growing demand of high powered devices like Wi-Fi 6 wireless access points, AV controllers, PTZ Cameras, digital signage, and lighting.

Increased Access Control and Security

Protect the network with 802.1X port-based client authentication with dynamic VLAN and security through a RADIUS server. Utilizing Access Control Lists (ACLs), administrators can see who has access to network segments while screening traffic from unauthorized MAC or IP addresses. By establishing a guest VLAN to grant and limit Internet resources for visitors, guests can use the network while also keeping the network secure.

Improved VLAN/Voice and Quality of Service

Segment the network by departments or traffic types for increased performance and security with 802.1Q VLAN statically or dynamically. While 802.1p Class of Service prioritizes compliant VoIP and video traffic ensuring bandwidth intensive, time-sensitive data is forwarded immediately for clear, smooth voice and video delivery.

The screenshot displays a network management dashboard for 'Tork Metals / 8F'. The main section is titled 'Switches' and shows a list of devices. Two switches are visible:

Name	MAC	Model Name	WAN IP	LAN IP	Port(Active/Total)	FW Version	Uptime	Actions
ECS1008P_DAN0	00:02:6F:23:87:88	ECS1008P	36.225.5.68	10.0.84.136	1/8	v1.1.11-2.01.045	20m 32s	Details Reboot
ECS1128FP	00:02:6F:A2:74:F9	ECS1128FP	211.72.124.13	10.0.84.110	2/28	v0.1.6-2.00.031	7m 34s	Details Reboot

Below the list, detailed views for two ports are shown:

- Port 1 of ECS1008P_DAN0:** Shows a port view with 8 ports (1-8) and a VLAN configuration table. The VLAN table shows ID 1, Tagged as '-', and Untagged as 1-8. Status includes PoE(Used/Total) 0W/55W and STP Enabled.
- Port 1 of ECS1128FP:** Shows a port view with 28 ports (1, 3, 5, 7, 9, 11, 13, 15, 17, 19, 21, 23, 25, 27) and a VLAN configuration table. The VLAN table shows ID 1, Tagged as '-', and Untagged as 1. Status includes PoE(Used/Total) 0W/370W and STP Enabled.

Provides In-Depth Network Visibility

The Network Topology View automatically maps the network deployment and displays device relationships across the infrastructure. No more manual tracking required — simply use Network Topology view to troubleshoot switches or access points directly from the cloud management interface. Grab high-level information by hovering over the device icon or click on details to take you right to the cloud device page.

Every Cloud Device is Secure and Protected by Advanced Authentication

With EnGenius Cloud, your network devices are protected with two-factor authentication and non-sequential serial numbers and MAC address verification to ensure only authorized cloud devices are on the network. Once devices are authenticated, a secure tunnel is established between the device and the cloud management system with a unique certificate to encrypt transmissions.

Cloud Improves Setup, Registry and Device Management of Multi-Gig & Gigabit Switches

For quick and simple setup manage your switches using EnGenius Cloud. Scan and assign switches into an organization and network for device registration and configuration using the EnGenius Cloud app. Simply refine configurations under the list view for switches in the switch's detail page after initial setup and registration.

EnGenius Cloud's dashboard provides a quick health check status of all your switches in an organization and network. Simply click on the switch picture from the dashboard to dive into detailed switch configurations and system information.

Conveniently & easily monitor and troubleshoot all of your network switches in one location. Quickly review switch list to compare resources and check overall configurations with other switches within the network. Further access individual switch information by clicking detail view to get real-time meters and configure system and port settings for easy setup and fine tuning of switches.

Set maintenance schedules across times zones to improve up-time, enable remote system log to track system modifications or configuration changes, establish event-based email alerts and receive push notifications via the EnGenius Cloud app.

The screenshot displays the EnGenius Cloud management interface for a switch named ECS1008P. The interface is organized into several sections:

- Header:** Shows the organization name "Tork Metals / 8F", the device type "Switches", a search icon, a notification bell, and the user name "Joe Smith".
- Device Overview:** Features a small image of the switch and a table of key information:

Model Name	ECS1008P	IP Address	192.168.30.86	Voice VLAN	OFF
Firmware	v1.1.11-2.01.045	Subnet Mask	255.255.254.0	Jumbo Frame	OFF
Serial NO.	1930G8111D7W	Gateway	192.168.31.254	IGMP Snooping	OFF
MAC Address	88:DC:96:78:4E:D3	Topology	Show	STP	ON
				LLDP	ON
				QoS	ON
- Navigation:** Includes tabs for "Summary" (selected), "System Setting", and "Port Setting".
- PORTS:** A visual representation of the 8 ports, with a legend for speeds (100/10 Mbps, 1 Gbps, 10 Gbps), status (Disconnected, Disabled), and features (PoE, Uplink). Ports 2, 3, and 8 are shown as active with green lightning bolts.
- TOTAL POE USAGE:** A horizontal bar chart showing current usage at 12% (7.1W) out of a total budget of 55W.
- TOTAL POE UTILIZATION BY PORT:** A horizontal bar chart showing utilization for Port 02 and Port 03, with a maximum capacity of 29W.
- Realtime Meters:** A sidebar on the right containing two charts: "CPU" usage at 4% and "Memory" usage at 84%.

Simplified Switch Management, Visibility, and Troubleshooting

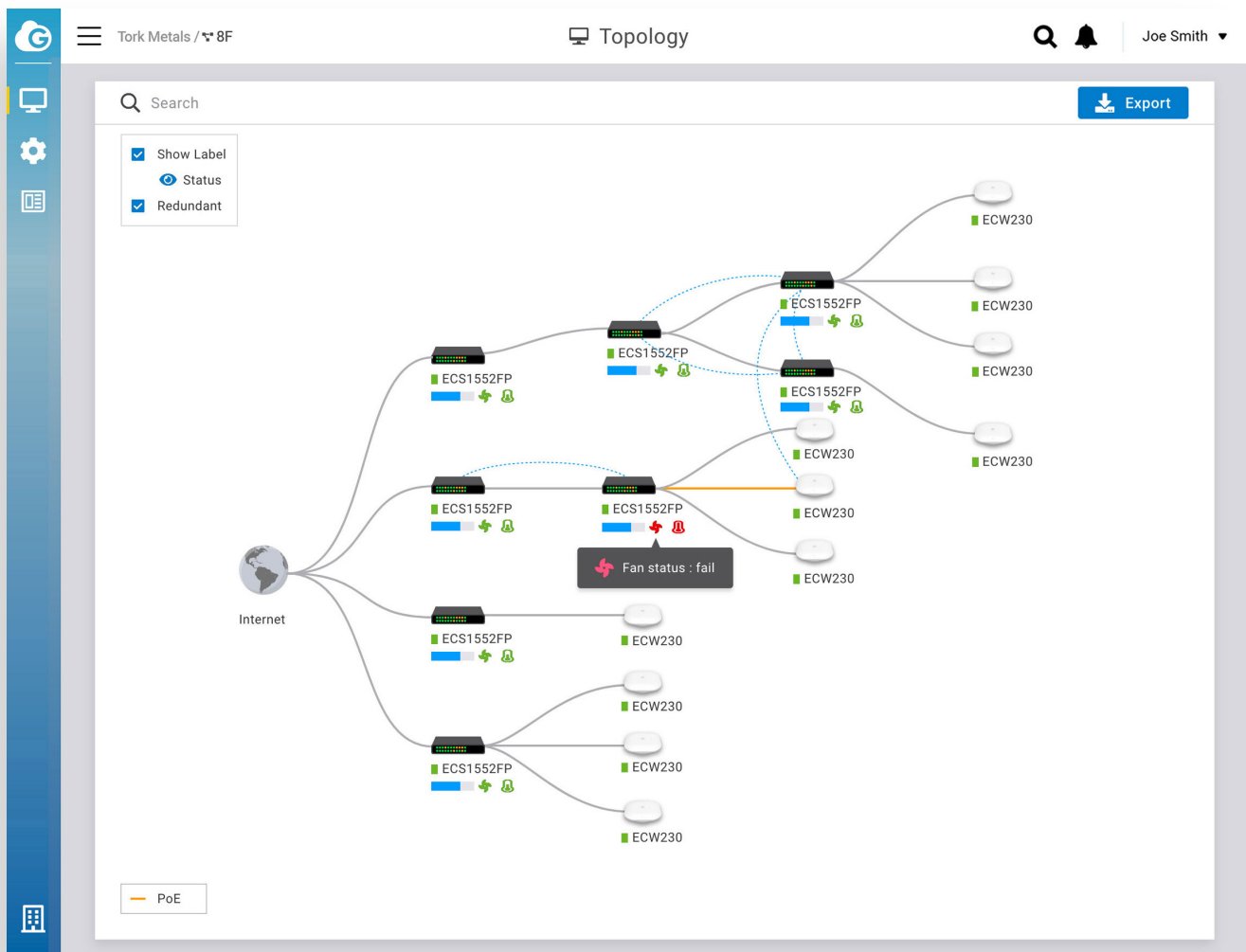
By using multiple methods to manage switches, EnGenius decreases administration time through remote management, visibility, and troubleshooting. Select the most effective management approach based on network architecture, administrative permissions, technical aptitude, or even budget.

Locally Manage – manage each EnGenius switch in a standalone setup from its intuitive user interface that provides full access into all the Layer 2+ switching features.

Remote and Local Management – manage up to **100** EnGenius switches with the plug-and-play SkyKey device, which provides on-premises and subscription-free cloud network management capabilities.

Remote & Local Management – manage **1,000s** of EnGenius switches with ezMaster network software, an on-premises solution utilizing a Virtual Machine server or a private-cloud AWS account that easily configures and maintains multiple customer sites and thousands of devices via ezMaster network management software, all with no license or subscription fees.

Cloud Management – remotely or locally manage an unlimited number of EnGenius switches with EnGenius Cloud, a true license-free cloud management solution that provides quick deployment from anywhere, deep-dive analytics to review system performance, and custom device alerts through a simple to use smart phone app.



EnGenius Cloud-Managed 48-Port and 24-Port Switches



Models	ECS1552FP	ECS1552	ECS1528FP	ECS1528
Network Standards	802.3 10Base-T Ethernet 802.3u 100Base-TX Ethernet 802.3ab 1000Base-T Ethernet 802.3x Full-Duplex Flow Control	802.3u 100Base-TX Ethernet 802.3ab 1000Base-T Ethernet 802.3bz 2500Base-T Ethernet 802.3x Full-Duplex Flow Control	802.3 10Base-T Ethernet 802.3u 100Base-TX Ethernet 802.3ab 1000Base-T Ethernet 802.3x Full-Duplex Flow Control	802.3 10Base-T Ethernet 802.3u 100Base-TX Ethernet 802.3ab 1000Base-T Ethernet 802.3x Full-Duplex Flow Control
10/100/1000 Base-T	48	48	24	24
10/100/1000/2500 Base-T	N/A	N/A	N/A	N/A
10/100/1000/2500 Base-T PoE Ports	N/A	N/A	N/A	N/A
10/100/1000 SFP Ports	N/A	N/A	N/A	N/A
10/100/1000/10000 SFP+ Ports	4 x 10G	4 x 10G	4 x 10G	4 x 10G
Rackmount	19" 1U	19" 1U	19" 1U	19" 1U
Total PoE Budget	740W	N/A	410W	N/A
PoE+ Capable Ports	1-48	N/A	1-24	N/A
Switching Capacity	176 Gbps	176 Gbps	128 Gbps	128 Gbps
Forwarding Mode	Store-and-forward	Store-and-forward	Store-and-forward	Store-and-forward
MAC Address Table	32k	32k	16k	16k
Packet Buffer Memory	2 MB	2 MB	2 MB	2 MB
Power Source	100 to 240 VAC 50/60Hz	100 to 240 VAC 50/60Hz	100 to 240 VAC 50/60Hz	100 to 240 VAC 50/60Hz
Full Load Power	745.61 Watts	745.61 Watts	412.26 Watts	412.26 Watts
VLANs	VID from 1-4094 (Max. 256 groups)	VID from 1-4094 (Max. 256 groups)	VID from 1-4094 (Max. 256 groups)	VID from 1-4094 (Max. 256 groups)

EnGenius Cloud-Managed 8-Port Switches



Models	ECS2512FP	ECS2512	ECS1112FP	ECS1008P
Network Standards	802.3u 100Base-TX Ethernet 802.3ab 1000Base-T Ethernet 802.3bz 2500Base-T Ethernet 802.3x Full-Duplex Flow Control	802.3u 100Base-TX Ethernet 802.3ab 1000Base-T Ethernet 802.3bz 2500Base-T Ethernet 802.3x Full-Duplex Flow Control	802.3 10Base-T Ethernet 802.3u 100Base-TX Ethernet 802.3ab 1000Base-T Ethernet 802.3x Full-Duplex Flow Control	802.3 10Base-T Ethernet 802.3u 100Base-TX Ethernet 802.3ab 1000Base-T Ethernet 802.3x Full-Duplex Flow Control
10/100/1000 Base-T PoE Ports	N/A	N/A	10	8
10/100/1000/2500 Base-T	N/A	8	N/A	N/A
10/100/1000/2500 Base-T PoE Ports	8	N/A	N/A	N/A
10/100/1000 SFP Ports	N/A	N/A	2 X 1G	N/A
10/100/1000/10000 SFP+ Ports	4 x 10G	4 x 10G	N/A	N/A
Rackmount	13" 1U	13" 1U	13" 1U	N/A
Total PoE Budget	240W	N/A	130W	N/A
PoE Capable Ports	1-8 PoE++	N/A	1-8 PoE+	1-8 PoE
Switching Capacity	120 Gbps	120 Gbps	24 Gbps	16 Gbps
Forwarding Mode	Store-and-forward	Store-and-forward	Store-and-forward	Store-and-forward
MAC Address Table	16K	16K	8k	8k
Packet Buffer Memory	512 KB	512 KB	512 KB	512 KB
Power Source	100 to 240 VAC 50/60Hz	100 to 240 VAC 50/60Hz	100 to 240 VAC 50/60Hz	100 to 240 VAC 50/60Hz
Full Load Power	440.78 Watts	440.78 Watts	228.10 Watts	63.18 Watts
VLANs	VID from 1-4094 (Max. 256 groups)	VID from 1-4094 (Max. 256 groups)	VID from 1-4094 (Max. 256 groups)	VID from 1-4094 (Max. 256 groups)

Technical Specifications

Port Standards

ECS1008P/ECS1112FP/ECW1528/ECS1528FP/ ECS1552/ECS1552FP

802.3 10Base-T Ethernet

802.3u 100Base-TX Ethernet

802.3ab 1000Base-T Ethernet

802.3x Full-Duplex Flow Control

ECS2512/ECS2512FP

802.3 10Base-T Ethernet

802.3u 100Base-TX Etherne

802.3ab 1000Base-T Ethernet

802.3bz 2500Base-T Ethernet

802.3x Full-Duplex Flow Control

Network Ports

ECS1008P

8 10/100/1000 Mbps Ports

ECS1112FP

10 10/100/1000 Mbps Ports + 2x SFP Ports

ECW1528/ECS1528FP

24 10/100/1000 Mbps Ports + 4x SFP+ Ports

ECS1552/ECS1552FP

48 10/100/1000 Mbps Ports + 4x SFP+ Ports

ECS2512/ECS2512FP

8 10/100/1000/2500 Mbps Ports + 4x SFP+ Ports

Switching Capacity

ECS1008P

16Gbps

ECS1112FP

24Gbps

ECW1528/ECS1528FP

128Gbps

ECS1552/ECS1552FP

176Gbps

ECS2512/ECS2512FP

120Gbps

SDRAM

ECS1008P/ECS1112FP

256MB

ECW1528/ECS1528FP/ECS1552/ECS1552FP/ ECS2512/ECS2512FP

512MB

Flash Memory

ECS1008P/ECS1112FP

32MB

ECW1528/ECS1528FP/ECS1552/ECS1552FP/ ECS2512/ECS2512FP

128MB

PoE Capable Ports

ECS1008P

1-8 (802.3af only)

ECS1112FP

1-8 (802.3at/af)

ECS1528FP

1-24 (802.3at/af)

ECS1552FP

1-48 (802.3at/af)

ECS2512FP

1-24 (802.3bt/at/af)

Total PoE Budget

ECS1008P

55W

ECS1112FP

130W

ECS1528FP

410W

ECS1552FP

740W

ECS2512FP

240W

Power Source

ECS1008P/ECS1112FP/ECW1528/ECS1528FP/ ECS1552/ECS1552FP/ECS2512/ECS2512FP

100 ~ 240VAC, 50-60Hz

Physical Interface

LED Indicators

ECS1008P/ECS1112FP/ECW1528/ECS1528FP/ ECS1552/ECS1552FP/ECS2512/ECS2512FP

Power LED

Fault LED

PoE Max LED

LAN Mode LED

PoE Mode LED

Ports

ECS1008P/ECS1112FP/ECW1528/ECS1528FP/ ECS1552/ECS1552FP/ECS2512/ECS2512FP

Link/Activity/Speed (per Ethernet port)

Link/Activity/Speed (per SFP slot)

Software Features(L3 Feature)

Multiple IP Interface

ECS1008P/ECS1112FP/ECW1528/ECS1528FP/ ECS1552/ECS1552FP/ECS2512/ECS2512FP

20 IPv6 address

ARP Table

ECS1008P/ECS1112FP/ECW1528/ECS1528FP/ ECS1552/ECS1552FP/ECS2512/ECS2512FP

Max. 192 ARP entries

Static ARP

ECS1008P/ECS1112FP/ECW1528/ECS1528FP/ ECS1552/ECS1552FP/ECS2512/ECS2512FP

Static 192 ARP entries

IPv4 Static Route

ECS1008P/ECS1112FP/ECW1528/ECS1528FP/ ECS1552/ECS1552FP/ECS2512/ECS2512FP

Max. 63 entries

IPv6 Static Route

ECS1008P/ECS1112FP/ECW1528/ECS1528FP/ ECS1552/ECS1552FP/ECS2512/ECS2512FP

Max. 21 entries

Software Features(L2 Feature)

Network Management

ECS1008P/ECS1112FP/ECW1528/ECS1528FP/ ECS1552/ECS1552FP/ECS2512/ECS2512FP

EnGenius Cloud

ezMaster

Local Web GUI

MAC Address Table

ECS1008P/ECS1112FP

8K

ECS1528/ECS1528FP/ECS2512/ECS2512FP

16K

ECS1552/ECS1552FP

32K

Jumbo Frame

ECS1008P/ECS1112FP/ECW1528/ECS1528FP/ ECS1552/ECS1552FP/ECS2512/ECS2512FP

9K

Multicast Group

ECS1008P/ECS1112FP/ECW1528/ECS1528FP/ ECS1552/ECS1552FP/ECS2512/ECS2512FP

Max 256 groups

MLD Snooping

ECS1008P/ECS1112FP/ECW1528/ECS1528FP/ ECS1552/ECS1552FP/ECS2512/ECS2512FP

MLD Snooping: v1

QoS-Number of Priority Queues Supported

ECS1008P/ECS1112FP/ECW1528/ECS1528FP/ ECS1552/ECS1552FP/ECS2512/ECS2512FP

Queue 8

Trust Mode

ECS1008P/ECS1112FP/ECW1528/ECS1528FP/ ECS1552/ECS1552FP/ECS2512/ECS2512FP

Cos/802.1p

DSCP

CoS/802.1p-DSCP

Scheduling Mechanism

ECS1008P/ECS1112FP/ECW1528/ECS1528FP/ ECS1552/ECS1552FP/ECS2512/ECS2512FP

Strict / WRR/ Strict + WRR

Bandwidth Control

ECS1008P/ECS1112FP/ECW1528/ECS1528FP/ ECS1552/ECS1552FP/ECS2512/ECS2512FP

Technical Specifications continued

Port-based bandwidth control (Ingress/Egress)

Port Security

**ECS1008P/ECS1112FP/ECW1528/ECS1528FP/
ECS1552/ECS1552FP/ECS2512/ECS2512FP**

Max. 256 Entries

Access Control List (ACL)

**ECS1008P/ECS1112FP/ECW1528/ECS1528FP/
ECS1552/ECS1552FP/ECS2512/ECS2512FP**

MAC Based ACL

IPv4/IPv6 Based ACL

ACL Binding

Time base ACL

Web Graphical User Interface(GUI)

**ECS1008P/ECS1112FP/ECW1528/ECS1528FP/
ECS1552/ECS1552FP/ECS2512/ECS2512FP**

HTTP IPv4 / IPv6

HTTPS IPv4 / IPv6

SSL Certificate

**ECS1008P/ECS1112FP/ECW1528/ECS1528FP/
ECS1552/ECS1552FP/ECS2512/ECS2512FP**

Certificate/Key Import

SNMP

**ECS1008P/ECS1112FP/ECW1528/ECS1528FP/
ECS1552/ECS1552FP/ECS2512/ECS2512FP**

SNMP v1/v2c/v3 Support

RMON

**ECS1008P/ECS1112FP/ECW1528/ECS1528FP/
ECS1552/ECS1552FP/ECS2512/ECS2512FP**

RMON 1,2,3,9

System Time

**ECS1008P/ECS1112FP/ECW1528/ECS1528FP/
ECS1552/ECS1552FP/ECS2512/ECS2512FP**

Time Setting/Daylight saving

Common L2 Features

**ECS1008P/ECS1112FP/ECW1528/ECS1528FP/
ECS1552/ECS1552FP/ECS2512/ECS2512FP**

802.1d Spanning tree

Loopback Detection

Multicast Filtering

IGMP Multicast Forwarding

IGMP Snooping

MLD Multicast Forwarding

802.1Q VLAN tagging

802.3x flow control

802.3ad Link Aggregation

IPv4 DHCP Relay

IPv4 DHCP Snooping

IPv4 DHCP Snooping Source MAC Address Check-up

ARP Inspection

ARP Packet Validation (additional validation checks)

Voice VLAN

Port-based VLAN

Protocol-Based VLAN

CoS Mapping

802.1X Radius Authentication Protocol

IPv4 Settings

IPv6 Settings

IEEE 802.3az Energy Efficient Ethernet (EEE)

Command Line Interface (CLI)

SSH Server

Telnet Server

TFTP Client

Configuration Upgrade/ Backup

Simple Network Time Protocol (SNTP)

SYSLOG

802.1d Spanning tree

Environmental & Physical

Temperature Range

ECS1008P

Operating: 32°F to 104°F (0°C to 40°C)

**ECS1112FP/ECW1528/ECS1528FP/ECS1552/ECS-
1552FP/ECS2512/ECS2512FP**

Operating: 32°F to 122°F (0°C to 50°C)

Humidity (Non-Condensing)

**ECS1008P/ECS1112FP/ECW1528/ECS1528FP/
ECS1552/ECS1552FP/ECS2512/ECS2512FP**

Operating: 5% - 95%

Package Contents

ECS1008P

1x ECS Managed Gigabit Switch

1x Quick Installation Guide

1x Power Adapter

1x Power Cord

1x Wall Mount Kit

1x Ground Screw Set

**ECS1112FP/ECW1528/ECS1528FP/ECS1552/
ECS1552FP**

1x ECS Managed Gigabit Switch

1x Quick Installation Guide

1x Power Cord

1x RJ45 Console Cable

1x Rack Mount Kit

ECS2512FP/ECS2512

1x ECS Managed Multi-Gigabit Switch

1x Quick Installation Guide

1x Power Cord

1x RJ45 Console Cable

1x Rack Mount Kit

Device Dimensions & Weights

ECS1008P

Weight: 1.36 lbs. (620 g)

Length: 9.44" (240 mm)

Width: 4.13" (105 mm)

Height: 1.06" (27 mm)

ECS1112FP

Weight: 4.4 lbs. (1.9 kg)

Width: 13" (330.20 mm)

Length: 9" (228.60 mm)

Height: 1.73" (43.94 mm)

ECS1528

Weight: 5.93 lbs. (2.69 kg)

Width: 17.32" (440 mm)

Depth: 7.87" (200 mm)

Height: 1.73" (44 mm)

ECS1528FP

Weight: 8.5 lbs. (3.9 kg)

Width: 17.32" (440 mm)

Depth: 10.23" (260 mm)

Height: 1.73" (44 mm)

ECS1552

Weight: 8.17 lbs. (3.71 kg)

Width: 17.32 lbs. (440 mm)

Length: 10.23 lbs. (260 mm)

Height: 1.73 lbs. (44 mm)

ECS1552FP

Weight: 10.5 lbs. (4.76 kg)

Width: 17.32" (440 mm)

Length: 10.23" (260 mm)

Height: 1.73" (44 mm)

ECS2512

Weight: 5.7 lbs (2.6 kg)

Width: 9.05" (230 mm)

Length: 12.99" (330 mm)

Height: 1.73" (44 mm)

ECS2512FP

Weight: 5.7 lbs (2.6 kg)

Width: 9.05" (230 mm)

Length: 12.99" (330 mm)

Height: 1.73" (44 mm)

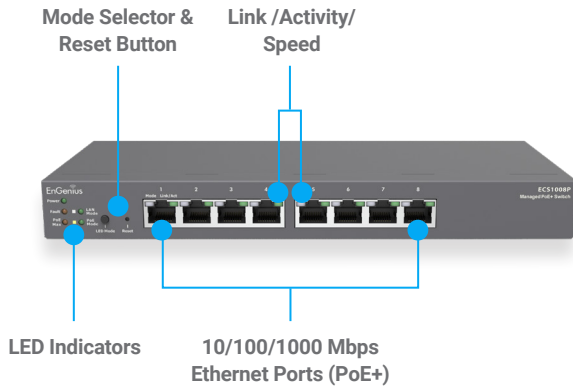
Warranty

**ECS1008P/ECS1112FP/ECW1528/ECS1528FP/
ECS1552/ECS1552FP/ECS2512/ECS2512FP**

2 year

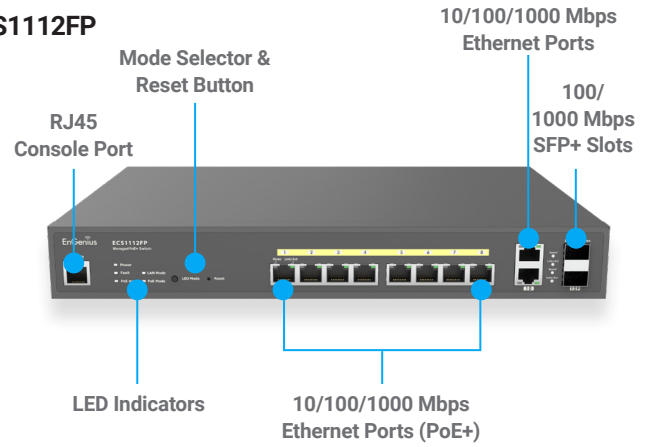
Desktop

ECS1008P

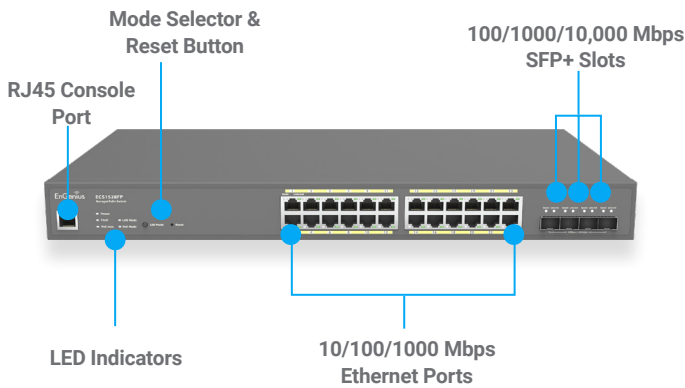


Rackmount

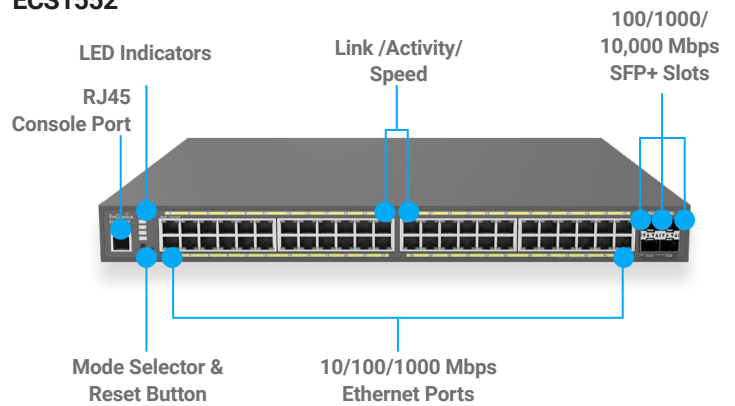
ECS1112FP



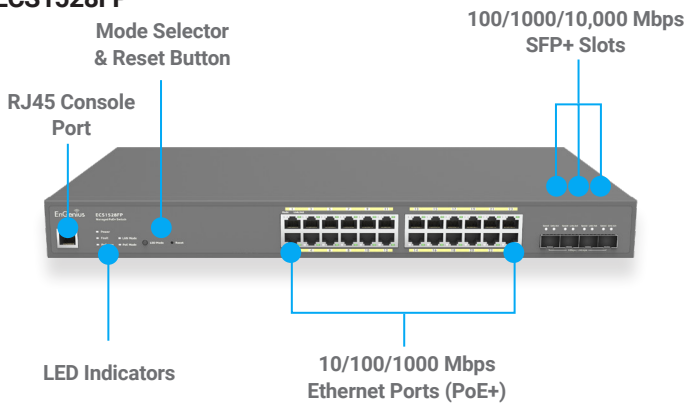
ECS1528



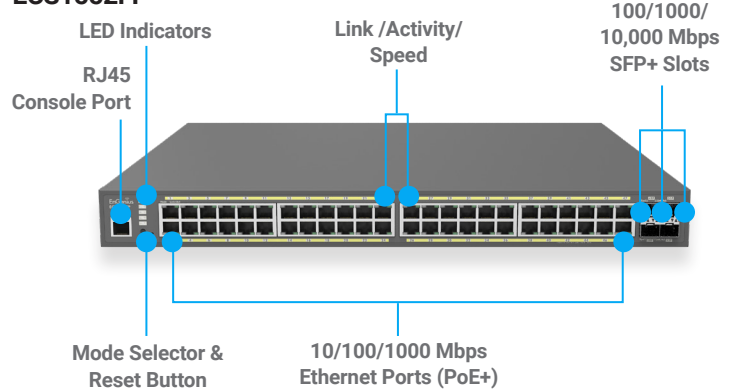
ECS1552



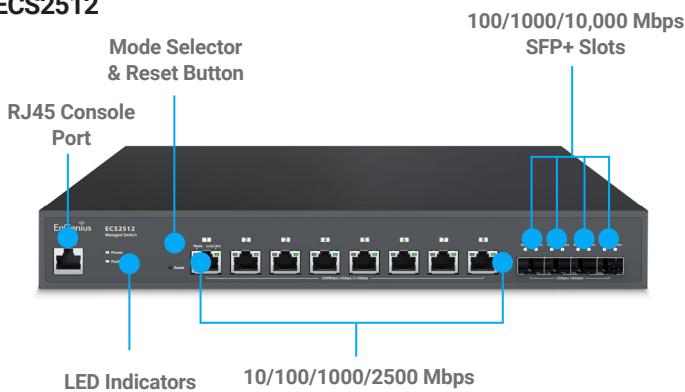
ECS1528FP



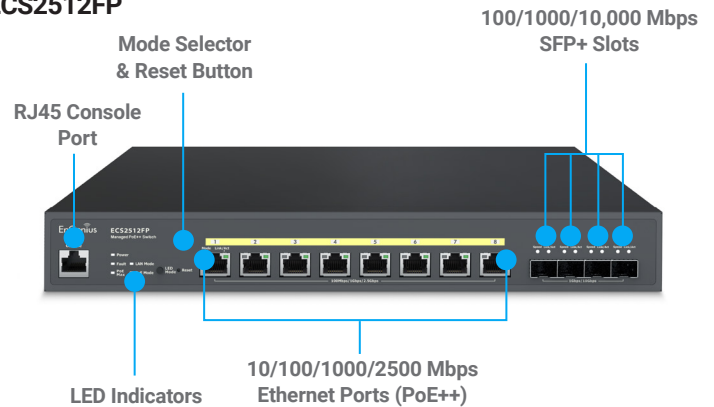
ECS1552FP



ECS2512



ECS2512FP



EnGenius Technologies | 1580 Scenic Ave. Costa Mesa, CA 92626

Email: partners@engeniustech.com | Website: engeniustech.com

Version 1.01 5/22/2020

Maximum data rates are based on IEEE 802.11 standards. Actual throughput and range may vary depending on distance between devices or traffic and bandwidth load in the network.

Features and specifications subject to change without notice. Trademarks and registered trademarks are the property of their respective owners. For United States of America: Copyright ©2019 EnGenius Technologies, Inc. All rights reserved.