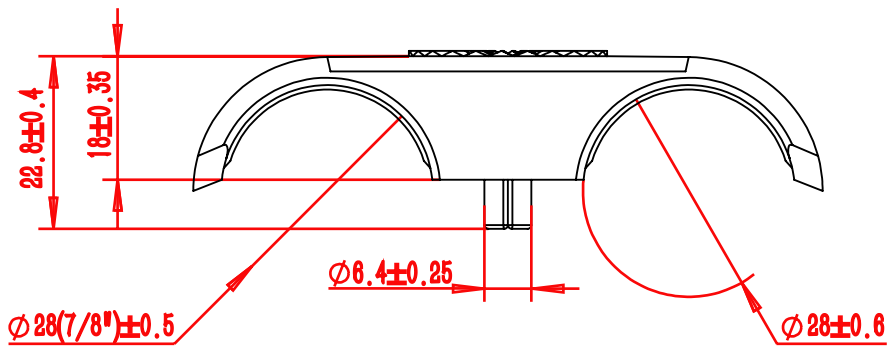
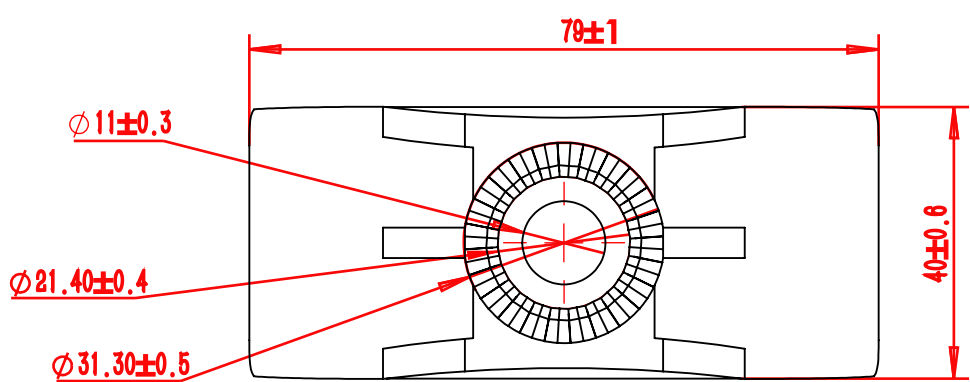
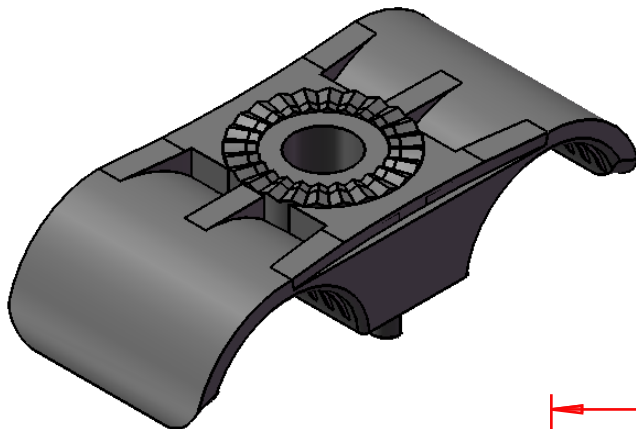


说明
日期
审核
绘制
版本

REV	EAC NO.	DESCRIPTION



Technical requirements:
 1, smooth surface without burr;
 2, the color is black;
 3. The material is PP.

MAXDAO

江苏迈道通信科技有限公司

TITLE: 78x2 Coax Support Block

MAXDAO LIMITED RESERVES THE RIGHT TO CHANGE SPECIFICATION OR CONFIGURATION WITHOUT PRIOR NOTIFICATION. THESE DRAWINGS AND SPECIFICATIONS ARE THE PROPERTY OF MAXDAO LIMITED AND SHOULD NOT BE REPRODUCED OR COPIED WITHOUT WRITTEN PERMISSION.

DRAW: JZK	DATE: 2017/02/24	UNITS: mm	DWG NO.: 10000644	DWG VER: A
CHKD:	DATE:	FINISH:	ITEM NO.:	ITEM REV:
VRFD:	DATE:	MASS(Kg):		
APPD:	DATE:	SCALE: 1:1	MAT'L: PP	
PRODUCT:		SHEET: 1 OF 1		

RELEASE LEVEL:
FILE NAME:

A4