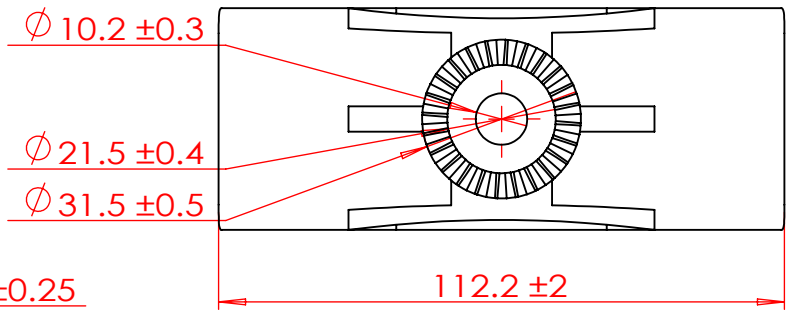
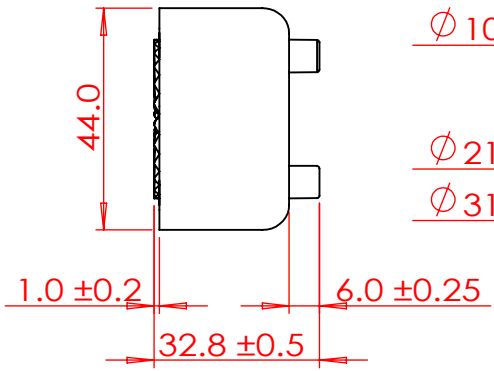
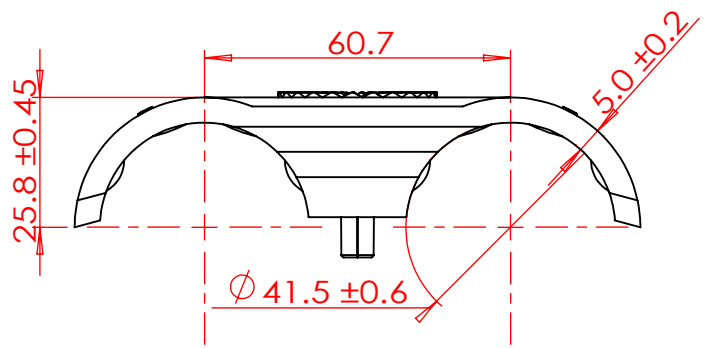
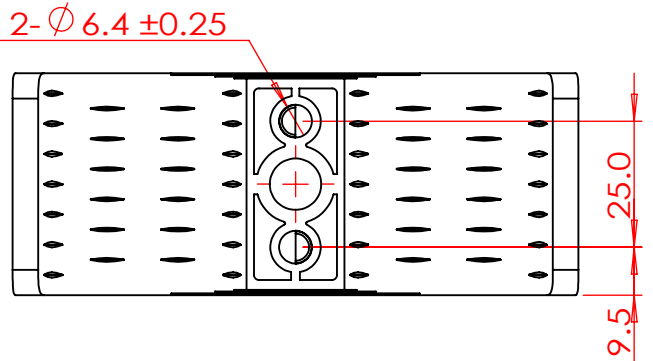
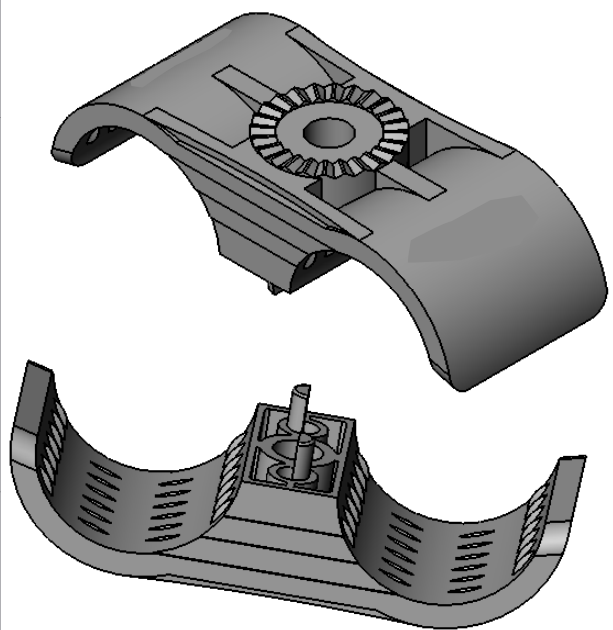


说明
日期
审核
绘制
版本

REV	EAC NO.	DESCRIPTION



Technical requirements:
 1, smooth surface without burr;
 2, the color is black;
 3, the material is PP new material;
 4, the surface of the frosted treatment, the surface without knife lines, no strain;
 5, the feed mouth protruding plastic card surface ≤0.5mm.

MAXDAO

江苏迈道通信科技有限公司

TITLE:
1-1/4x2 Coax Support Block

MAXDAO LIMITED RESERVES THE RIGHT TO CHANGE SPECIFICATION OR CONFIGURATION WITHOUT PRIOR NOTIFICATION. THESE DRAWINGS AND SPECIFICATIONS ARE THE PROPERTY OF MAXDAO LIMITED AND SHOULD NOT BE REPRODUCED OR COPIED WITHOUT WRITTEN PERMISSION.

DRAW: JZK	DATE: 2017-02-25	UNITS: mm	DWG NO.: 10000646	DWG VER: B
CHKD:	DATE:	FINISH:	ITEM NO.:	ITEM REV:
VRFD:	DATE:	MASS(Kg): 0.042		
APPD:	DATE:	SCALE: 1:1		
PRODUCT:		SHEET: 1 OF 1	MAT'L: PP	

RELEASE LEVEL:
FILE NAME:

A4