

# SAS32R SPEAKER SIREN SYSTEM W/ SW300 CONTROL SWITCH & MIC SET

— Installation & Operation Manual —



## NOTICE TO INSTALLER

**Before installation and operation -- read all instructions and warnings.  
Deliver this manual to the end user of this equipment.**

# TABLE OF CONTENTS

|                                  |   |
|----------------------------------|---|
| INSTALLATION.....                | 2 |
| MOUNTING.....                    | 3 |
| WIRING.....                      | 5 |
| CONTROLLER FUNCTION.....         | 6 |
| PA BROADCAST.....                | 7 |
| LOW VOLTAGE PROTECTION MODE..... | 7 |

# INSTALLATION

- Proper installation of the product requires the installer to have a good understanding of automotive electronics, systems and procedures. It is essential to install the unit properly to ensure safe and reliable operation.
- Please read through all instructions thoroughly and carefully before installing the unit.
- Failure to follow these instructions could result in serious damage to the unit or vehicle and may void warranties.
- The correct mounting and wiring is the key to the effectiveness of SAS32R & SW300. Installers must read and follow installation instructions and warnings in the manual from the original manufacturer.
- The operator should verify the siren system is fastened to the vehicle securely and is functioning properly. Failure to follow all safety precautions and instructions may cause property damage, injury, or death.
- Ensure that any switch control panel is located in an area that allows both the vehicle and the control panel to be operated safely in any driving condition.

**CONTENTS:** The installer must have good knowledge of electricity, vehicle electrical systems and emergency equipment. Always seek professional assistance if in doubt.

## WARNING



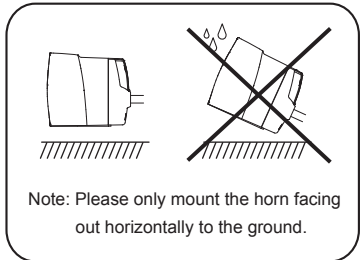
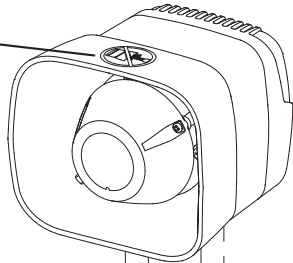
**Sound Hazard** - Sound level from siren speaker (109dB at 2M) may cause hearing damage.

Do not operate siren without adequate hearing protection for you and anyone in immediate vicinity.  
(Ref. OSHA 1910.95 for occupational noise exposure guidelines)

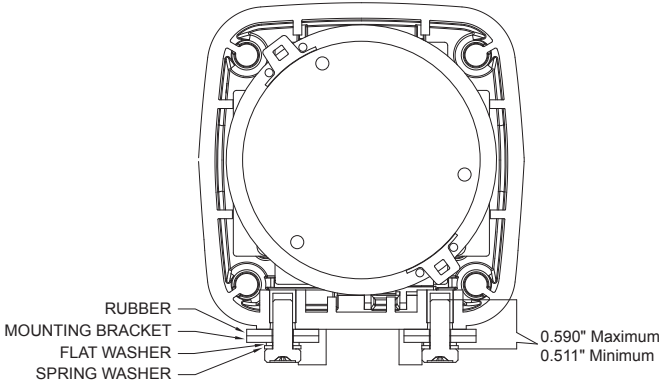
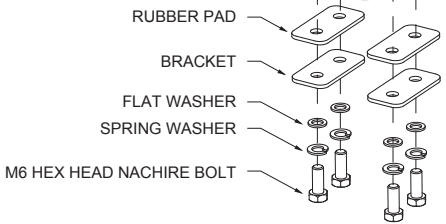
# MOUNTING

## • Speaker Siren Unit

Secure the mounting bracket to an appropriate and suitable area.



Note: Please only mount the horn facing out horizontally to the ground.



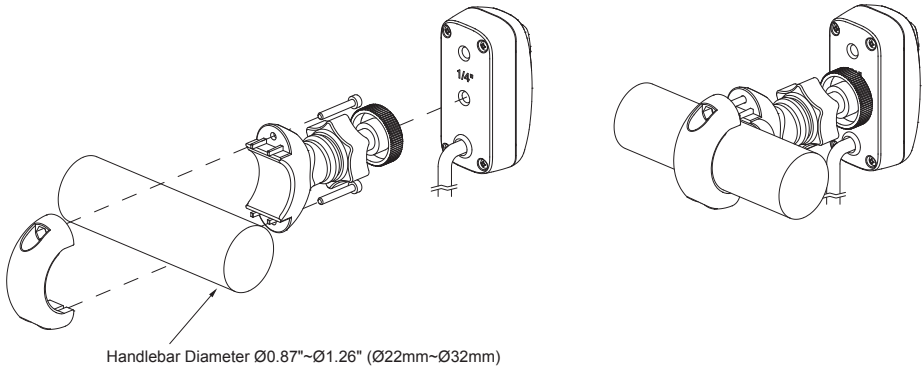
### ⚠ WARNING

- Permanent mounting of this product may require drilling. It is necessary to make sure that no other vehicle components could be damaged by this process. Check both sides of the mounting surface before drilling.
- Siren Speaker must only be mounted horizontally to the ground. Fail to follow may cause undesired water to ingress into speaker, damage to the product and void the warranty.

## • Switch Panel

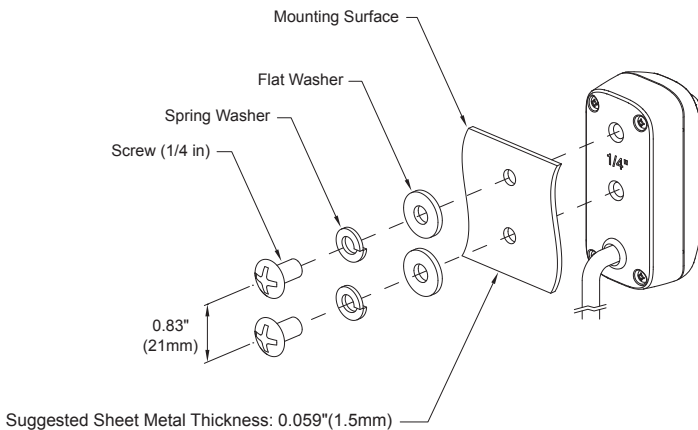
### Handlebar Mount:

Select a mounting location that will not interfere or impede the operation and/or function of any existing equipment. Securely mount the switch using the provided handlebar clamp.

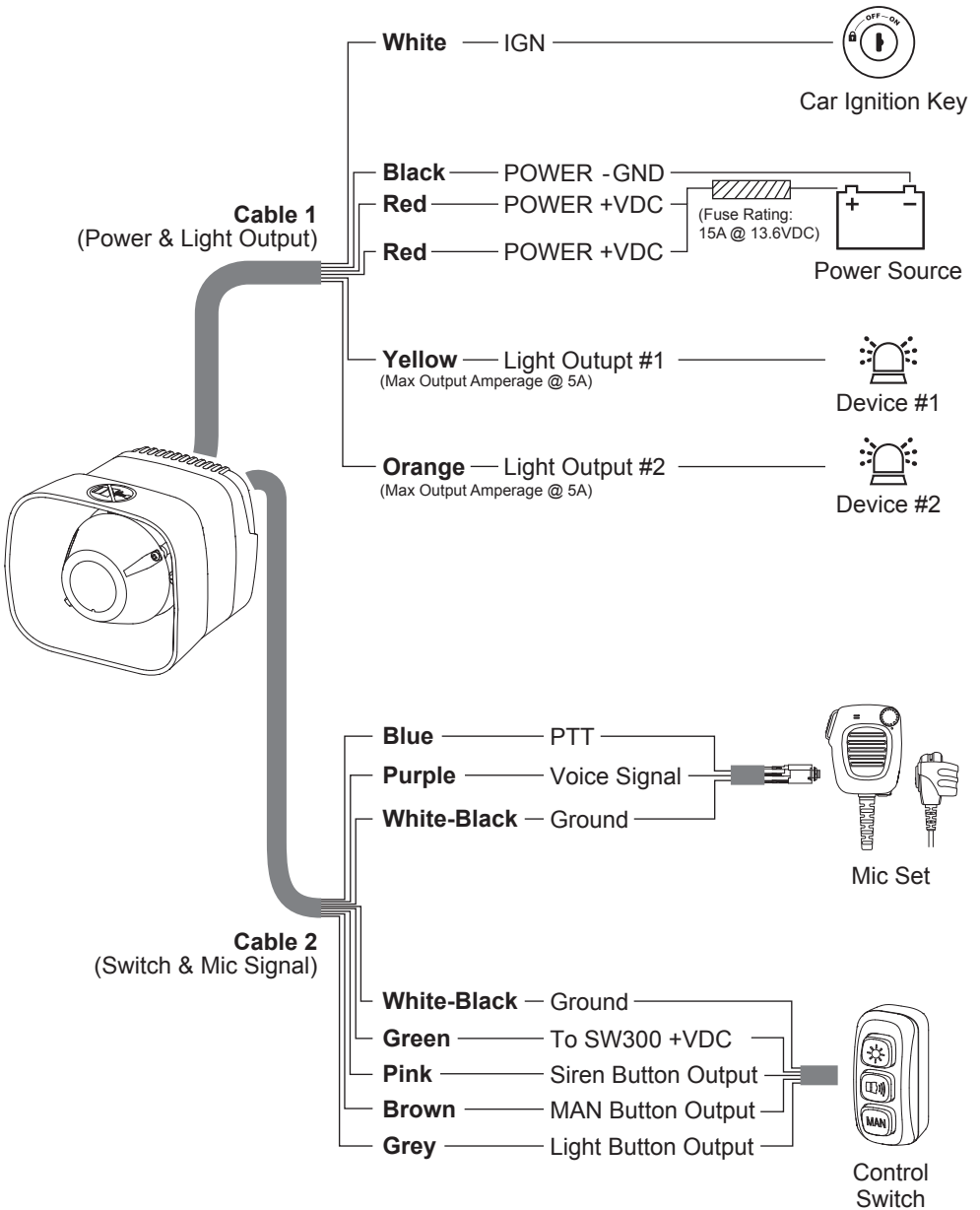


### Surface Mount:

When installing surface mount, make sure to consider the thickness of the mounting surface and washer. The installer must use the supplied screws to match the rear threaded insert of the Switch Panel. Fail to do so may cause damage to the product and void the warranty.



# WIRING

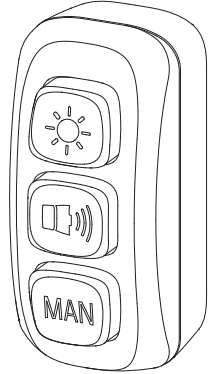


# CONTROLLER FUNCTION



## Light Output

1. At any moment, short press once to activate or inactivate all Light output #1 & #2 together.
2. While all light outputs are activated, long press to activate only Light output #1.
3. While only front output is activated, long press again to activate only Light output #2.
4. While only rear output is activated, long press again to activate both Light output #1 & #2 together.



## Siren Tone

1. Press once to turn the siren on in WAIL tone.
2. While siren is activated, press again once to cycle through all available tones.

| # | Standard Tone |
|---|---------------|
| 1 | WAIL          |
| 2 | YELP          |
| 3 | PHASER        |
| 4 | HILO          |

3. While siren is activated, long press to disable siren tone.



## Manual

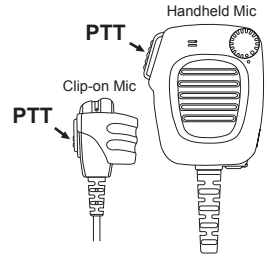
1. If siren tone is not activated, press and hold for Manual WAIL tone. WAIL tone will ramp up to peak and hold till button is released (or cut-off before it peaks).
2. If a siren tone is activated, press and hold for "Tone-Change". The Siren will return back to the previous tone when button is released.

| Siren Tone | "ToneChange" |
|------------|--------------|
| WAIL       | YELP         |
| YELP       | PHASER       |
| PHASER     | HILO         |
| HILO       | PHASER       |

# PA BROADCAST

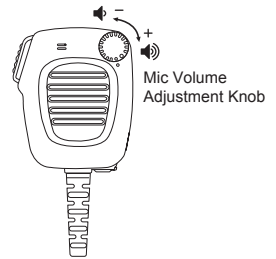
## PA Activation

Press “Push-to-Talk” button on the side of the Mic to activate PA broadcasting. PA broadcasting will override all current Siren Tone. Action will resume when PTT is released.



## Mic Volume Adjustment Knob (available on selected mic model only)

The knob located on the top right corner of the controller will adjust mic volume (high or low). Turn clockwise for high volume; turn anticlockwise for low volume.



# LOW VOLTAGE PROTECTION MODE

While unit is in operation, whenever power voltage drops under 11.6VDC for over 10 seconds, SW300 controller will blink to notify Low Voltage issue is at presence; all controller function will be disabled.

If Low Voltage issue continued for another 10 seconds, all Siren function will be disabled automatically and entre Low Voltage Protection Mode.

While unit is in Low Voltage Protection Mode, if power voltage resumes back to 13VDC and above for over 10 seconds, Siren unit will exit Low Voltage Protection Mode and back to its default standby.