

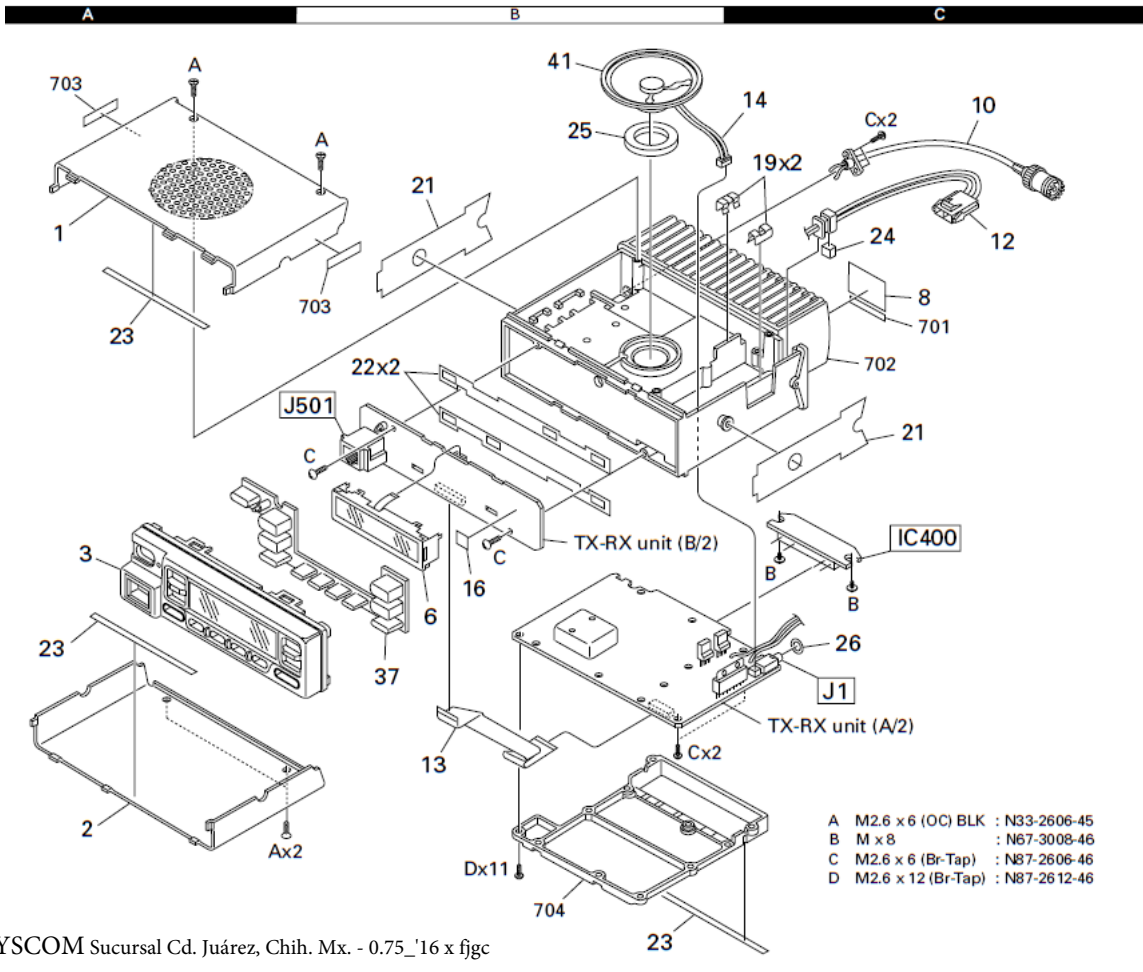
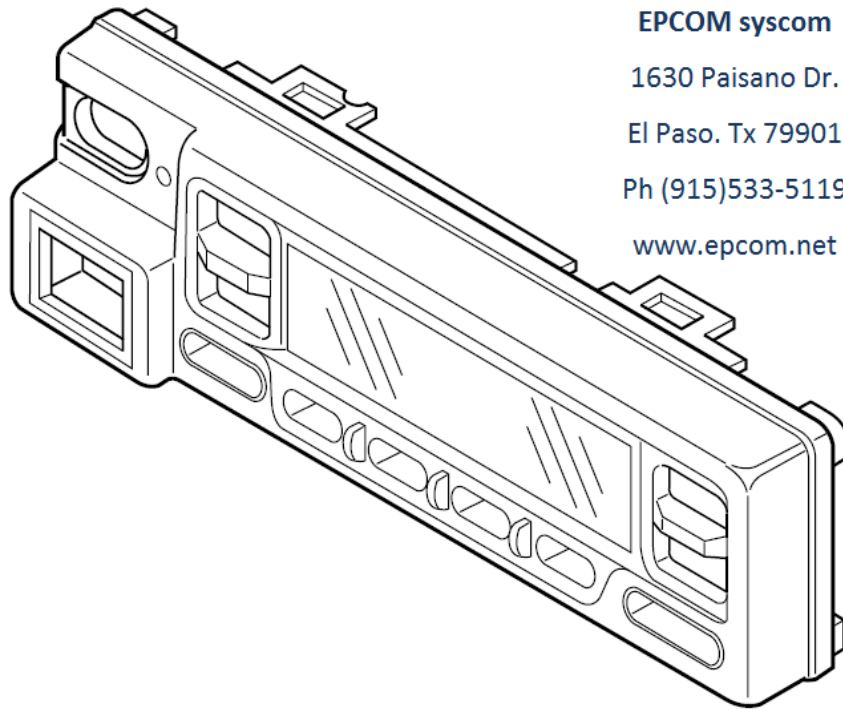
EPCOM syscom

1630 Paisano Dr.

El Paso. Tx 79901

Ph (915)533-5119


www.epcom.net



EXPLODED VIEW

# TK-780/H

## PARTS LIST

\* New Parts.  indicates safety critical components.  
 Parts without **Parts No.** are not supplied.  
 Les articles non mentionnés dans le **Parts No.** ne sont pas fournis.  
 Teile ohne **Parts No.** werden nicht geliefert.

L : Scandinavia      K : USA      P : Canada  
 Y : PX (Far East, Hawaii)      T : England      E : Europe  
 Y : AAFES (Europe)      X : Australia      M : Other Areas

TK-780/H  
 TX-RX UNIT (X57-6480-XX)



Ref. No.	Address	New parts	Parts No.	Description	Destination	Ref. No.	Address	New parts	Parts No.	Description	Destination
<b>TK-780/780H</b>											
1	1A		A01-2165-13	CABINET TOP		C17			CK73GB1C104K	CHIP C 0.10UF K	
2	2A		A01-2166-13	CABINET BOTTOM		C18			C92-0507-05	CHIP-TAN 4.7UF 6.3WV	
3	2A	*	A62-0991-03	PANEL ASSY		C19			CC73GCH1H100D	CHIP C 10PF D	
5	1D		B09-0235-05	CAP ACC		C20			CK73GB1E103K	CHIP C 0.010UF K	
6	2B		B38-0814-05	LCD ASSY		C21,22			CK73GB1H102K	CHIP C 1000PF K	
7	2D	*	B62-1549-00	INSTRUCTION MANUAL		C23			C92-0507-05	CHIP-TAN 4.7UF 6.3WV	
8	1C	*	B72-1626-24	MODEL NAME PLATE	HK	C24			CK73GB1H102K	CHIP C 1000PF K	
8	1C	*	B72-1674-24	MODEL NAME PLATE	HK2	C25			C92-0507-05	CHIP-TAN 4.7UF 6.3WV	
8	1C	*	B72-2016-04	MODEL NAME PLATE	K	C27			CK73GB1H102K	CHIP C 1000PF K	
8	1C	*	B72-2017-04	MODEL NAME PLATE	K2	C28			CC73GCH1H470J	CHIP C 47PF J	
10	1C		E30-2145-15	ANTENNA CABLE		C29			C92-0628-05	CHIP-TAN 10UF 10WV	
11	1D	*	E30-3339-05	DC CORD ACC		C30			CK73GB1H102K	CHIP C 1000PF K	
12	1C	*	E30-3340-05	DC CORD RADIO		C31			C92-0628-05	CHIP-TAN 10UF 10WV	
13	2B		E37-0789-05	FLAT CABLE CONT-TXRX		C32			CC73GCH1H220J	CHIP C 22PF J	
14	1B	*	E37-0790-25	LEAD WIRE WITH CONNECTOR (SP)		C33			CK73GB1E103K	CHIP C 0.010UF K	
16	2B	*	F20-1192-04	INSULATING SHEET		C34			C92-0694-05	CHIP C 10UF 16WV	
17	1D		F51-0016-05	FUSE (6*30) 10A	K,K2	C35			CK73GB1E103K	CHIP C 0.010UF K	
17	1D		F51-0017-05	FUSE (6*30) 15A	HK,HK2	C36			C92-0628-05	CHIP-TAN 10UF 10WV	
19	1C		G02-0791-04	FLAT SPRING AF,APC,AVR		C37			C92-1341-05	ELECTRO 100UF 16WV	
21	1B,1C	*	G10-1221-04	FIBROUS SHEET SIDE		C38			C92-0694-05	CHIP C 10UF 16WV	
22	1B	*	G10-1222-14	FIBROUS SHEET UP DOWN		C39			CK73GB1E103K	CHIP C 0.010UF K	
23	1A,2A,2B	*	G10-1223-14	FIBROUS SHEET SHIELD		C40			CK73GB1H102K	CHIP C 1000PF K	
24	1C		G13-1468-04	CUSHION DC CORD		C41			C92-1341-05	ELECTRO 100UF 16WV	
25	1B		G13-1873-04	CUSHION SP		C42			C92-0546-05	CHIP-TAN 68UF 6.3WV	
26	2C		G53-0796-04	PACKING PHONE JACK		C43			CK73GB1E103K	CHIP C 0.010UF K	
28	3D	*	H10-6618-12	POLYSTYRENE FOAMED FIXTURE (F)	K,K2	C44			CK73GB1H102K	CHIP C 1000PF K	
29	2E	*	H10-6619-12	POLYSTYRENE FOAMED FIXTURE (B)	K,K2	C45			C92-0507-05	CHIP-TAN 4.7UF 6.3WV	
29	3D		H10-6628-02	POLYSTYRENE FOAMED FIXTURE (B)	HK,HK2	C46			C92-0004-05	CHIP-TAN 1.0UF 16WV	
28	2E		H10-6629-02	POLYSTYRENE FOAMED FIXTURE (F)	HK,HK2	C47			CK73GB1H102K	CHIP C 1000PF K	
30	1D		H12-1391-03	INNER PACKING CASE		C48			CK73FF1C105Z	CHIP C 1.0UF Z	
31	1D,2E		H25-0720-04	PROTECTION BAG (200X350)		C49			CK73GB1H102K	CHIP C 1000PF K	
32	3E	*	H52-1257-02	ITEM CARTON CASE	K,K2	C51,52			CK73GB1H102K	CHIP C 1000PF K	
32	3E	*	H52-1481-02	ITEM CARTON CASE	HK,HK2	C54			CK73GB1C104K	CHIP C 0.10UF K	
34	2D		J19-1584-05	HOLDER ACC		C55			CC73GCH1H180J	CHIP C 18PF J	
35	1D		J29-0627-23	BRACKET ACC		C56			CK73GB1H102K	CHIP C 1000PF K	
37	2B	*	K29-5284-02	KEY TOP		C57			CK73GB1E103K	CHIP C 0.010UF K	
A	1A,2A		N33-2606-45	OVAL HEAD MACHINE SCREW		C58-60			CK73GB1H102K	CHIP C 1000PF K	
B	2C		N67-3008-46	PAN HEAD SEMS SCREW W		C61			CK73GB1E103K	CHIP C 0.010UF K	
C	1B,1C,2B		N87-2606-46	BRAZIER HEAD TAPTITE SCREW		C62			CC73GCH1H180J	CHIP C 18PF J	
D	2B		N87-2612-46	BRAZIER HEAD TAPTITE SCREW		C63			CK73FF1C105Z	CHIP C 1.0UF Z	
39	2D		N99-0395-05	SCREW SET		C64			CK73GB1E103K	CHIP C 0.010UF K	
						C65			CK73GB1C104K	CHIP C 0.10UF K	
						C66			CK73GB1H102K	CHIP C 1000PF K	
						C68			CK73GB1C104K	CHIP C 0.10UF K	
						C69			CC73GCH1H151J	CHIP C 150PF J	