

EXPLODED VIEW PARTS LIST

KENWOOD



Helical Antenna
(KRA-22: option)

Knob (Selector)
(K29-9408-13)

Knob (Volume)
(K29-9407-03)

Badge
(B43-1606-04)

Knob (PTT)
(K29-9405-03)

Packing (6 key)
(G53-1765-11)

Plastic cabinet assy
(6 key)
(A02-4002-23)

700
Chassis

704
Display unit

701
Cau

2

5

28

2

X54 D23 X54 101
X54 D22
X54 J1
X54 D37

B

4

16

C

C

69 69

8 7

701 702 69 69

28 79 78

53 6

A

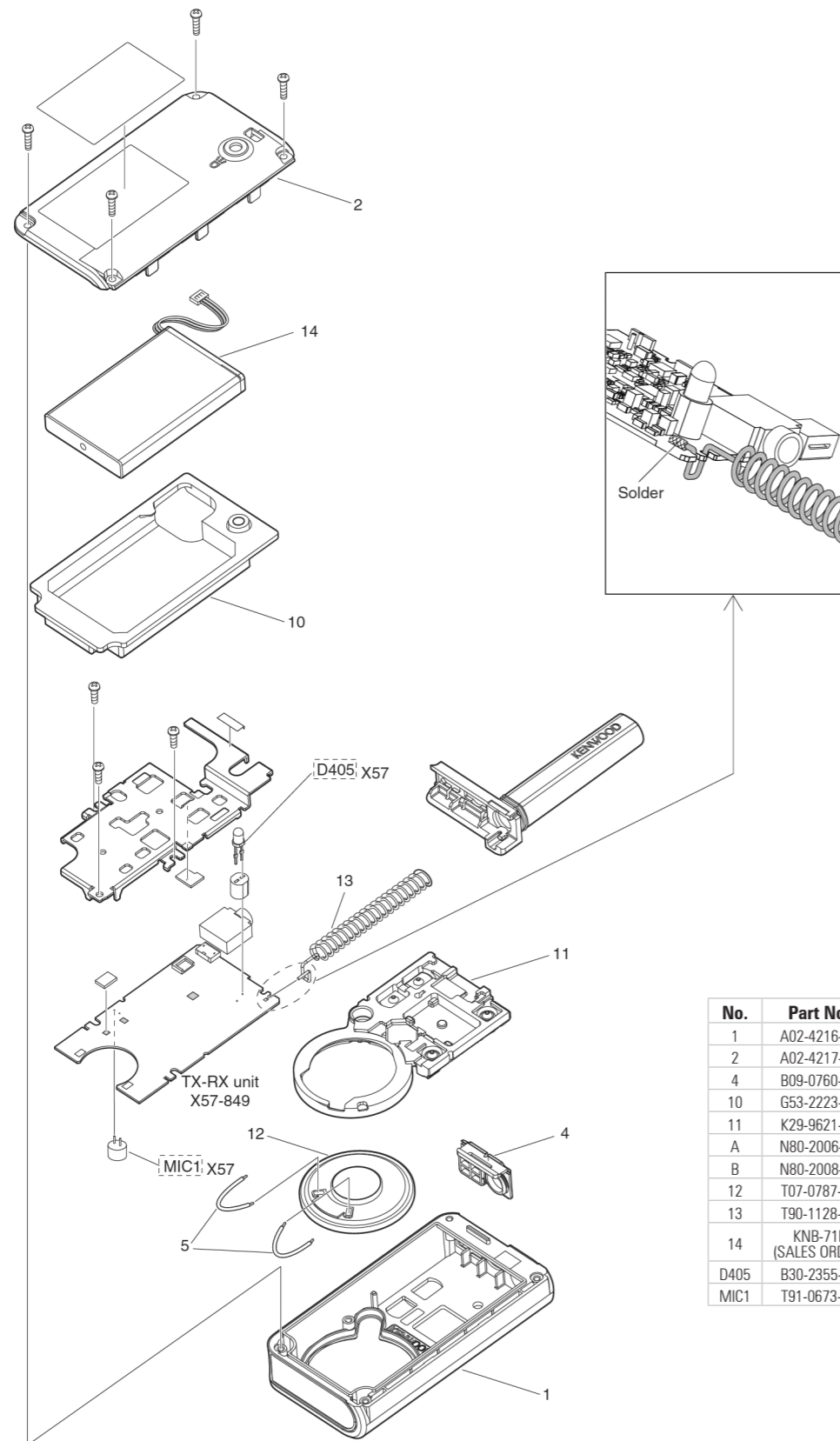
51

49

66

EXPLODED VIEW
PKT-03

KENWOOD

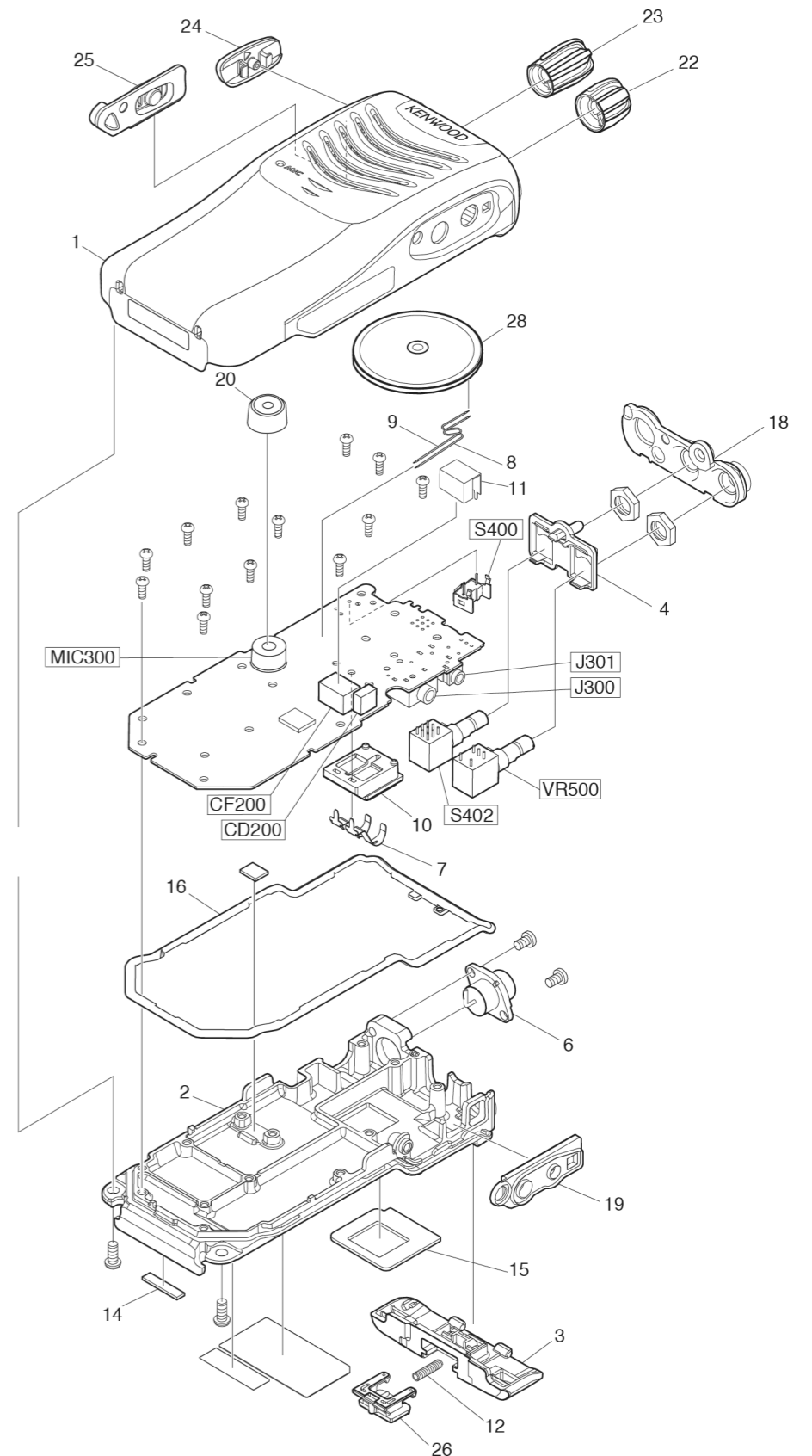


No.	Part No.	Description
1	A02-4216-13	PLASTIC CABINET ASSY (FRONT)
2	A02-4217-02	PLASTIC CABINET (REAR)
4	B09-0760-03	CAP (PHONE/USB)
10	G53-2223-02	PACKING (CABINET)
11	K29-9621-12	KEY TOP
A	N80-2006-48	PAN HEAD TAPTITE SCREW
B	N80-2008-43	PAN HEAD TAPTITE SCREW
12	T07-0787-15	SPEAKER
13	T90-1128-05	ANTENNA ELEMENT
14	KNB-71L (SALES ORDER)	BATTERY PACK
D405	B30-2355-05	LED (WHITE)
MIC1	T91-0673-05	MIC ELEMENT

EXPLODED VIEW
TK-2000 / 3000

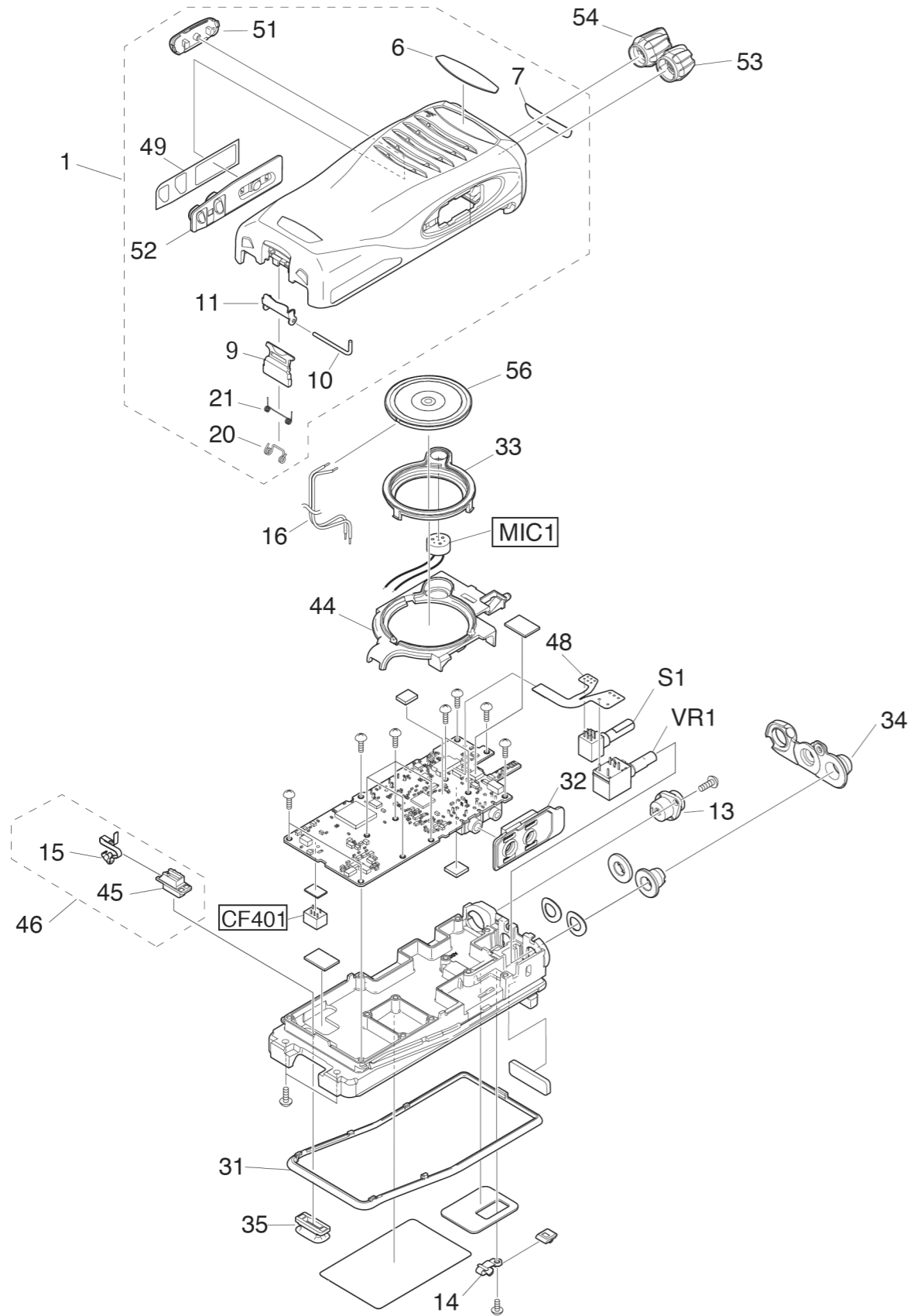
KENWOOD

No.	Part No.	Description
1	A02-4135-03	PLASTIC CABINET ASSY
2	A10-4150-01	CHASSIS
3	A82-0081-02	REAR PANEL
4	B11-1892-03	ILLUMINATION GUIDE
6	E04-0486-05	RF COAXIAL RECEPTACLE (SMA)
7	E23-1364-04	TERMINAL (BATT)
8	E37-1535-05	PROCESSED LEAD WIRE (SP-/BRW)
9	E37-1536-05	PROCESSED LEAD WIRE (SP+/GRE)
10	E72-0436-03	TERMINAL BLOCK
12	G01-4571-04	COIL SPRING
15	G13-2348-04	CUSHION (BATT-TERMINAL)
16	G53-1867-03	PACKING (CHASSIS)
18	G53-1868-02	PACKING (TOP)
19	G53-1869-03	PACKING (JACK)
20	G53-1871-04	PACKING (MIC)
22	K29-9487-03	KNOB (VOL)
23	K29-9488-03	KNOB (SELECTOR)
24	K29-9489-03	KNOB (PTT)
25	K29-9490-03	BUTTON KNOB (SIDE)
26	K29-9491-03	LEVEL KNOB (BATTERY)
A	N09-2438-05	BINDING HEAD SCREW (ANT)
B	N30-2606-48	PAN HEAD MACHINE SCREW (CABINE)
C	N83-2005-48	PAN HEAD TAPTITE SCREW (X57)
28	T07-0787-05	SPEAKER
J300	E11-0484-05	3.5D PHONE JACK (3.5D/MIC)
J301	E11-0717-05	2.5D PHONE JACK (2.5D/SP)
CF200	L72-1046-05	CERAMIC FILTER (450KHZ)
CD200	L79-1914-05	CERAMIC DISCRIMINATOR
VR500	R31-0684-05	VARIABLE RESISTOR
S402	S60-0447-05	ROTARY SWITCH (SELECTOR)
MIC300	T91-0674-05	MIC ELEMENT



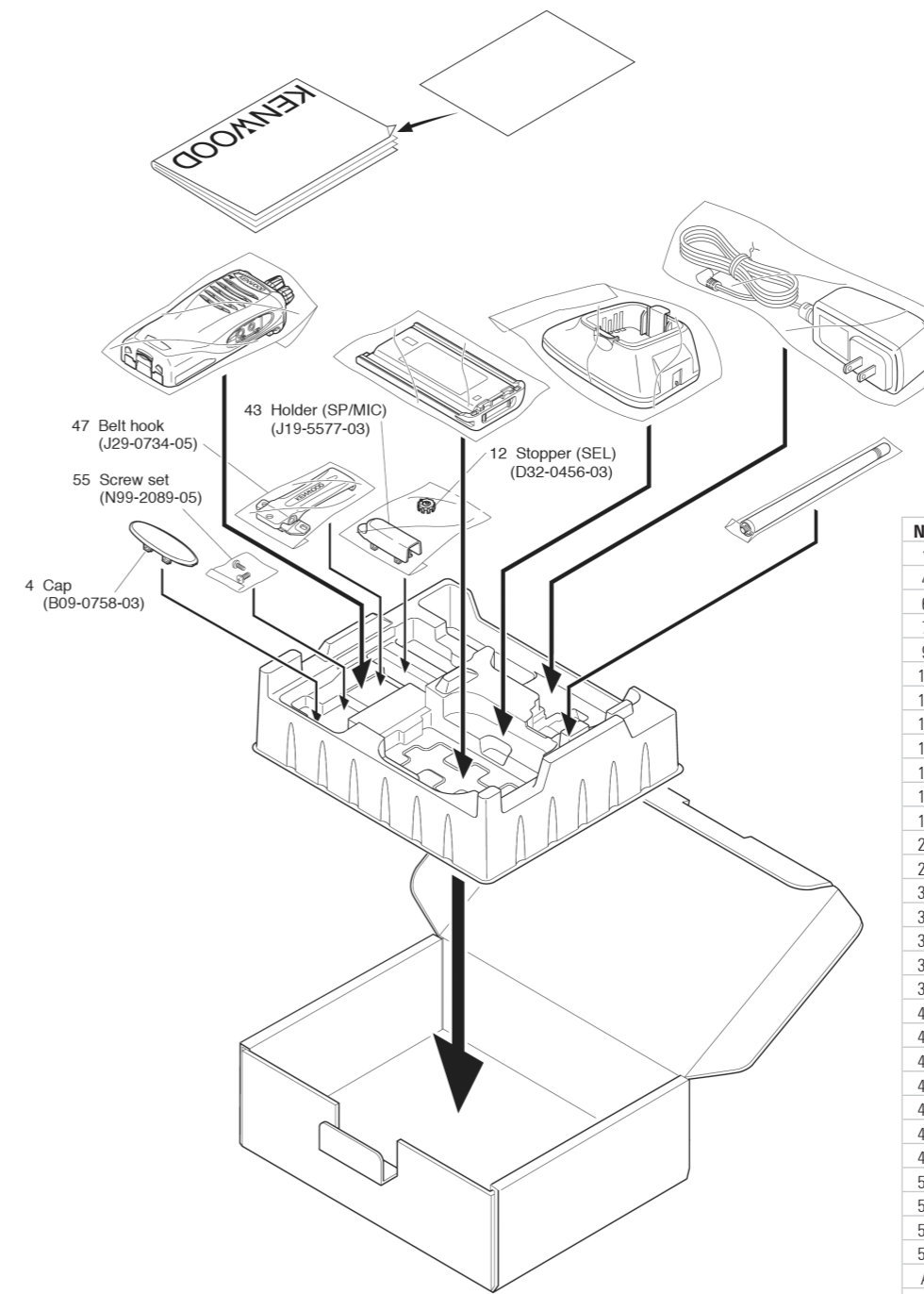
EXPLODED VIEW
TK-2402 / 3402

KENWOOD



PACKING
TK-2402 / 3402

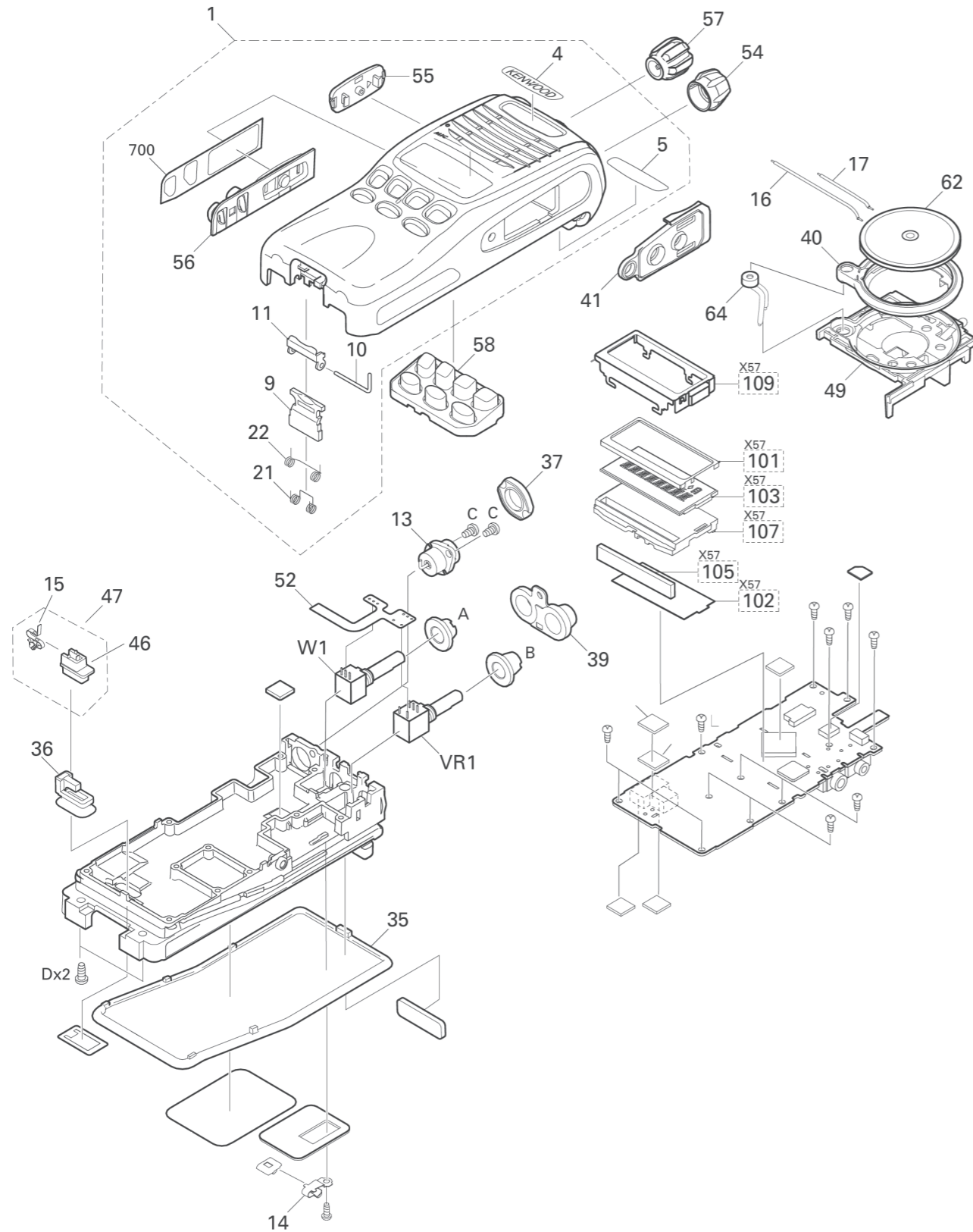
KENWOOD



No.	Part No.	Description
1	A02-4200-03	PLASTIC CABINET ASSY
4	B09-0758-03	CAP (EXT SP/MIC)
6	B43-1686-04	BADGE (FRONT)
7	B43-1687-04	BADGE/REAR
9	D10-0649-03	LEVER
10	D21-0863-04	SHAFT
11	D32-0441-13	STOPPER
12	D32-0456-03	STOPPER (SEL)
13	E04-0477-15	RF COAXIAL RECEPTACLE (SMA)
14	E23-1253-14	TERMINAL (GROUND)
15	E23-1395-04	TERMINAL (+VE)
16	E37-1288-05	PARALLEL CORD
20	G01-4542-04	COIL SPRING (LEVER)
21	G01-4543-14	COIL SPRING (STOPPER)
31	G53-1604-03	PACKING (CHASSIS)
32	G53-2215-03	PACKING (SP/MIC)
33	G53-2216-03	PACKING (SP)
34	G53-2217-02	PACKING (VOL/SEL)
35	G53-2218-03	PACKING (+VE)
43	J19-5577-03	HOLDER (SP/MIC)
44	J19-5578-02	HOLDER (SP)
45	J19-5579-03	HOLDER (+VE)
46	J19-5580-03	HOLDER ASSY
47	J29-0734-15	BELT CLIP
48	J82-0128-05	FPC (VOL/SEL)
49	J99-0779-04	ADHESIVE SHEET (PTT)
51	K29-9612-03	BUTTON KNOB (PTT)
52	K29-9613-03	BUTTON KNOB (PF)
53	K29-9614-03	KNOB (VOLUME)
54	K29-9615-03	KNOB (SELECTOR)
A	N09-6621-05	PAN HEAD SCREW
B	N14-0849-05	CIRCULAR NUT (VOL)
C	N14-0869-05	CIRCULAR NUT (SEL)
D	N19-2214-05	SPECIAL WASHER (VOL, SEL)
E	N30-2604-48	PAN HEAD MACHINE SCREW
F	N83-2005-48	PAN HEAD TAPTITE SCREW
55	N99-2089-05	SCREW SET
VR1	R31-0670-25	VARIABLE RESISTOR
S1	S60-0450-05	ROTARY SWITCH
56	T07-0805-05	SPEAKER
MIC1	T91-0659-15	MIC ELEMENT

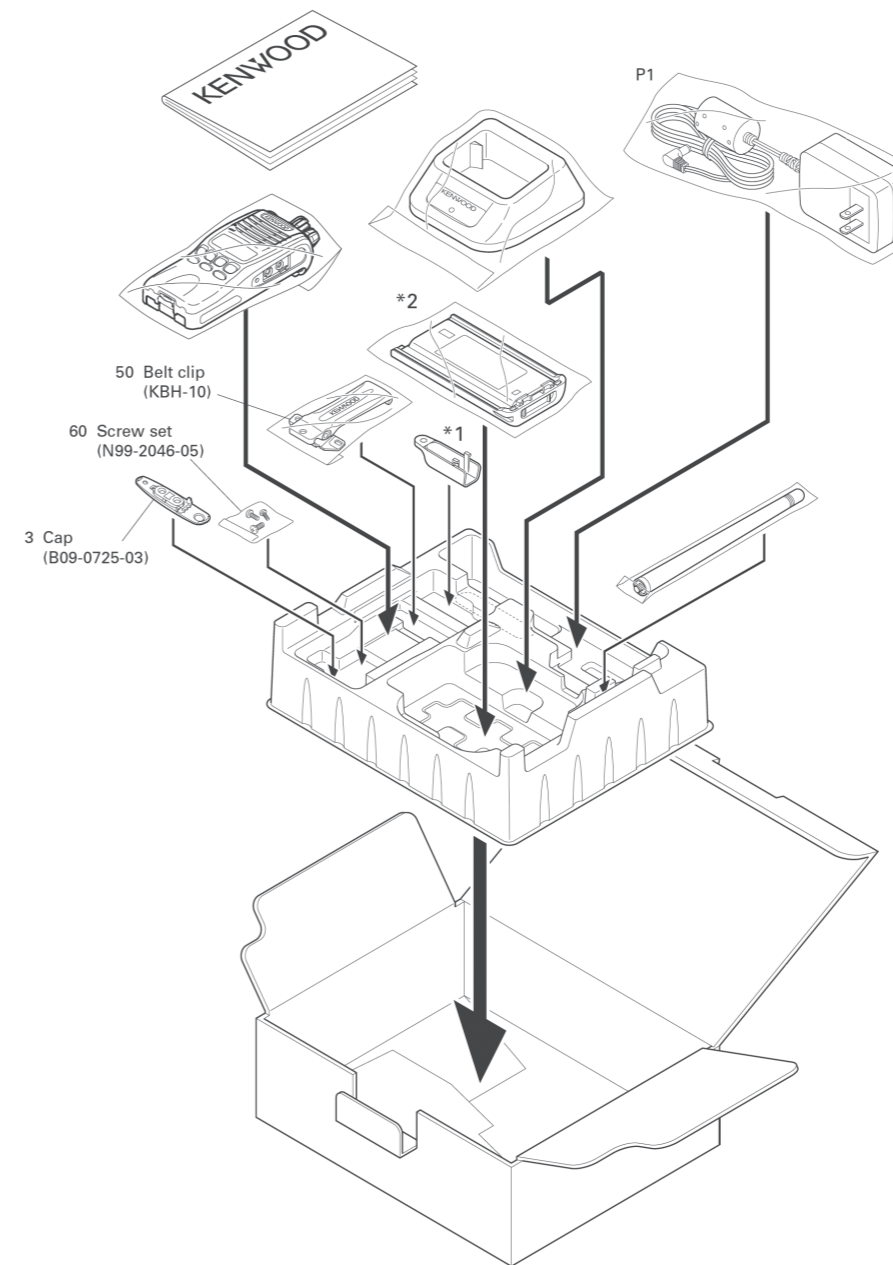
EXPLODED VIEW
TK-2312 / 3312

KENWOOD



PACKING
TK-2312 / 3312

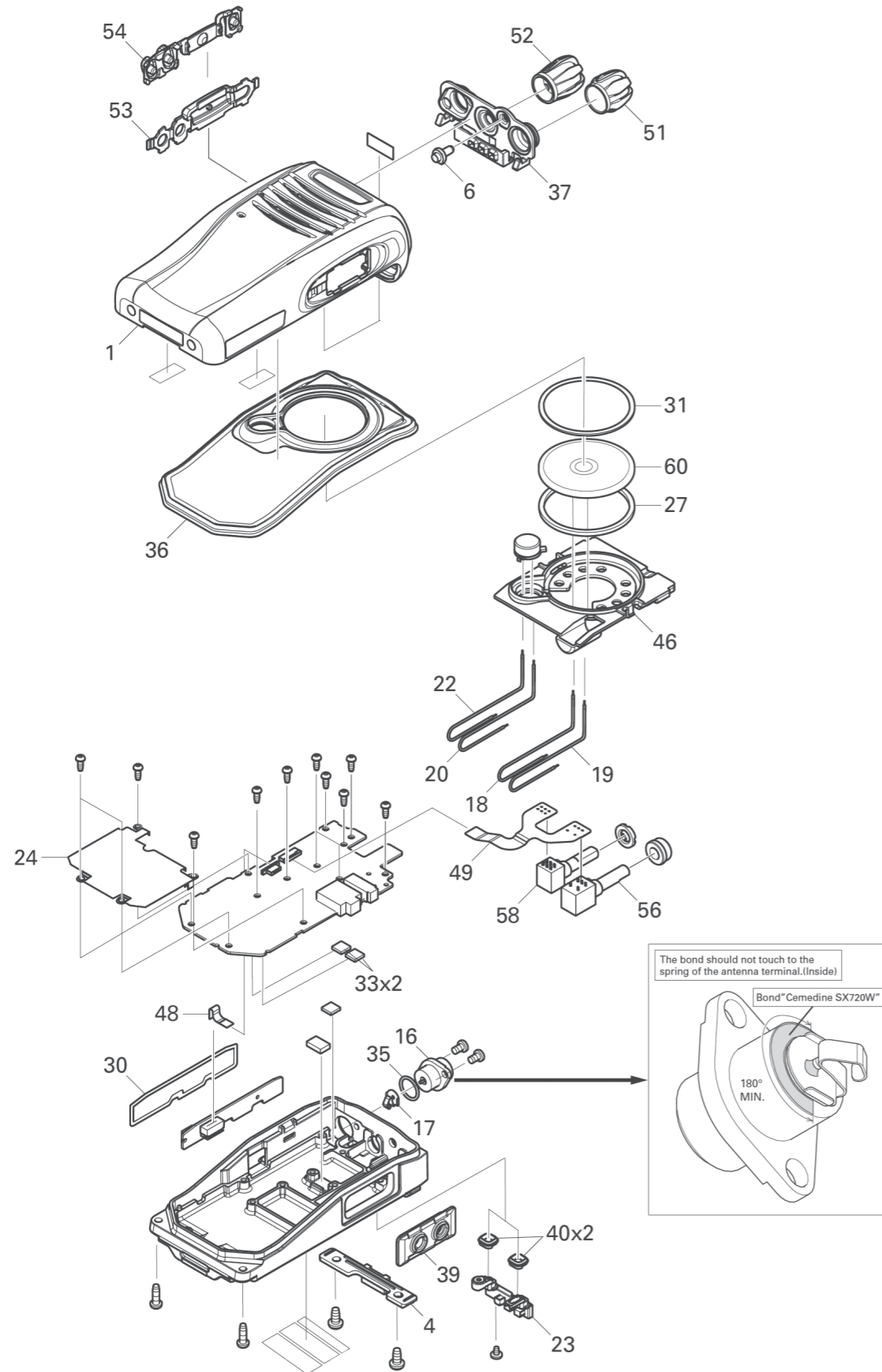
KENWOOD



No.	Part No.	Description
1	A02-4095-23	PLASTIC CABINET ASSY
3	B09-0725-03	CAP (SP/MIC)
4	B43-1622-04	BADGE (FRONT)
9	D10-0649-03	LEVER
10	D21-0863-04	SHAFT (LEVER)
11	D32-0441-13	STOPPER (LEVER)
13	E04-0477-15	RF COAXIAL RECEPTACLE (SMA)
14	E23-1253-04	TERMINAL (GND)
15	E23-1254-04	TERMINAL (+VE)
16	E37-1165-15	PROCESSED LEAD WIRE (SP/RED)
17	E37-1514-05	PROCESSED LEAD WIRE (SP/BLK)
21	G01-4542-04	COIL SPRING
22	G01-4543-14	COIL SPRING
35	G53-1604-03	PACKING (CHASSIS)
36	G53-1605-03	PACKING (+VE)
37	G53-1802-04	PACKING (SMA)
39	G53-1845-03	PACKING (VOL/SEL)
40	G53-1846-03	PACKING (SPK)
41	G53-1847-03	PACKING (SP/MIC)
46	J19-5463-03	HOLDER (+VE)
47	J19-5473-03	HOLDER ASSY (+VE)
48	J19-5549-03	HOLDER (SP/MIC)
49	J19-5545-14	HOLDER ASSY (SPK)
50	J29-0734-05	BELT CUP
52	J82-0127-05	FPC
54	K29-9309-13	KNOB (VOL)
55	K29-9425-03	BUTTON KNOB(PTT)
56	K29-9426-03	BUTTON KNOB (SIDE 1,2)
57	K29-9427-03	KNOB (SELECTOR)
58	K29-9463-02	KEY TOP (7KEY)
A	N14-0848-05	CIRCULAR NUT (SELECTOR)
B	N14-0849-05	CIRCULAR NUT (VOL)
C	N30-2604-48	PAN HEAD MACHINE SCREW (SMA)
D	N30-2606-48	PAN HEAD MACHINE SCREW
E	N83-2005-48	PAN HEAD TAPTITE SCREW
60	N99-2046-05	SCREW SET
VR1	R31-0676-05	VARIABLE RESISTOR
62	T07-0787-05	SPEAKER
64	T91-0672-05	MIC ELEMENT
W1	W02-3748-05	ENCODER (SELECTOR)
101	B11-1876-03	ILLUMINATION GUIDE (LCD)
102	B11-1877-14	FILTER (LCD)
103	B38-0935-05	LCD
105	E29-1229-05	INTER CONNECTOR
107	G11-4525-04	SHEET (LCD)
109	J21-8619-03	MOUNTING HARDWARE

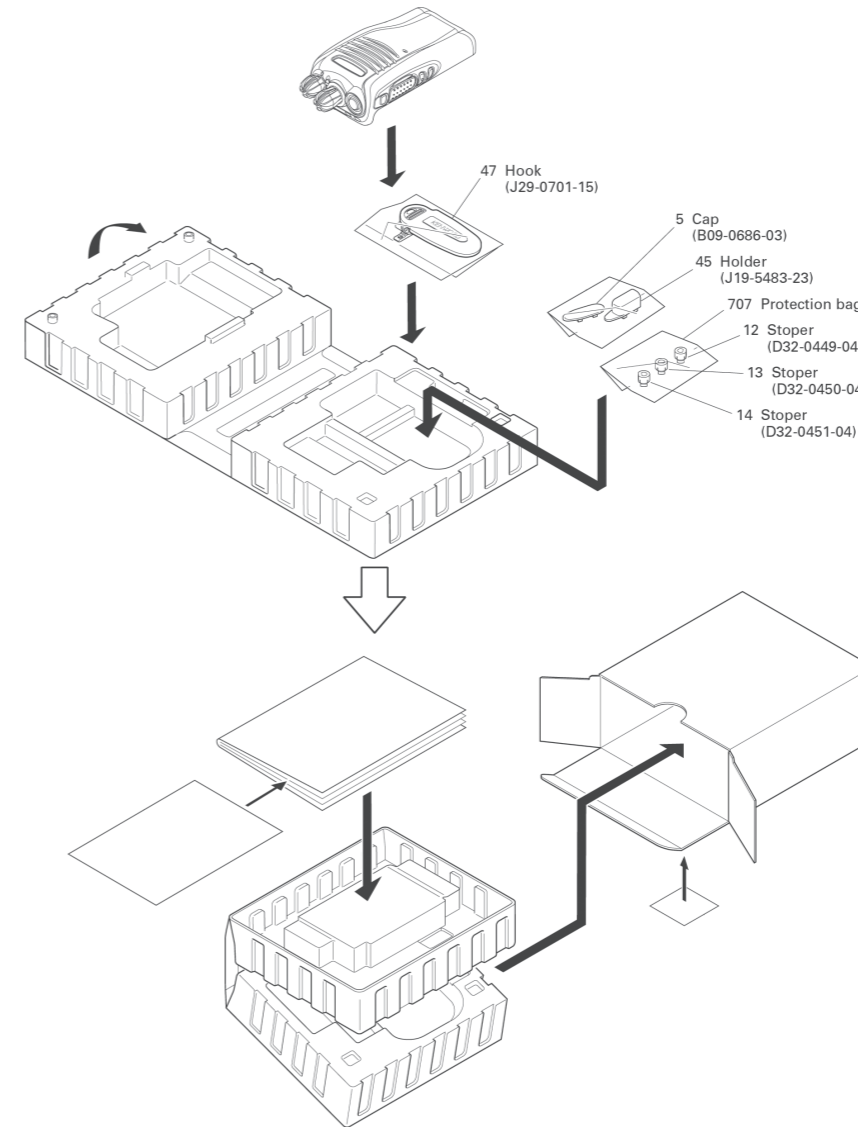
EXPLODED VIEW
TK-2360 / 3360

KENWOOD



PACKING
TK-2360 / 3360

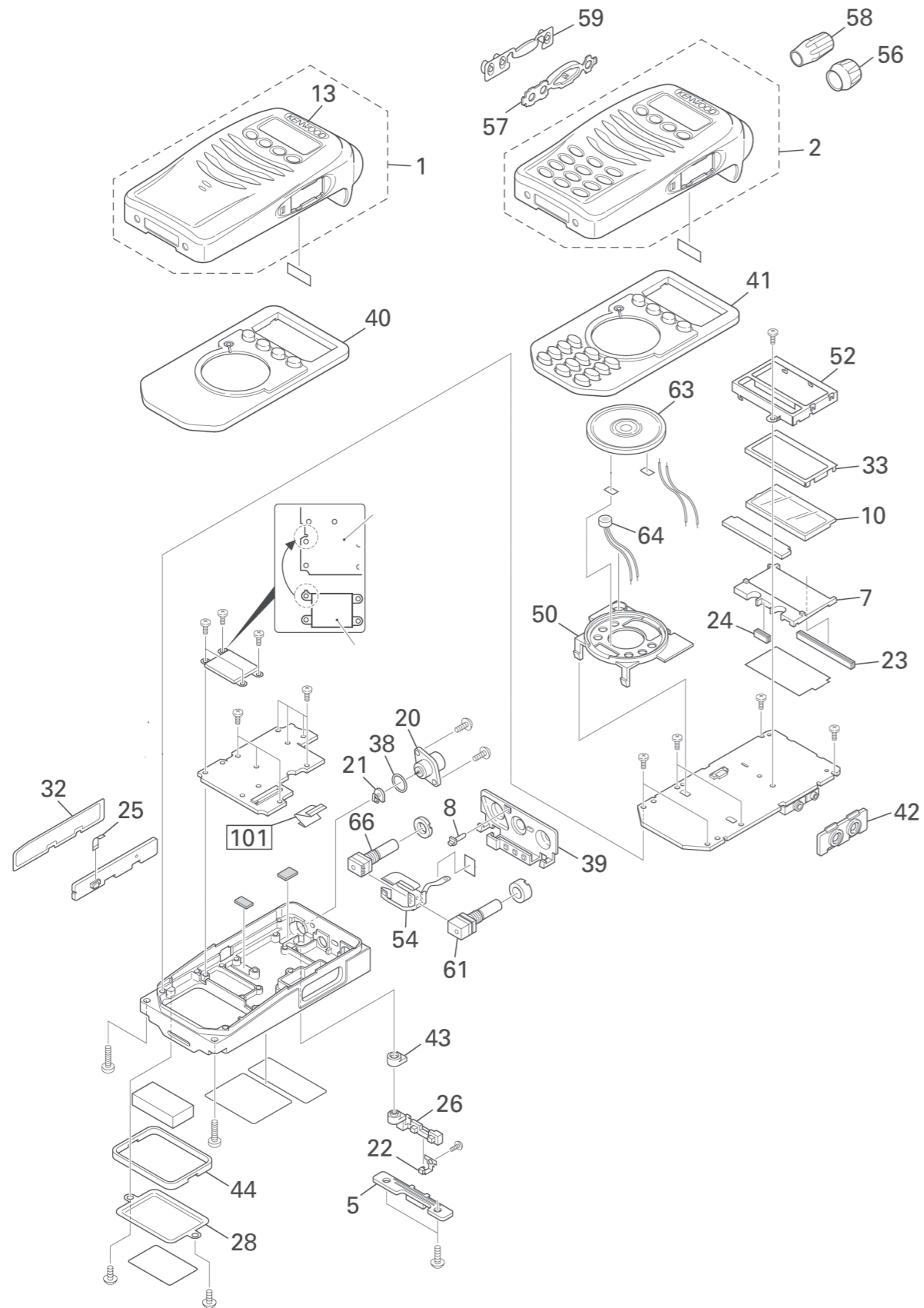
KENWOOD



No.	Part No.	Description
1	A02-4087-03	PLASTIC CABINET ASSY
4	B01-0694-13	ESCUTCHEON
5	B09-0686-03	CAP
6	B11-1869-04	ILLUMINATION GUIDE (TX-RX)
12	D32-0449-04	STOPPER (ACH, WHITE)
13	D32-0450-04	STOPPER (BCH, GRAY)
14	D32-0451-04	STOPPER (12CH, BLK)
16	E04-0467-15	RF COAXIAL RECEPTACLES(SMA)
17	E23-1345-04	TERMINAL ASSY (ANT)
18	E37-1165-15	PROCESSED LEAD WIRE (SP RED)
19	E37-1166-15	PROCESSED LEAD WIRE (SP BLACK)
20	E37-1511-05	PROCESSED LEAD WIRE (ECM GR)
22	E37-1512-05	PROCESSED LEAD WIRE (ECM BR)
23	E72-0433-03	TERMINAL BLOCK
24	F10-3128-03	SHIELDING COVER
27	G11-4272-14	RUBBER CUSHION (SP)
30	G11-4488-04	SHEET (PTT)
31	G11-4527-04	SHEET (PTT)
33	G13-2038-24	CUSHION (CERAFIL)
35	G53-1603-04	PACKING (ANT)
36	G53-1833-04	PACKING (CHASSIS)
37	G53-1831-02	PACKING (TOP)
39	G53-1832-03	PACKING (JACK)
40	G53-1833-04	PACKING (TERMINAL)
45	J19-5483-23	HOLDER
46	J19-5533-02	HOLDER (SP)
47	J29-0701-15	HOOK
48	J87-0027-05	FPC (LEAD FREE) (PTT)
49	J87-0038-05	FPC (LEAD FREE) (VOL/ENC)
51	K29-9450-03	KNOB (VOL)
52	K29-9451-03	KNOB (SELECTOR)
53	K29-9452-03	KNOB (PTT)
54	K29-9453-03	BUTTON KNOB (SIDE1/SIDE2/AUX)
A	N09-2438-05	BINDING HEAD SCREW (ANT)
B	N09-6565-05	PAN HEAD SCREW (CASE)
C	N14-0851-04	CIRCULAR NUT (SELECTOR)
D	N14-0858-04	CIRCULAR NUT (VOL)
E	N30-3006-43	PAN HEAD MACHINE SCREW (ESCUTCHE)
F	N78-2030-48	PAN HEAD TAPTITE SCREW (TERM-BL)
G	N83-2005-48	PAN HEAD TAPTITE SCREW (UNIT)
56	R31-0665-05	VARIABLE RESISTOR (VOL)
58	S60-0443-05	ROTARY SWITCH (SELECTOR)
60	T07-0787-05	SPEAKER

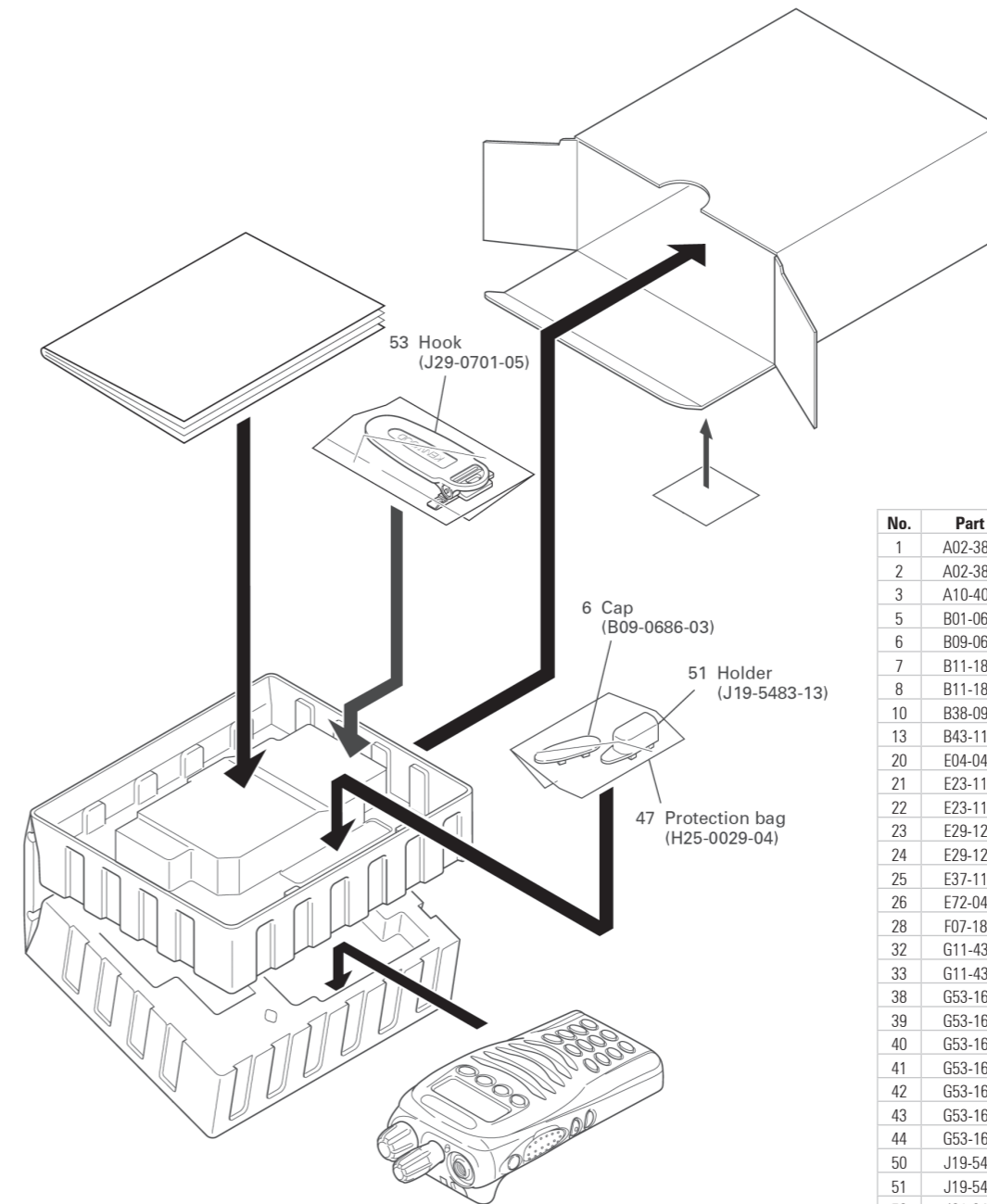
EXPLODED VIEW
TK-2170 / 3170

KENWOOD



PACKING
TK-2170 / 3170

KENWOOD



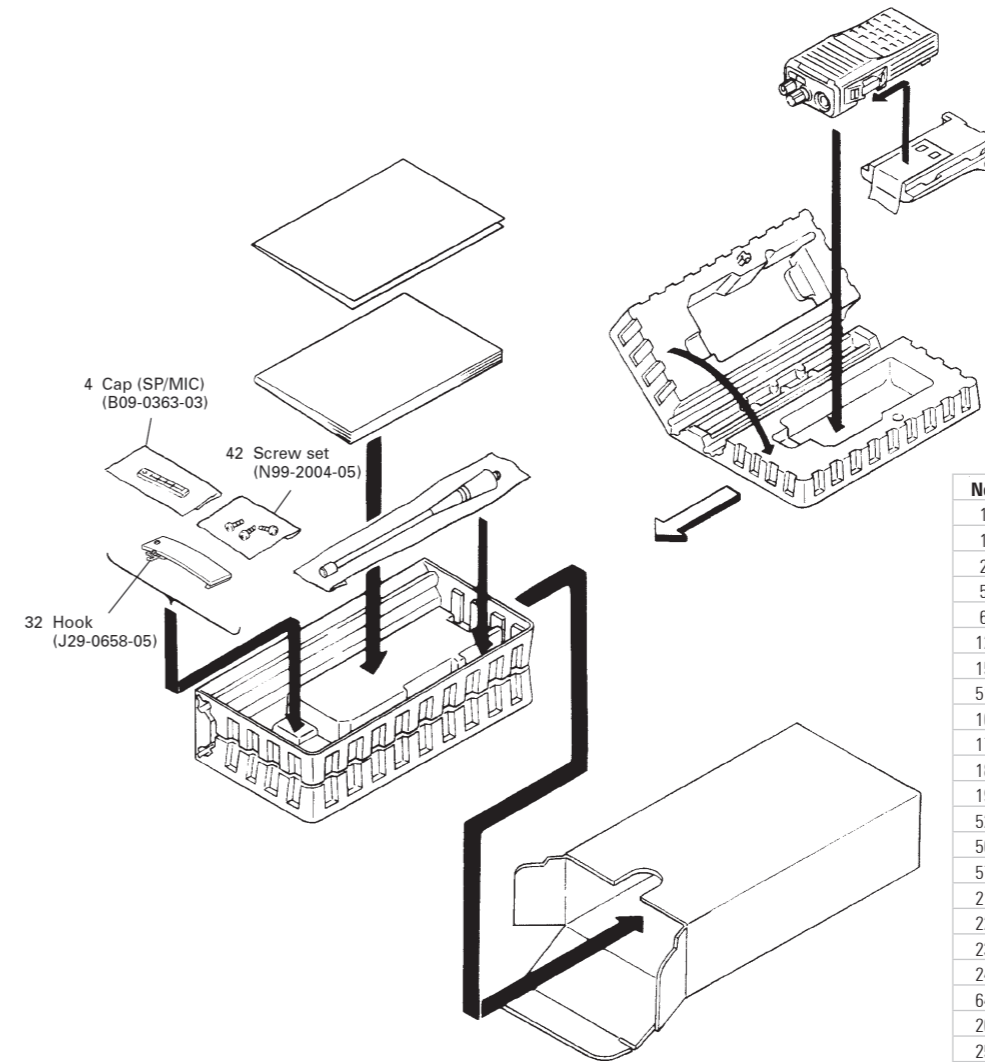
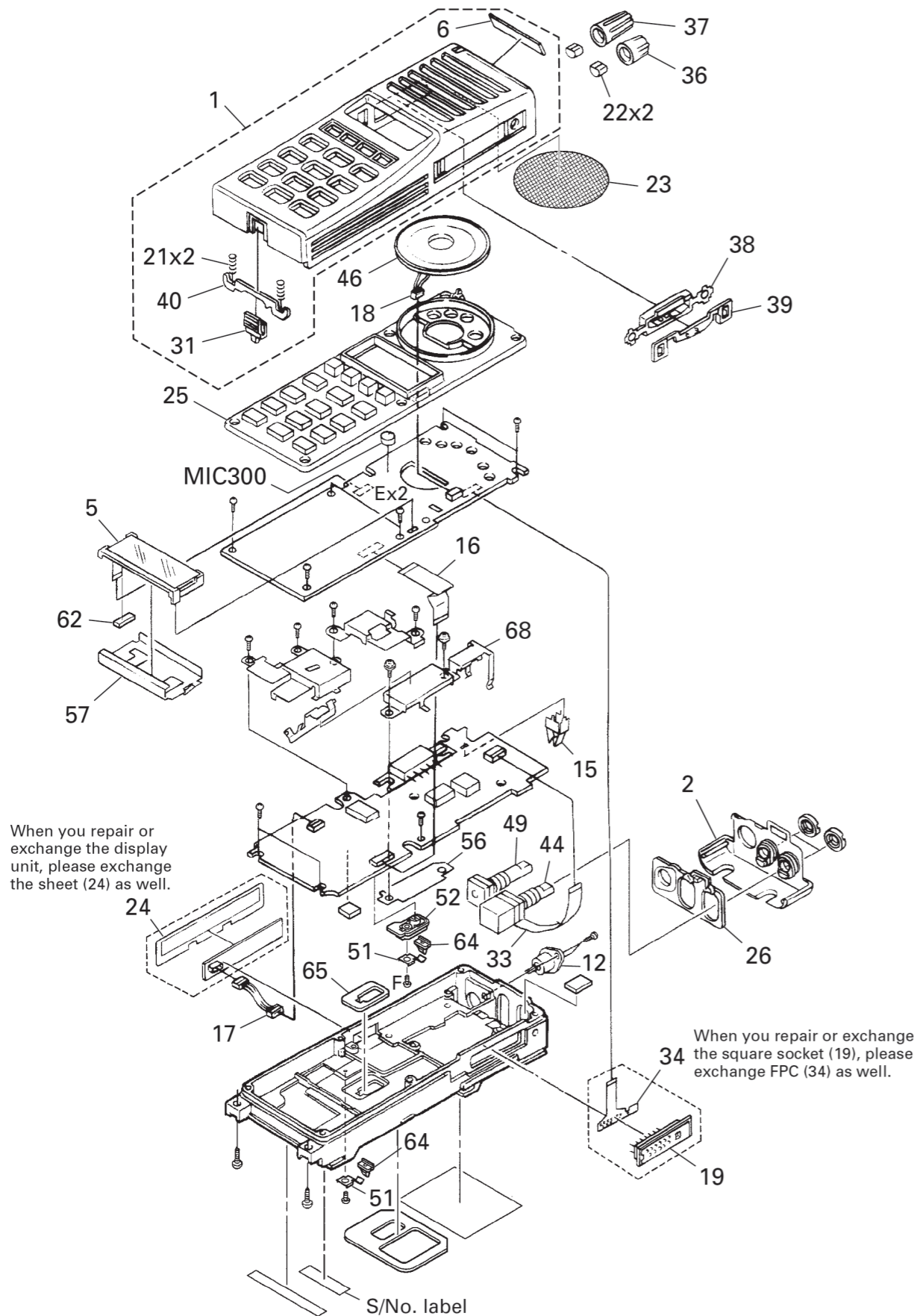
No.	Part No.	Description
1	A02-3890-03	PLASTIC CABINET ASSY
2	A02-3891-13	PLASTIC CABINET ASSY
3	A10-4088-01	CHASSIS
5	B01-0694-03	ESCUTCHEON
6	B09-0686-03	CAP
7	B11-1826-03	ILLUMINATION GUIDE
8	B11-1827-04	ILLUMINATION GUIDE
10	B38-0901-05	LCD
13	B43-1178-04	BADGE
20	E04-0436-05	RF COAXIAL RECEPTACLE (SMA)
21	E23-1188-04	TERMINAL
22	E23-1189-14	TERMINAL
23	E29-1204-04	INTER CONNECTOR (LCD)
24	E29-1211-04	INTER CONNECTOR (4-KEY)
25	E37-1142-05	FLAT CABLE
26	E72-0421-03	TERMINAL BLOCK
28	F07-1890-04	COVER
32	G11-4316-04	SHEET
33	G11-4335-14	SHEET
38	G53-1603-04	PACKING
39	G53-1650-12	PACKING
40	G53-1651-01	PACKING
41	G53-1652-11	PACKING
42	G53-1653-03	PACKING
43	G53-1654-04	PACKING
44	G53-1655-04	PACKING
50	J19-5481-03	HOLDER
51	J19-5483-23	HOLDER
52	J21-8488-03	MOUNTING HARDWARE
53	J29-0701-15	HOOK
54	J82-0106-05	FPC
56	K29-9278-13	KNOB (VOLUME)
57	K29-9339-03	KNOB (PTT)
58	K29-9340-03	KNOB (SELECTOR)
59	K29-9341-03	KEY TOP (SIDE)
A	N09-2438-05	BINDING HEAD SCREW
B	N14-0583-04	CIRCULAR NUT
C	N14-0805-04	CIRCULAR NUT
D	N30-2610-48	PAN HEAD MACHINE SCREW
E	N30-3006-45	PAN HEAD MACHINE SCREW
F	N79-2030-48	PAN HEAD TAPTITE SCREW
G	N83-2005-48	PAN HEAD TAPTITE SCREW
61	R31-0655-05	VARIABLE RESISTOR
63	T07-0369-05	SPEAKER
64	T91-0650-05	MIC ELEMENT
66	W02-3684-05	SELECTOR

EXPLODED VIEW
TK-480 / 481

KENWOOD

PACKING
TK-480 / 481

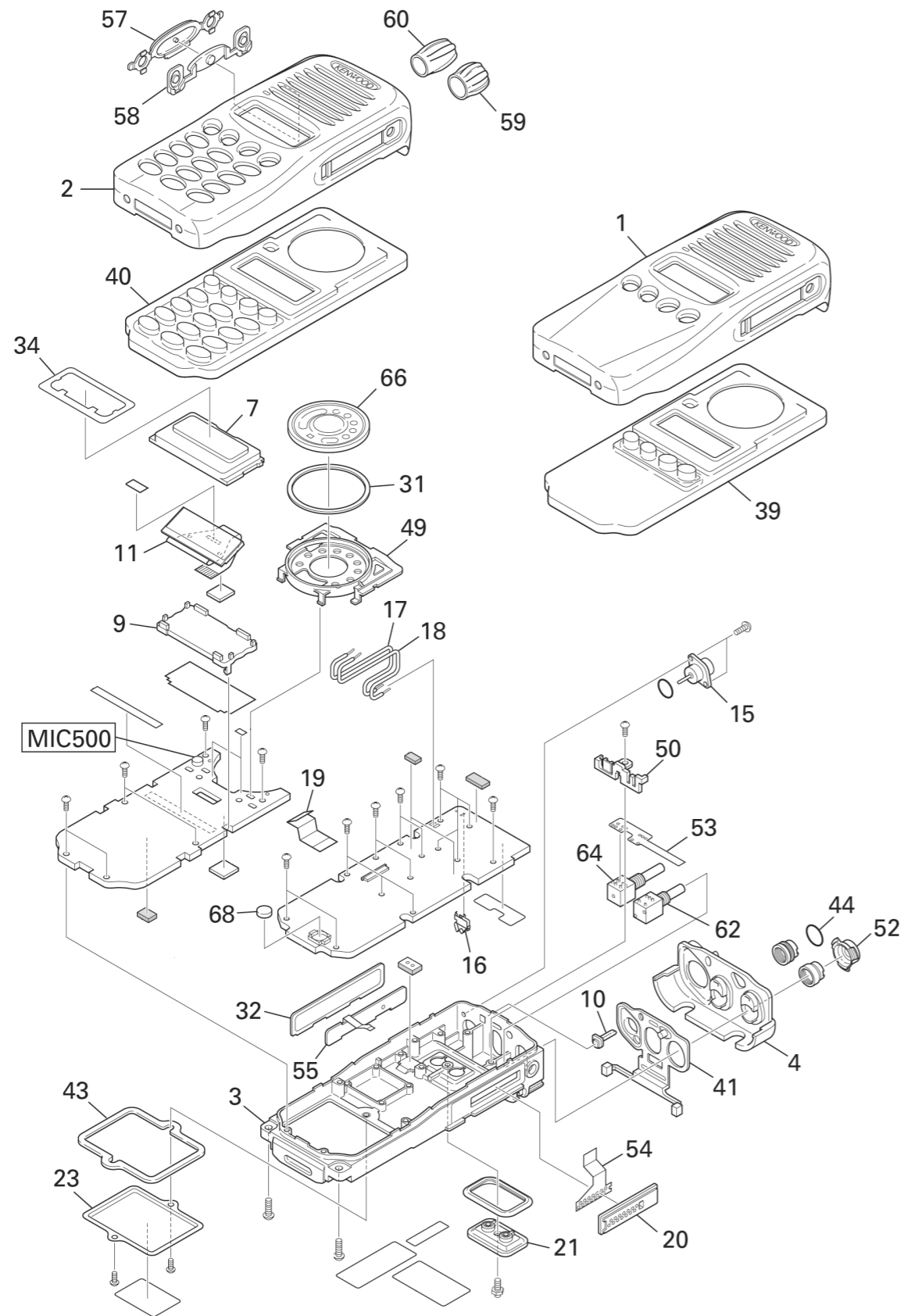
KENWOOD



No.	Part No.	Description
1	A02-3658-03	CABINET ASSY (4KEY)
1	A02-3659-03	CABINET ASSY (16KEY)
2	A62-0981-04	PANEL ASSY
5	B38-0810-05	LCD ASSY
6	B43-1139-04	BADGE (KENWOOD)
12	E04-0406-05	RF COAXIAL RECEPTACLE (SMA)
15	E23-1049-04	TERMINAL (ANT)
51	E23-1166-04	RELAY TERMINAL
16	E37-0672-05	FLAT CABLE (CONT-TX.RX)
17	E37-0673-05	LEAD WIRE WITH CONNECTOR (PTT)
18	E37-0674-15	LEAD WIRE WITH CONNECTOR (SP)
19	E58-0440-05	SQUARE SOCKET (SP/MIC)
52	E72-0412-13	TERMINAL BLOCK
56	F10-2255-04	SHIELDING PLATE (P-MODULE)
57	F10-2310-03	SHIELDING PLATE (LCD)
21	G01-0881-04	COIL SPRING
22	G09-0418-05	KNOB SPRING (VOL, ENC)
23	G10-0799-04	FIBROUS SHEET (SP)
24	G11-0800-04	SHEET (PTT)
64	G13-1834-04	CUSHION (TERMINAL)
26	G53-0811-03	PACKING (TOP)
25	G53-0840-02	PACKING (4KEY)
25	G53-0841-02	PACKING (16KEY)
65	G53-1510-04	PACKING (BATT+)
31	J19-1572-04	HOLDER
33	J82-0045-05	FPC (VOL, ENC)
34	J82-0046-05	FPC (SOCKET)
38	K29-5157-03	KNOB (PTT)
39	K29-5158-03	KEY TOP (PTT)
40	K29-5165-03	LEVER KNOB
36	K29-5231-03	KNOB (VOL)
37	K29-5232-03	KNOB (ENC)
A	N14-0569-04	CIRCULAR NUT (VOL, ENC)
B	N30-2605-46	PAN HEAD MACHINE SCREW (ANT)
C	N30-2610-46	PAN HEAD MACHINE SCREW (CASE)
D	N67-2606-46	PAN HEAD SEMS SCREW W (P-MODULE)
F	N79-2025-46	PAN HEAD TAPTITE SCREW (TERMINAL)
E	N83-2005-46	PAN HEAD TAPTITE SCREW (UNIT)
44	R31-0617-05	VARIABLE RESISTOR (POWER SW/ VOL)
46	T07-0714-05	SPEAKER
MIC300	T91-0579-05	MIC ELEMENT
49	W02-1814-05	ENCODER

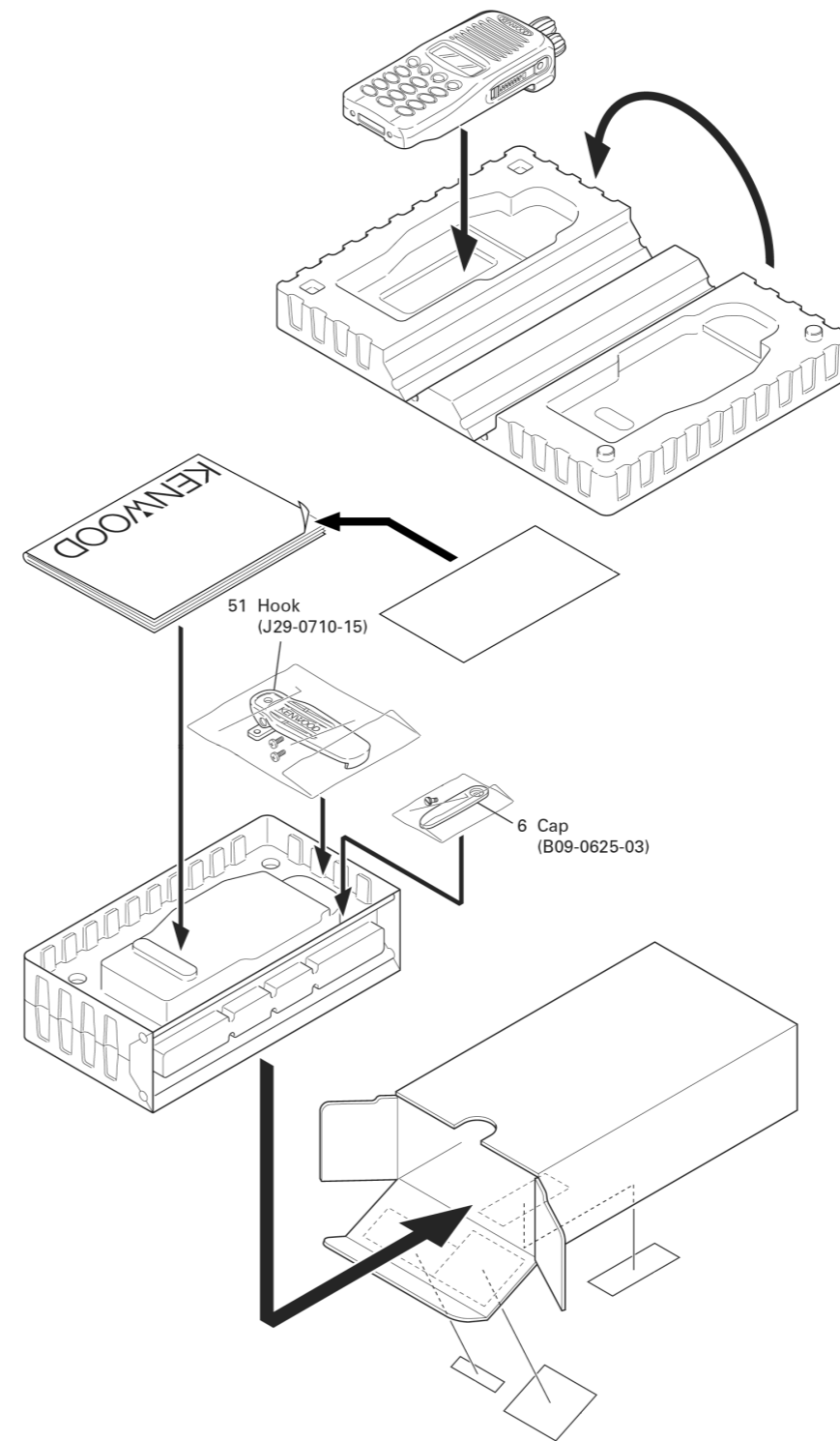
EXPLODED VIEW
TK-2180 / 3180

KENWOOD



PACKING
TK-2180 / 3180

KENWOOD

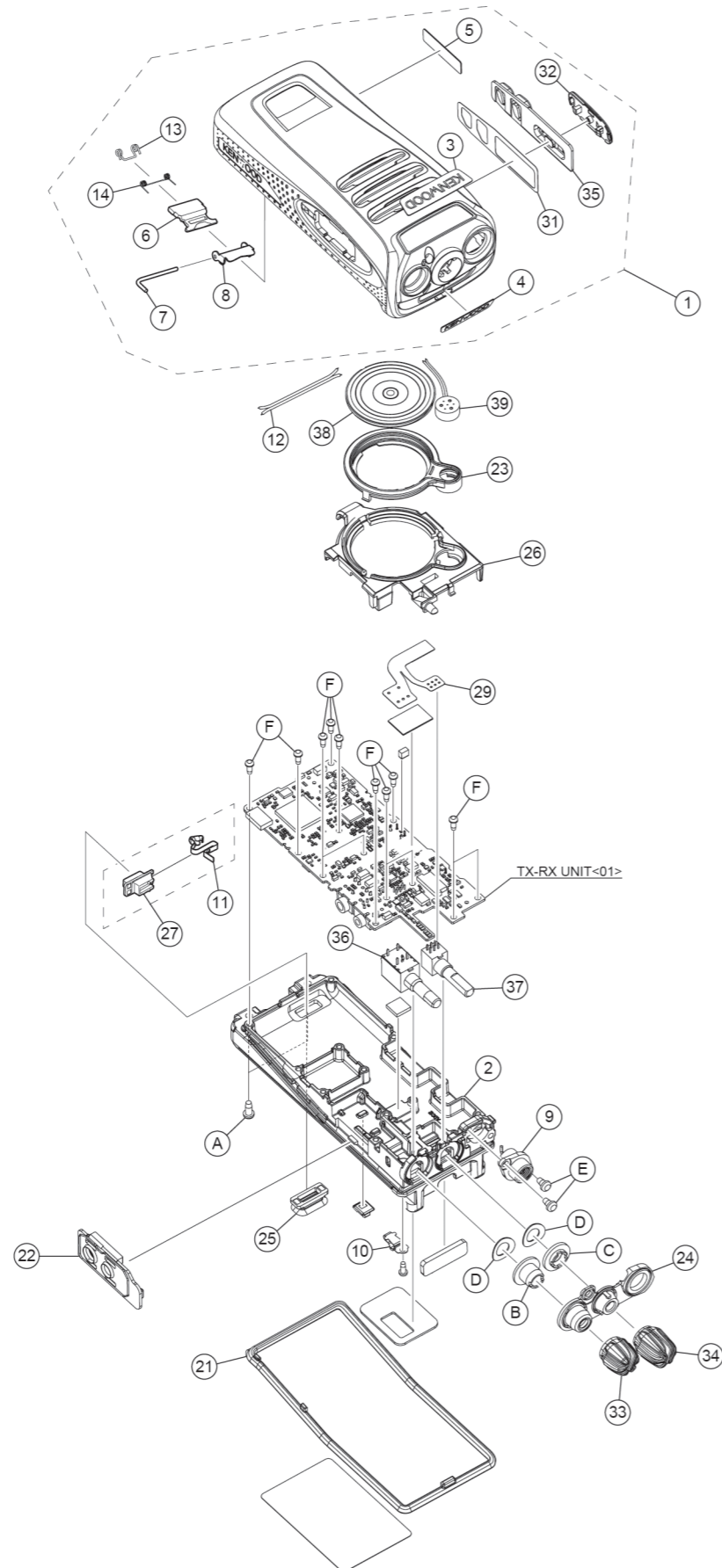


No.	Part No.	Description
1	A02-3847-03	PLASTIC CABINET ASSY
2	A02-3848-03	PLASTIC CABINET ASSY
3	A10-4076-21	CHASSIS
4	A62-1093-02	PANEL
6	B09-0625-03	CAP
7	B10-2752-22	FRONT GLASS
9	B11-1816-12	ILLUMINATION GUIDE (LCD)
10	B11-1820-04	ILLUMINATION GUIDE (BUSY/TX)
11	B38-0900-05	LCD ASSY
15	E04-0416-05	RF COAXIAL RECEPTACLE (SMA)
16	E23-1104-04	ANTENNA TERMINAL
17	E37-1101-05	SPEAKER WIRE (RED)
18	E37-1102-05	SPEAKER WIRE (BLACK)
19	E37-1107-05	FLAT CABLE
20	E58-0511-05	COVER
21	E72-0419-03	TERMINAL BLOCK
23	F07-1880-04	COVER
31	G11-4272-04	RUBBER CUSHION
32	G11-4273-14	SHEET
34	G11-4326-04	SHEET
39	G53-1598-01	PACKING
40	G53-1599-01	PACKING
41	G53-1600-12	PACKING
43	G53-1602-14	PACKING
44	G53-1603-04	PACKING
49	J19-5460-02	HOLDER
50	J19-5478-03	HOLDER
51	J29-0710-15	HOOK
52	J30-1279-04	SPACER
53	J82-0089-05	FPC (VOL/SELECTOR)
54	J82-0090-25	FPC (UNIVERSAL CONECTOR)
55	J82-0091-15	FPC (PTT)
57	K29-9302-23	KNOB (PTT)
58	K29-9303-03	BUTTON KNOB (SIDE)
59	K29-9304-03	KNOB (VOLUME)
60	K29-9305-03	KNOB (CH SELECTOR)
A	N08-0548-14	DRESSED SCREW
B	N09-2426-04	HEXAGON HEAD SCREW
C	N14-0806-04	CIRCULAR NUT
D	N14-0810-04	CIRCULAR NUT
E	N60-2004-43	PAN HEAD MACHINE SCREW
F	N30-2604-48	PAN HEAD MACHINE SCREW
G	N30-2608-43	PAN HEAD MACHINE SCREW
H	N30-3008-60	PAN HEAD MACHINE SCREW
J	N83-2005-48	PAN HEAD TAPTITE SCREW
62	R31-0652-05	VARIABLE RESISTOR
64	S60-0430-05	ROTARY SWITCH
66	T07-0749-15	SPEAKER
68	W09-0971-05	LITHIUM CELL

EXPLODED VIEW
NX-240 / 340

KENWOOD

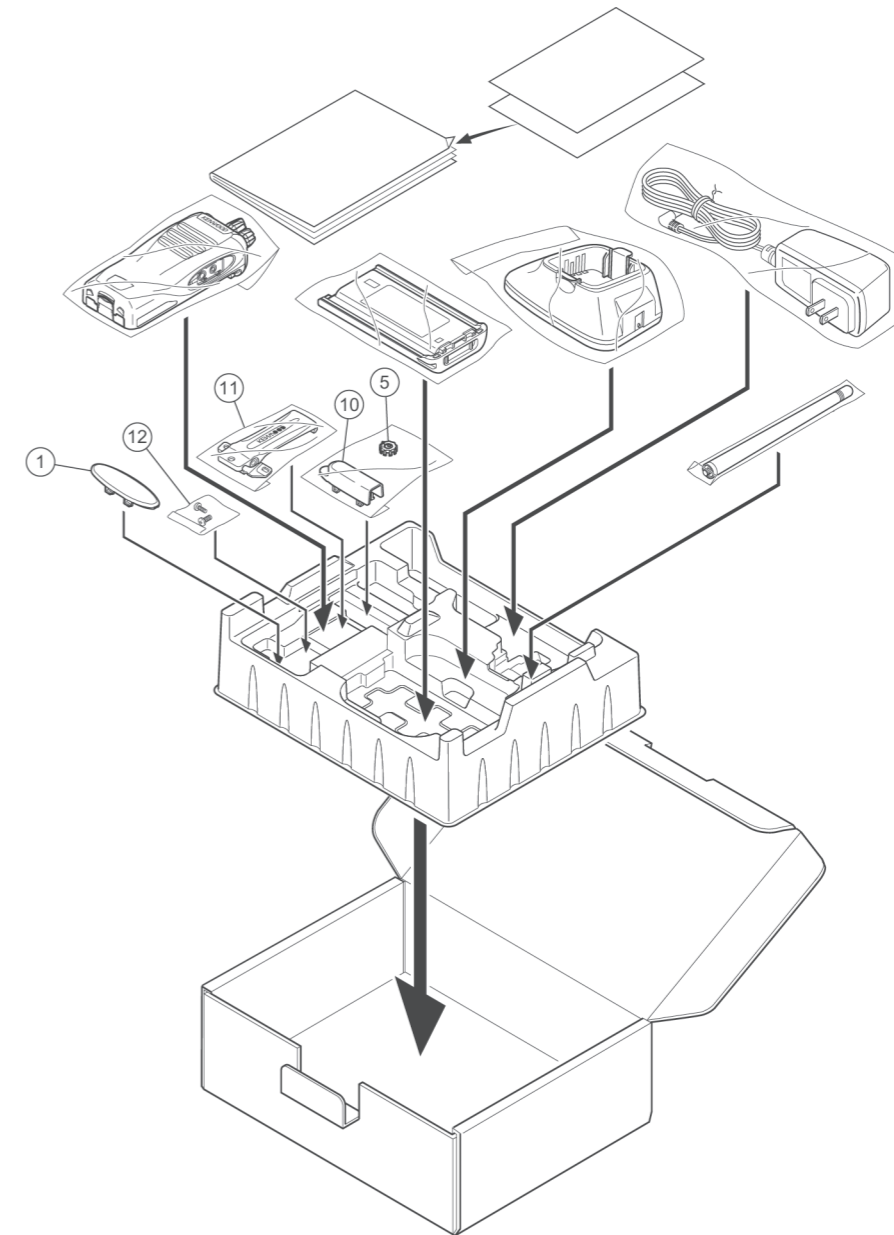
No.	Part No.	Description
1	A02-4228-03	PLASTIC CABINET ASSY
2	A10-4177-01	CHASSIS
3	B43-1693-04	BADGE (KENWOOD-FRONT)
4	B43-1694-04	BADGE (KENWOOD)
5	B43-1700-04	BADGE (NEXEDGE)
6	D10-0649-03	LEVER
7	D21-0863-04	SHAFT
8	D32-0441-13	STOPPER
9	E04-0477-15	RF COAXIAL RECEPTACLE (SMA)
10	E23-1253-14	TERMINAL (GROUND)
11	E23-1395-04	TERMINAL (+VE)
12	E37-1588-05	PARALLEL CORD
13	G01-4542-04	COIL SPRING (LEVER)
14	G01-4543-14	COIL SPRING (STOPPER)
21	G53-1604-03	PACKING (CHASSIS)
22	G53-2215-03	PACKING (SP/MIC)
23	G53-2216-03	PACKING (SP)
24	G53-2217-02	PACKING (VOLUME/SELECTOR)
25	G53-2218-03	PACKING (+VE)
26	J19-5578-12	HOLDER (SP)
27	J19-5579-03	HOLDER (+VE)
29	J87-0054-05	FPC (VOLUME/SELECTOR)
31	J99-0783-04	ADHESIVE SHEET (PTT)
32	K29-9612-03	BUTTON KNOB(PTT)
33	K29-9614-03	KNOB (VOLUME)
34	K29-9615-03	KNOB (SELECTOR)
35	K29-9625-03	BUTTON KNOB (PF)
36	R31-0670-25	VARIABLE RESISTOR
37	S60-0450-05	ROTARY SWITCH
38	T07-0805-05	SPEAKER
38	TOH-0011-00	SPEAKER VER.2
39	T91-0659-15	MIC ELEMENT
A	N09-6621-05	PAN HEAD SCREW
B	N14-0849-05	CIRCULAR NUT (VOLUME)
C	N14-0869-05	CIRCULAR NUT (SELECTOR)
D	N19-2214-05	SPECIAL WASHER (VOL/SELECTOR) (x2)
E	N30-2604-48	PAN HEAD MACHINE SCREW (x2)
F	N83-2005-48	PAN HEAD TAPTITE SCREW (x12)



PACKING
NX-240 / 340

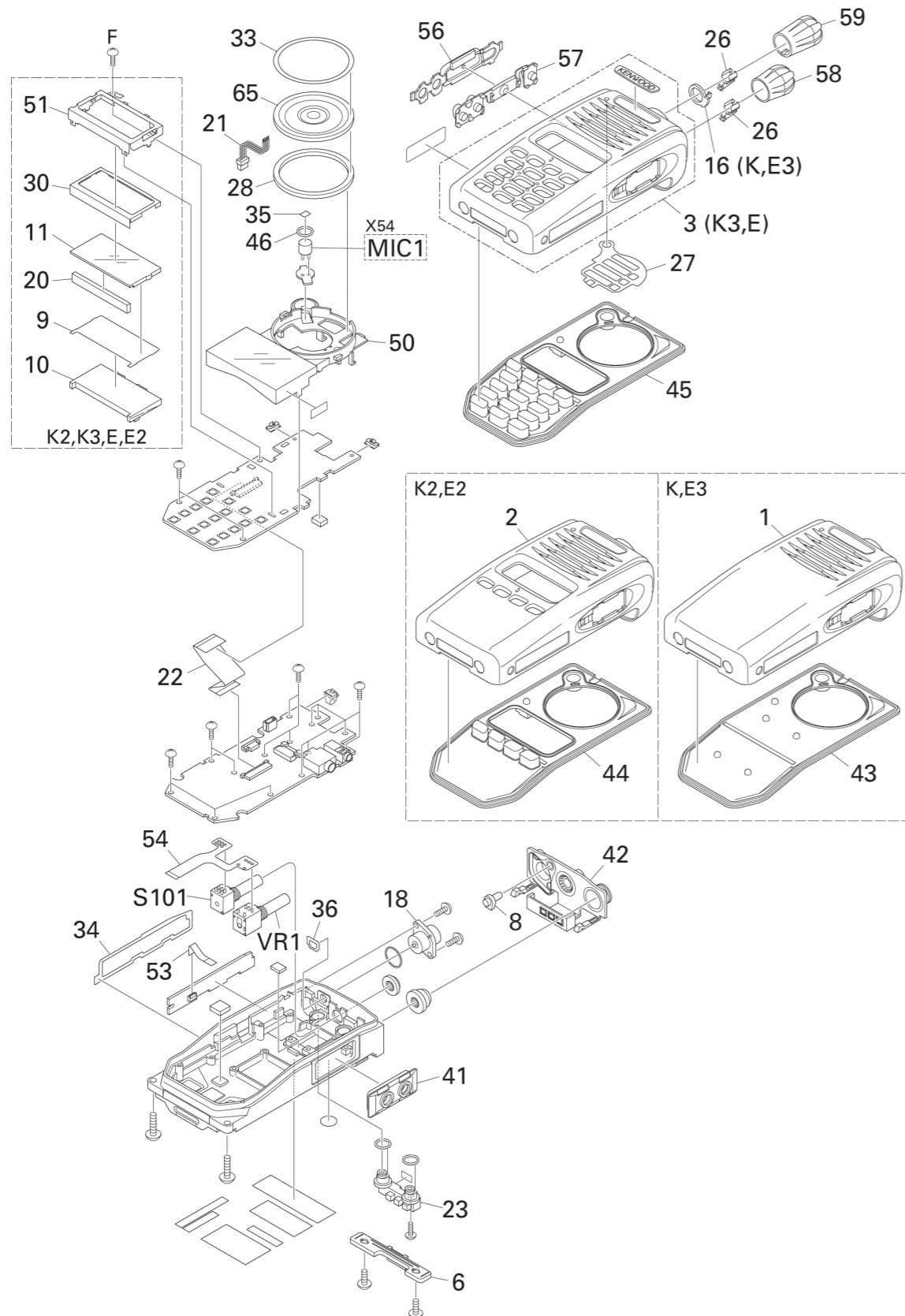
KENWOOD

No.	Part No.	Description
1	B09-0758-03	CAP (SP/MIC)
5	D32-0456-03	STOPPER (SELECTOR)
10	J19-5577-03	HOLDER (SP/MIC)
11	J29-0734-15	BELT CLIP
12	N99-2089-05	SCREW SET



EXPLODED VIEW
NX-220 / 320

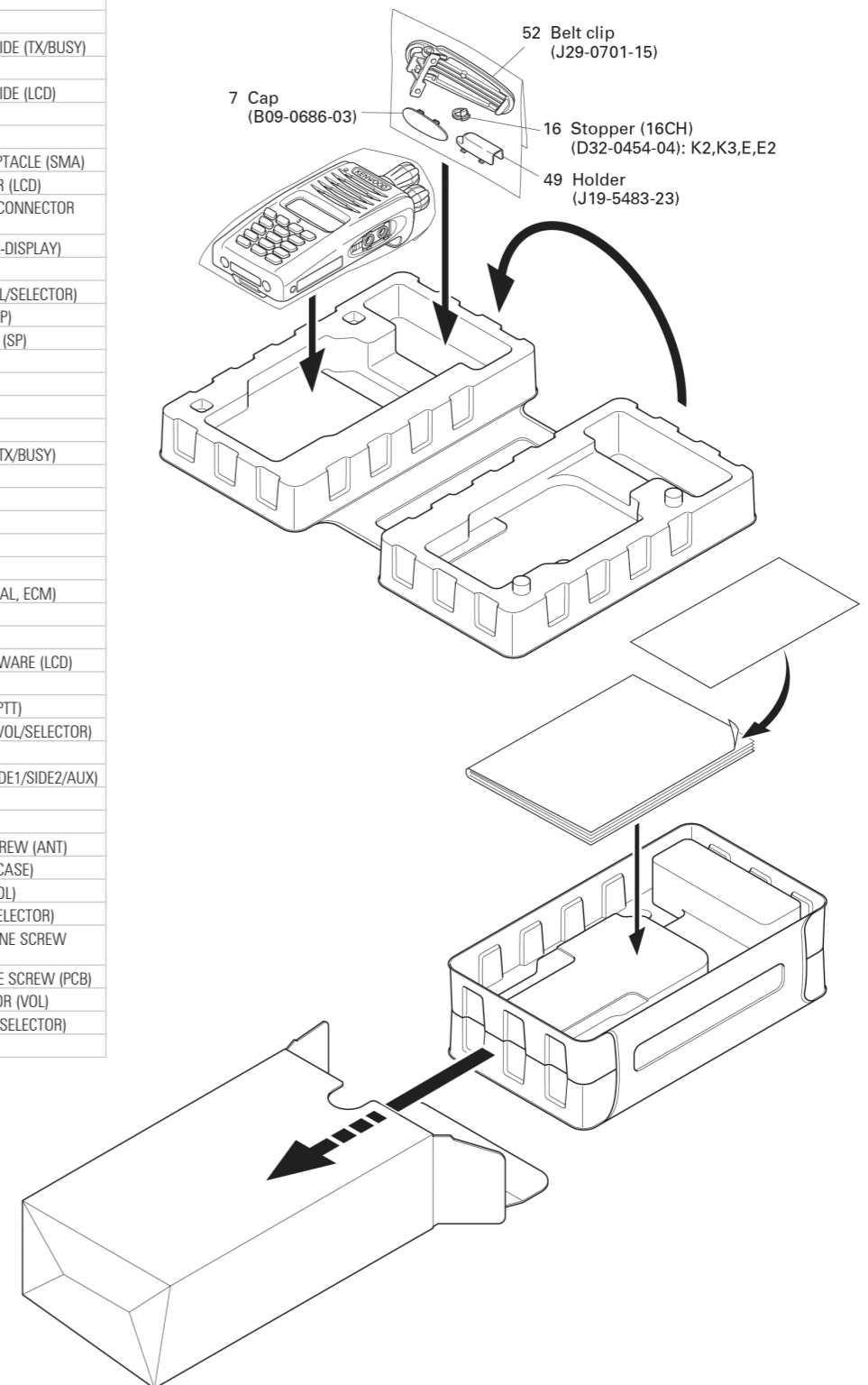
KENWOOD

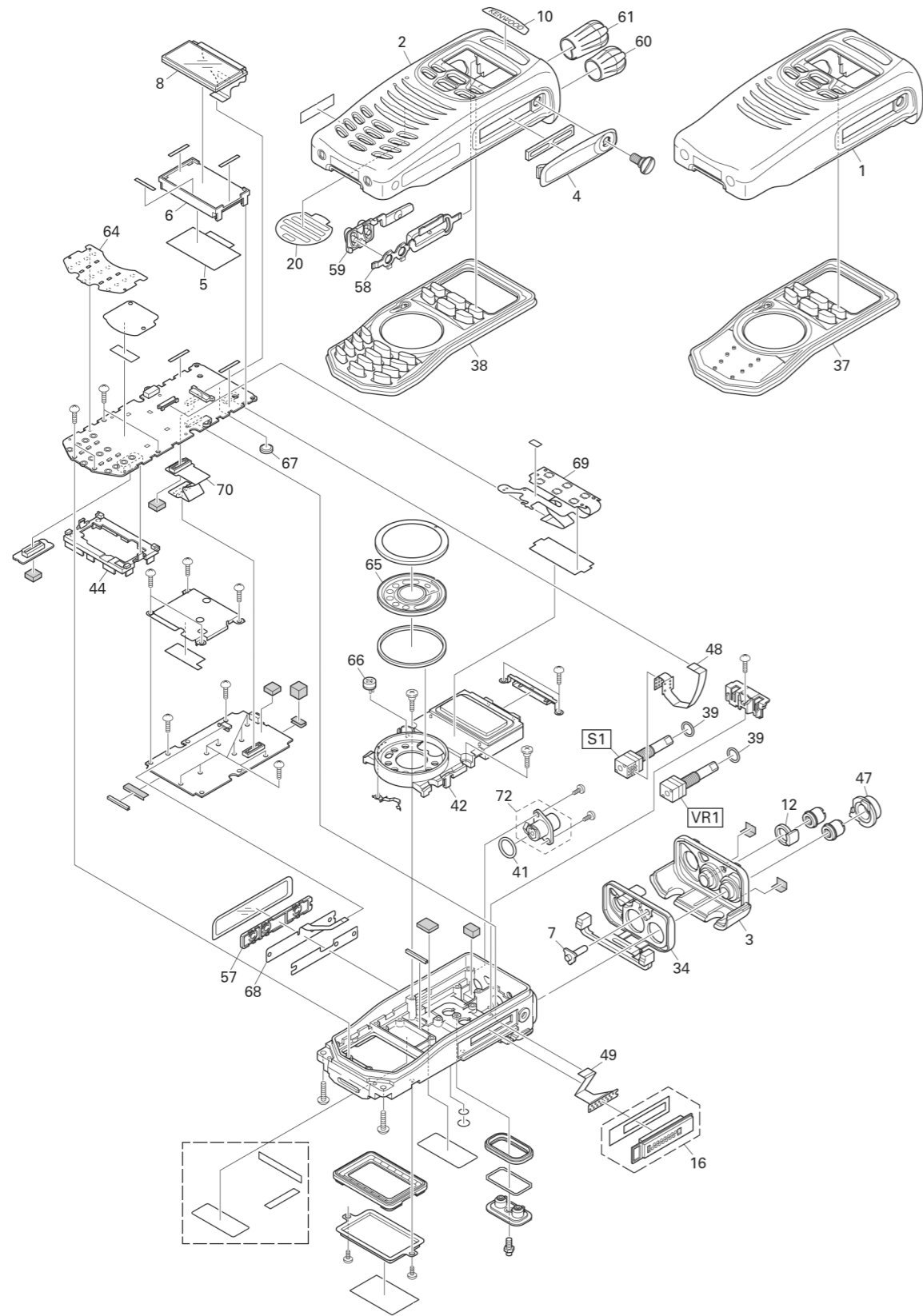


PACKING
NX-220 / 320

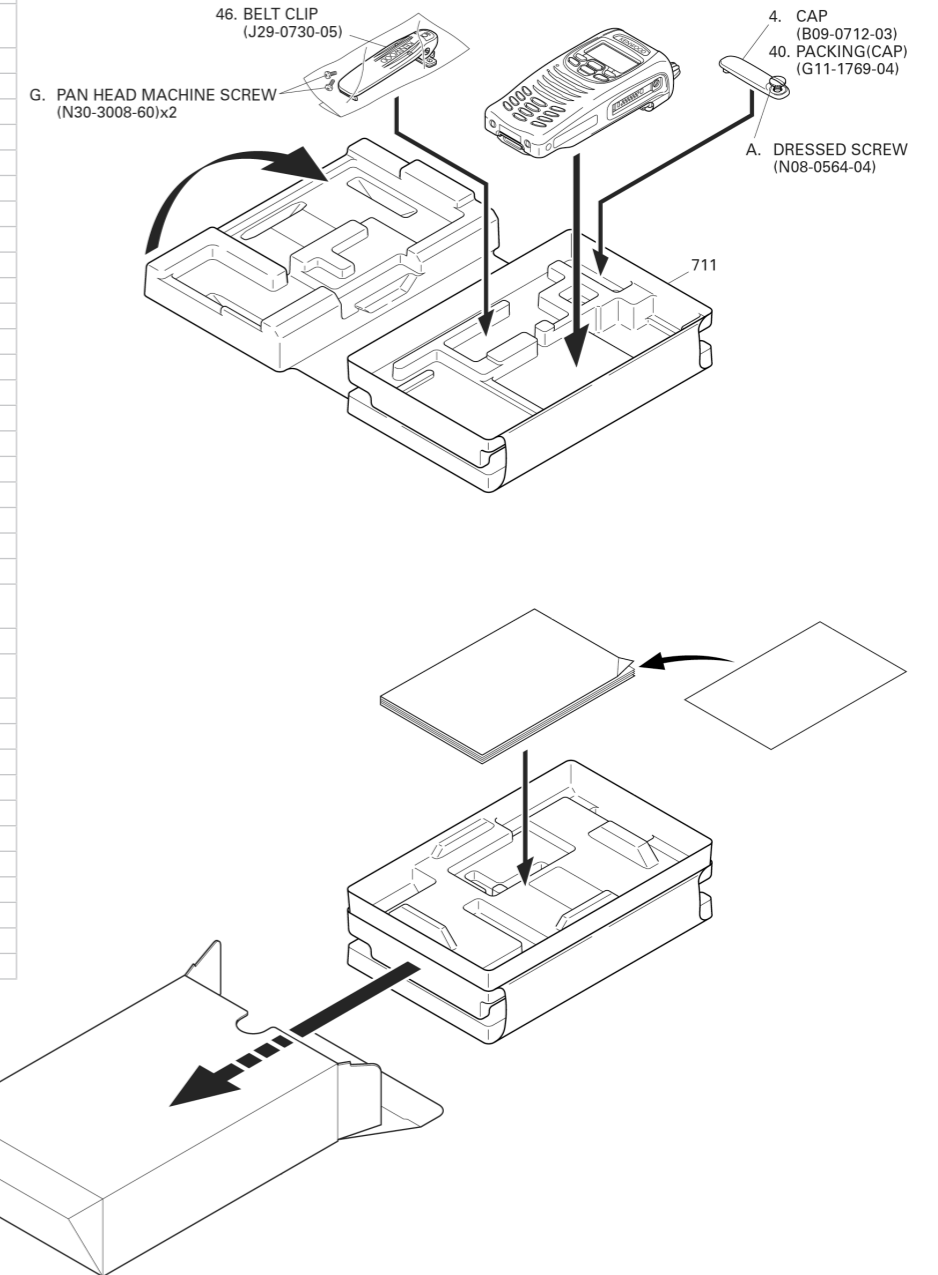
KENWOOD

No.	Part No.	Description
1	A02-4130-03	PLASTIC CABINET ASSY
2	A02-4131-03	PLASTIC CABINET ASSY (4KEY)
3	A02-4132-03	PLASTIC CABINET ASSY (16KEY)
6	B01-0694-13	ESCUTCHEON
7	B09-0686-03	CAP
8	B11-1869-04	ILLUMINATION GUIDE (TX/BUSY)
9	B11-1890-04	FILTER (LCD)
10	B11-1891-02	ILLUMINATION GUIDE (LCD)
11	B38-0935-05	LCD
16	D32-0454-04	STOPPER (16CH)
18	E04-0467-15	RF COAXIAL RECEPTACLE (SMA)
20	E29-1232-05	INTER CONNECTOR (LCD)
21	E37-1532-05	LEAD WIRE WITH CONNECTOR (SP/ECM)
22	E37-1537-05	FLAT CABLE (TXRX-DISPLAY)
23	E72-0435-03	TERMINAL BLOCK
26	G09-0443-04	KNOB SPRING (VOL/SELECTOR)
27	G10-1827-04	FIBROUS SHEET (SP)
28	G11-4272-14	RUBBER CUSHION (SP)
30	G11-4335-14	SHEET (LCD)
33	G11-4527-04	SHEET (SP)
34	G11-4543-04	SHEET (PTT)
35	G11-4558-04	SHEET (ECM)
36	G11-4561-04	SHEET (CHASSIS: TX/BUSY)
41	G53-1832-03	PACKING (JACK)
42	G53-1862-02	PACKING (TOP)
43	G53-1863-01	PACKING
44	G53-1864-01	PACKING (4KEY)
45	G53-1865-01	PACKING (16KEY)
46	G53-1866-04	PACKING (TERMINAL, ECM)
49	J19-5483-23	HOLDER
50	J19-5547-01	HOLDER (FG-SP)
51	J31-8631-03	MOUNTING HARDWARE (LCD)
52	J29-0701-15	BELT CUP
53	J87-0027-05	FPC (LEAD FREE) (PTT)
54	J87-0040-05	FPC (LEAD FREE) (VOL/SELECTOR)
56	K29-9500-03	KNOB (PTT)
57	K29-9501-03	BUTTON KNOB (SIDE1/SIDE2/AUX)
58	K29-9485-03	KNOB (VOL)
59	K29-9486-03	KNOB (SELECTOR)
A	N09-2438-05	BINDING HEAD SCREW (ANT)
B	N09-6608-05	SPECIAL SCREW (CASE)
C	N14-0864-04	CIRCULAR NUT (VOL)
D	N14-0865-04	CIRCULAR NUT (SELECTOR)
E	N30-3006-43	PAN HEAD MACHINE SCREW (ESCU)
F	N83-2005-48	PAN HEAD TAPTITE SCREW (PCB)
VR1	R31-0685-05	VARIABLE RESISTOR (VOL)
S101	S60-0448-05	ROTARY SWITCH (SELECTOR)
65	T07-0787-05	SPEAKER



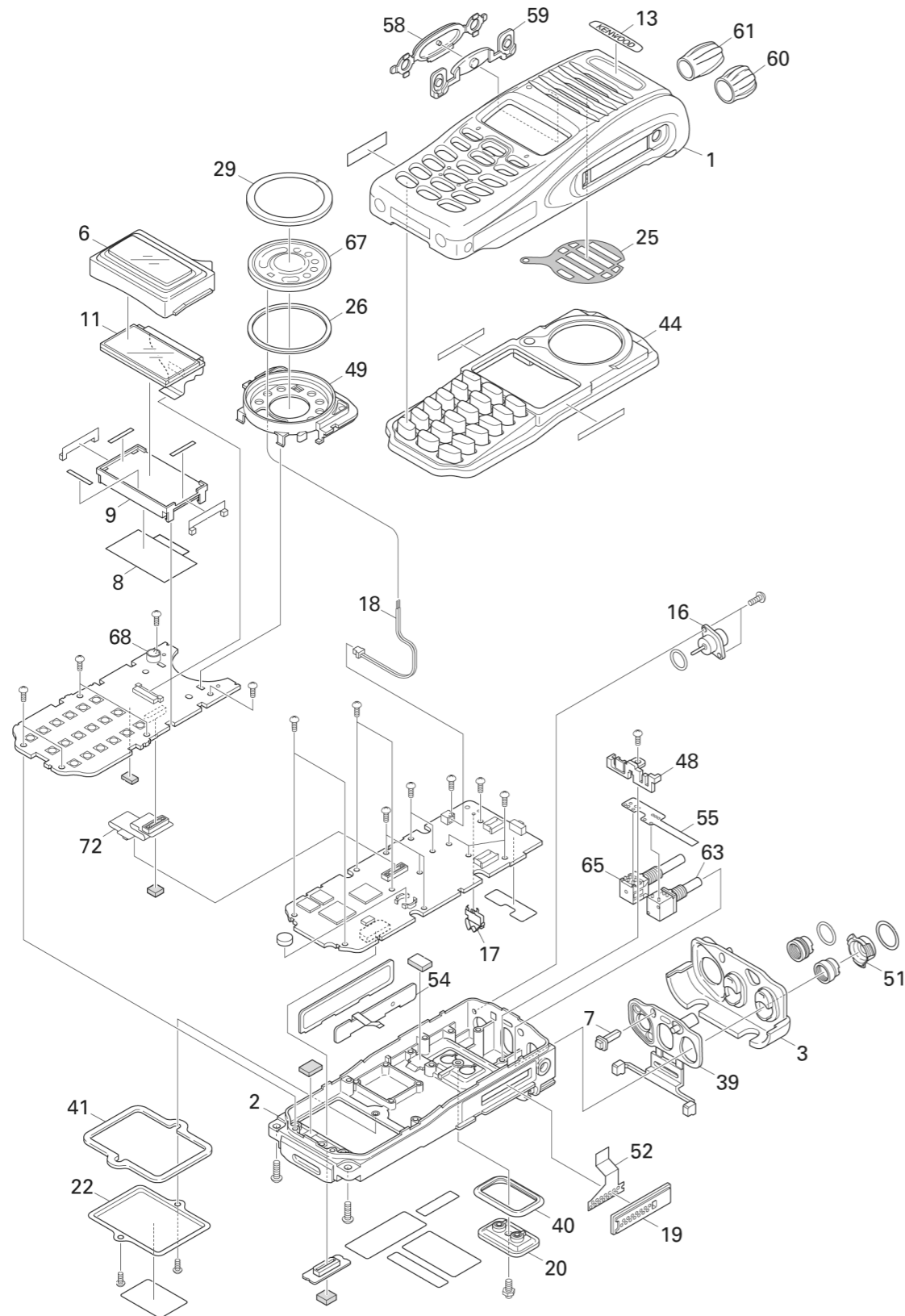


No.	Part No.	Description
1	A02-4002-13	PLASTIC CABINET (6KEY)
2	A02-4003-13	PLASTIC CABINET (18KEY)
3	A62-1156-02	PANEL(TOP)
4	B09-0712-03	CAP
5	B11-1853-24	FILTER (LCD)
6	B11-1854-02	ILLUMINATION GUIDE (LCD)
7	B11-1855-04	ILLUMINATION GUIDE (BUSY)
8	B38-0923-05	LCD ASSY
10	B43-1606-04	BADGE
12	D32-0446-14	STOPPER (16CH)
16	E58-0532-05	RECTANGULAR RECEPTACLE (SP/ MIC)
20	G10-1373-04	FIBROUS SHEET(SP)
34	G53-1762-02	PACKING (TOP)
37	G53-1765-11	PACKING (6KEY)
38	G53-1766-11	PACKING (18KEY)
39	G53-1768-04	PACKING (VOL,CH O-RING)
41	G53-1792-04	PACKING (SMA, O-RING)
42	J19-5505-11	HOLDER (FG-SP)
44	J19-5507-02	HOLDER (OP BOARD)
46	J29-0730-05	BELT CUP
47	J30-1296-04	SPACER (VOL)
48	J87-0006-05	FPC (LEAD FREE/VOL, CH)
49	J87-0007-05	FPC (LEAD FREE/UNIVERSAL)
57	K25-2001-03	PUSH KNOB (PTT)
58	K29-9405-03	KNOB (PTT)
59	K29-9406-03	BUTTON KNOB (SIDE KEY)
60	K29-9407-03	KNOB (VOL)
61	K29-9408-13	KNOB (CH)
A	N08-0564-04	DRESSED SCREW
B	N09-2426-14	HEXAGON HEAD SCREW (BATT-)
C	N09-2440-15	SPECIAL SCREW (CASE)
D	N09-6549-04	STEPPED SCREW (FG-SP HOLDER)
E	N09-6554-05	PAN HEAD SCREW (ANT/OP BOARD)
F	N14-0844-04	CIRCULAR NUT (VOL, CH)
G	N30-3008-60	PAN HEAD MACHINE SCREWN(-BELT CLIP)
H	N83-2005-48	PAN HEAD TAPTITE SCREW (PCB)
64	S79-0472-05	KEYBOARD ASSY (12KEY)
65	T07-0755-15	SPEAKER
66	T91-0575-05	MIC ELEMENT
67	W09-0971-05	LITHIUM CELL
68	X41-3710-10	SWITCH UNIT (PTT FPC)
69	X41-3720-10	SWITCH UNIT (6KEY FPC)
70	X42-3340-10	CORD ASSY (50PIN FPC)
72	X60-3860-10	TERMINAL ASSY (SMA)
VR1	R31-0666-05	VARIABLE RESISTOR (VOL)
S1	S60-0437-05	ROTARY SWITCH (CH)



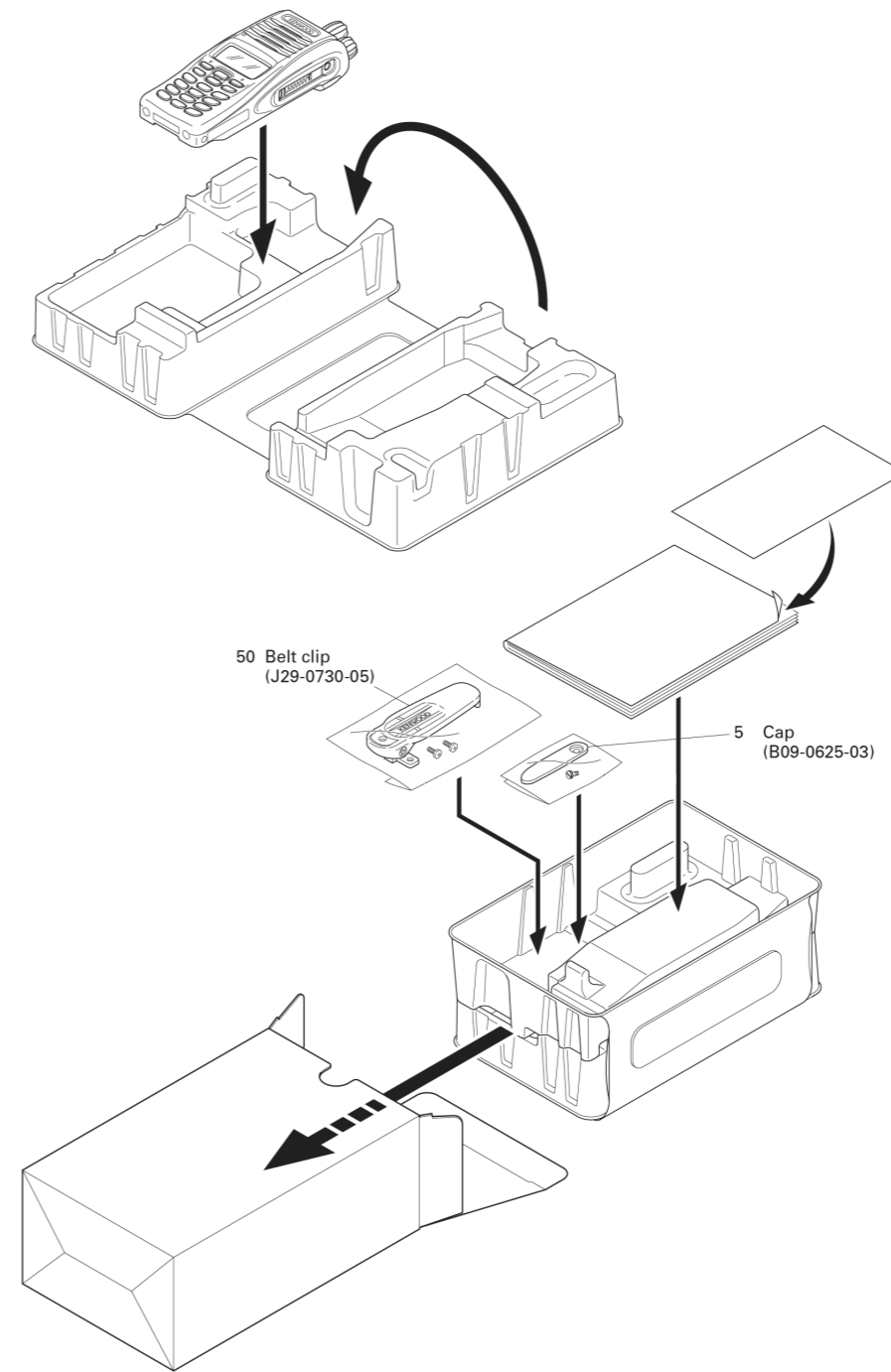
EXPLODED VIEW
NX-410

KENWOOD



PACKING
NX-410

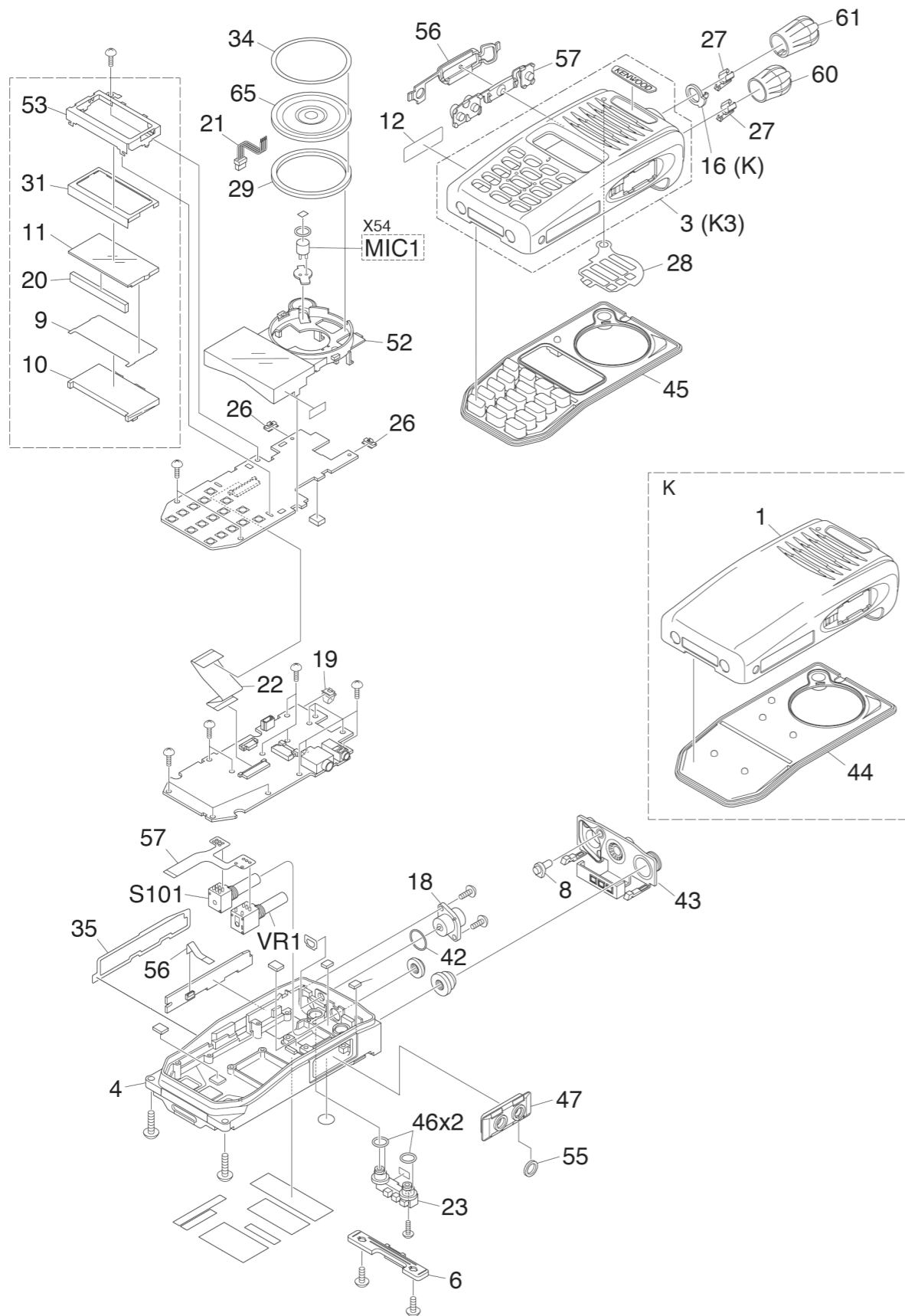
KENWOOD



No.	Part No.	Description
1	A02-4076-01	MAIN CABINET (18KEY)
2	A10-4132-03	CHASSIS
3	A62-1093-12	PANEL (TOP)
5	B09-0625-03	CAP
6	B10-2795-02	FRONT GLASS
7	B11-1820-04	ILLUMINATION GUIDE (TX/BUSY)
8	B11-1853-24	FILTER (LCD)
9	B11-1854-02	ILLUMINATION GUIDE (LCD)
11	B38-0923-05	LCD ASSY
13	B43-1606-04	BADGE
16	E04-0416-25	RF COAXIAL RECEPTACLE (SMA)
17	E23-1104-04	TERMINAL (ANT)
18	E37-1462-05	LEAD WIRE WITH CONNECTOR (SMA)
19	E58-0511-15	RECTANGULAR RECEPTACLE (SP/MIC)
20	E72-0419-33	TERMINAL BLOCK
22	F07-1880-04	COVER (OP BOARD)
25	G10-1400-04	FIBROUS SHEET (SP)
26	G11-4272-14	RUBBER CUSHION (SP)
29	G11-4458-14	SHEET (SP)
39	G53-1600-12	PACKING (TOP)
40	G53-1601-04	PACKING (TERMINAL BLOCK)
41	G53-1602-14	PACKING (OP BOARD COVER)
44	G53-1823-11	PACKING (18KEY)
48	J19-5478-03	HOLDER (VOL/SELECTOR)
49	J19-5529-02	HOLDER (SP)
50	J29-0730-05	BELT CUP
51	J30-1279-04	SPACER (VOL)
52	J82-0090-35	FPC (UNIVERSAL)
54	J82-0091-35	FPC (PTT)
55	J87-0024-05	FPC (VOL/SELECTOR)
58	K29-9302-33	KNOB (PTT)
59	K29-9303-03	BUTTON KNOB (SIDE)
60	K29-9304-03	KNOB (VOLUME)
61	K29-9305-03	KNOB (SELECTOR)
A	N08-0548-24	DRESSED SCREW
B	N09-2426-14	HEXAGON HEAD SCREW (BATT-)
C	N09-6565-05	PAN HEAD SCREW (CASE/CHASSIS)
D	N14-0806-04	CIRCULAR NUT (VOL)
E	N14-0810-04	CIRCULAR NUT (SELECTOR)
F	N30-2004-43	PAN HEAD MACHINE SCREW (OPB/FET)
G	N30-2604-48	PAN HEAD MACHINE SCREW (ANT)
H	N30-3008-60	PAN HEAD MACHINE SCREW (CLIP)
J	N83-2005-48	PAN HEAD MACHINE SCREW (PCB)
K	N83-2006-43	PAN HEAD MACHINE SCREW (HOLDER)
63	R31-0652-15	VARIABLE RESISTOR (VOL)
65	S60-0430-05	ROTARY SWITCH (SELECTOR)
67	T07-0749-25	SPEAKER
68	T91-0579-05	MIC ELEMENT
72	X42-3340-10	CORD ASSY (50PIN FCP)

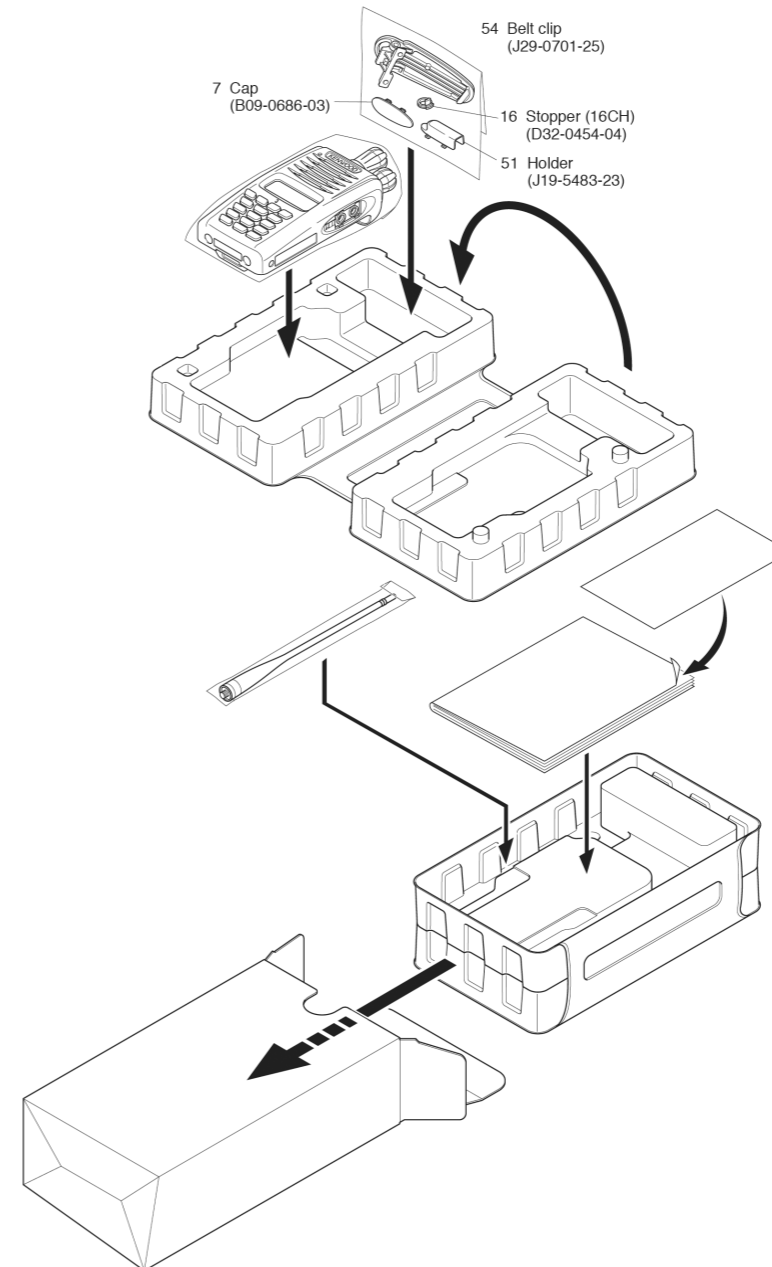
EXPLODED VIEW
NX-420

KENWOOD



PACKING
NX-420

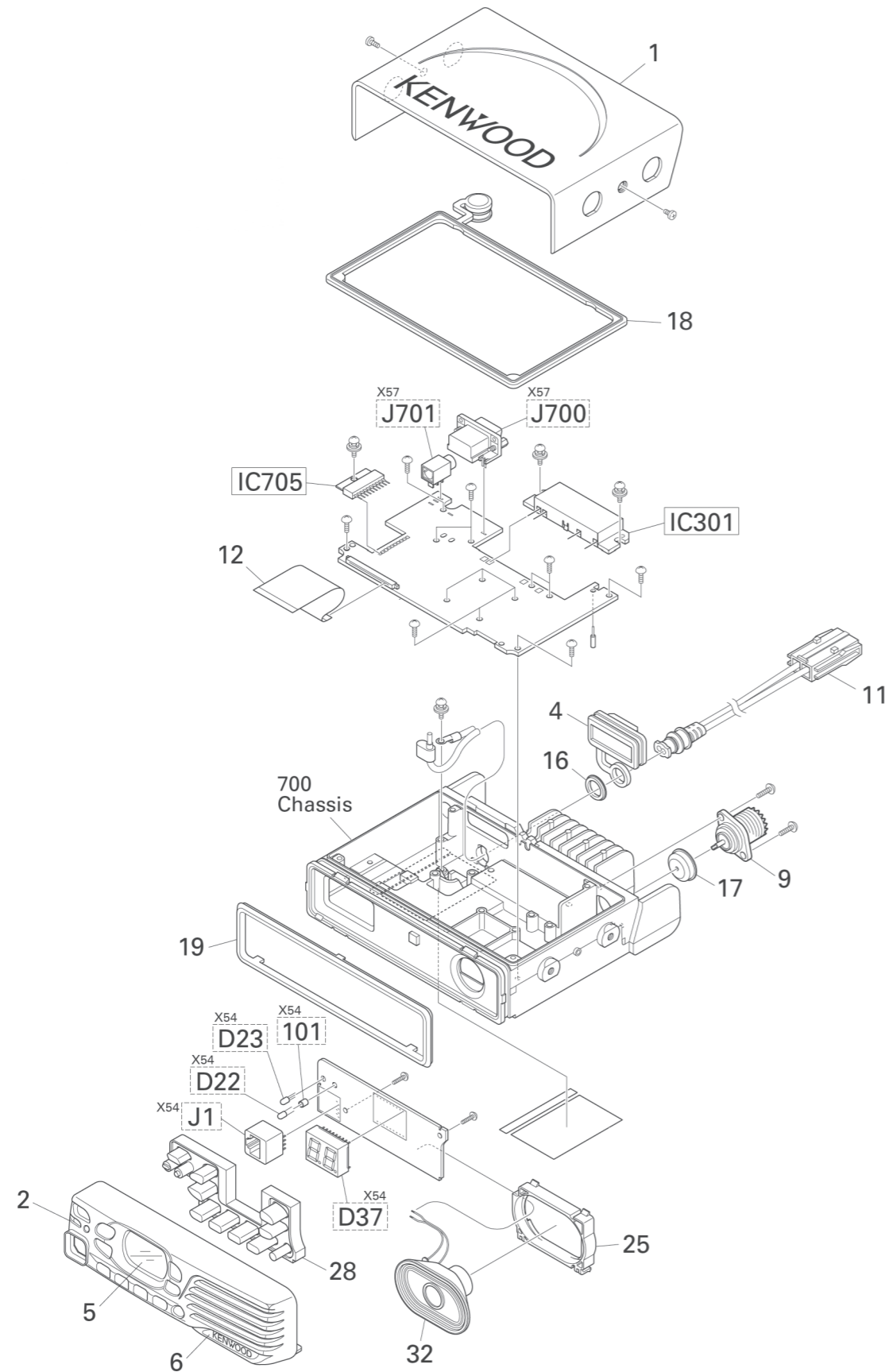
KENWOOD



No.	Part No.	Description
1	A02-4130-13	PLASTIC CABINET ASSY
3	A02-4132-13	PLASTIC CABINET ASSY (16KEY)
4	A10-4148-01	CHASSIS
6	B01-0694-13	ESCUTCHEON
7	B09-0686-03	CAP (ACCESSORY)
8	B11-1869-04	ILLUMINATION GUIDE (TX/BUSY)
9	B11-1890-02	FILTER (LCD)
10	B11-1891-02	ILLUMINATION GUIDE (LCD)
11	B38-0935-05	LCD
12	B42-7417-04	STICKER
16	D32-0454-04	STOPPER (16CH)
18	E04-0467-15	RF COAXIAL RECEPTACLE (SMA)
19	E23-1363-04	TERMINAL (ANT)
20	E29-1232-05	INTER CONNECTOR (LCD)
21	E37-1532-15	LEAD WIRE WITH CONNECTOR
22	E37-1537-05	FLAT CABLE (X57-X54)
23	E72-0435-03	TERMINAL BLOCK
26	G02-1864-04	EARTH SPRING (X54)
27	G09-0443-04	KNOB SPRIN (VOL/SEL)
28	G10-1827-04	FIBROUS SHEET (SP)
29	G11-4272-14	RUBBER CUSHION (SP)
31	G11-4335-14	SHEET (LCD)
34	G11-4527-04	SHEET (SP)
35	G11-4543-04	SHEET (PTT)
42	G53-1603-04	PACKING (SMA)
43	G53-1862-02	PACKING (TOP/BATT)
44	G53-1863-01	PACKING
45	G53-1865-11	PACKING (16KEY)
46	G53-1866-04	PACKING (TERMINAL)
47	G53-1885-03	PACKING (JACK)
51	J19-5483-23	HOLDER (ACCESSORY)
52	J19-5547-01	HOLDER (FG- SP)
53	J21-8631-03	MOUNTING HARDWARE (LCD)
54	J29-0701-25	BELT CUP (ACCESSORY)
55	J69-0370-04	RING (JACK)
56	J87-0027-05	FPC (PTT)
57	J87-0040-05	FPC (VOL/SEL)
60	K29-9500-03	KNOB (PTT)
61	K29-9501-03	BUTTON KNOB (PTT)
A	N09-2438-05	BINDING HEAD SCREW (ANT)
B	N09-6608-05	SPECIAL SCREW
C	N14-0864-04	CIRCULAR NUT (VOLUME)
D	N14-0865-04	CIRCULAR NUT (SELECTOR)
E	N30-3006-43	PAN HEAD MACHINE SCREW
F	N83-2005-48	PAN HEAD TAPTITE SCREW (X54/57)
VR1	R31-0685-05	VARIABLE RESISTOR (VOLUME)
S101	S60-0448-05	ROTARY SWITCH (SELECTOR)
65	T07-0787-05	SPEAKER
MIC1	T91-0673-05	MIC ELEMENT

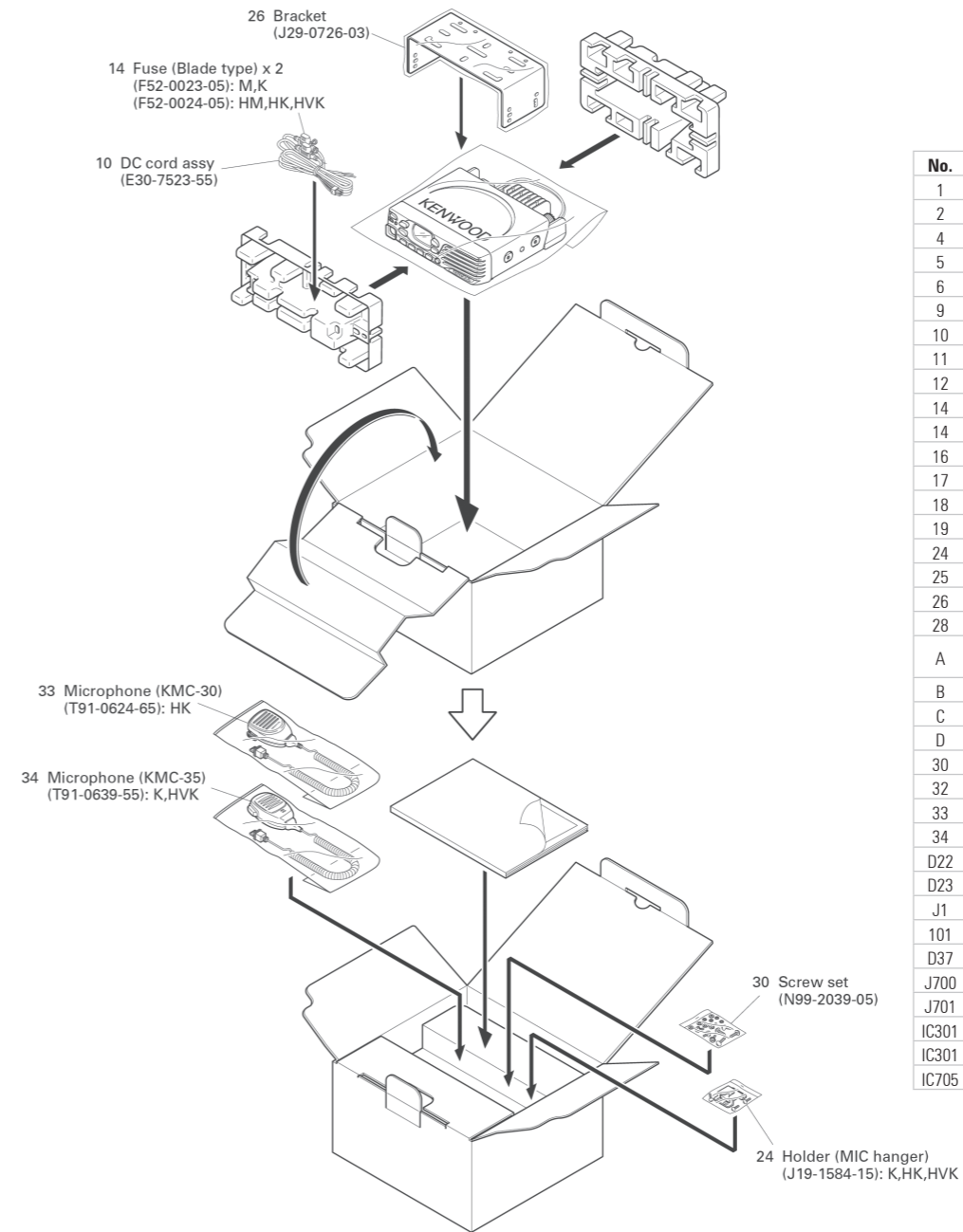
EXPLODED VIEW
TK-7302 / 8302

KENWOOD



PACKING
TK-7302 / 8302

KENWOOD

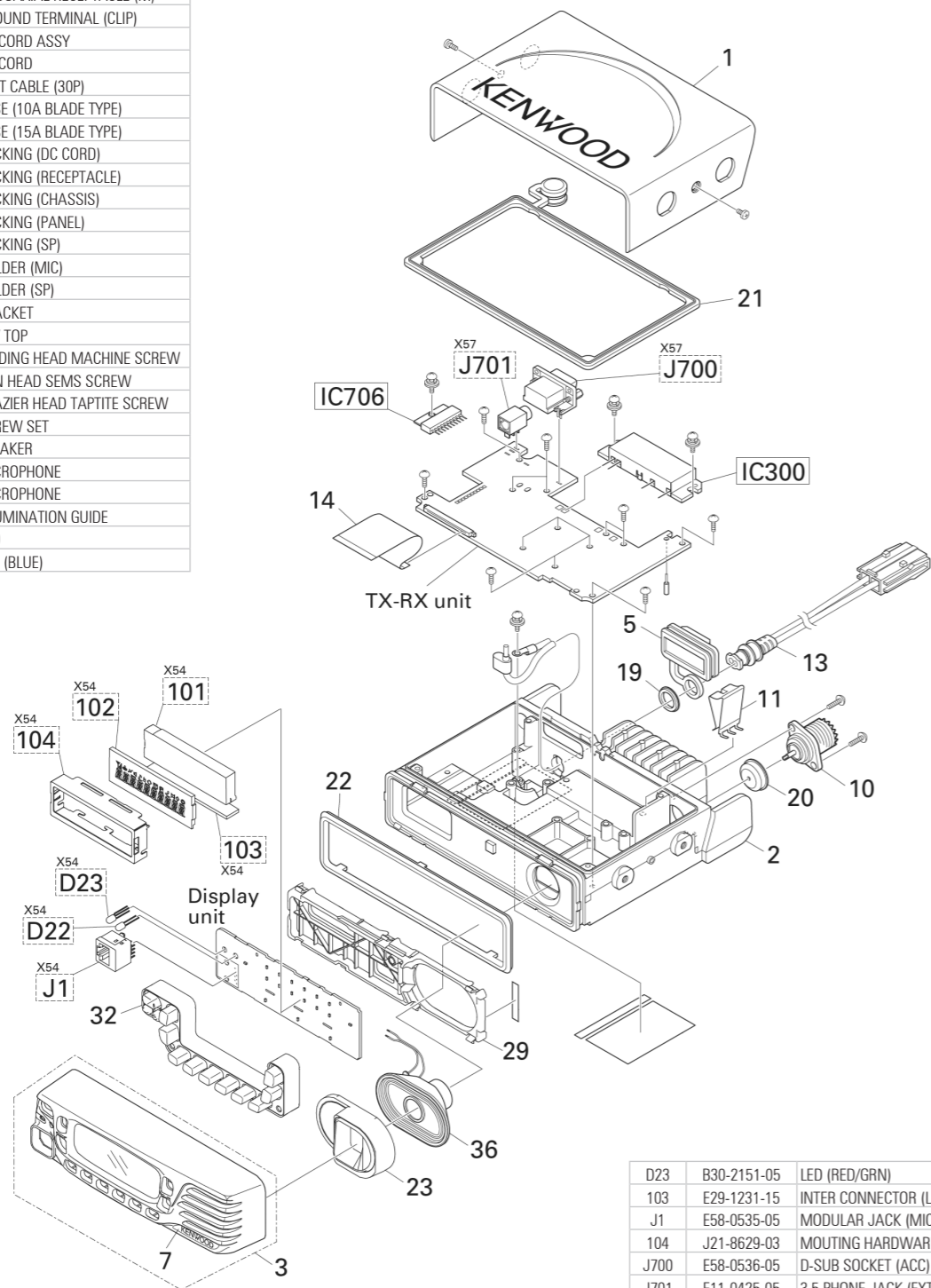


No.	Part No.	Description
1	A02-4073-01	PLASTIC CABINET
2	A62-1171-03	PANEL ASSY
4	B09-0732-03	CAP (D-SUB)
5	B10-2794-03	FRONT GLASS
6	B43-1629-04	BADGE
9	E04-0167-15	RF COAXIAL RECEPTACLE (M)
10	E30-7523-55	DC CORD ASSY
11	E30-7684-05	DC CORD
12	E37-1461-05	FLAT CABLE (30P PANEL)
14	F52-0023-05	FUSE (BLADE TYPE) 10A
14	F52-0024-05	FUSE (BLADE TYPE) 15A
16	G53-1643-04	PACKING (DC CORD)
17	G53-1662-04	PACKING (RECEPTACLE)
18	G53-1819-01	PACKING (CHASSIS)
19	G53-1820-03	PACKING (PANEL)
24	J19-1584-15	HOLDER (MIC HANGER)
25	J19-5528-03	HOLDER (SPEAKER)
26	J29-0726-03	BRACKET
28	K29-9448-01	KEY TOP
A	N35-2604-43	BINDING HEAD MACHINE SCREW
B	N67-3008-48	PAN HEAD SEMS SCREW
C	N80-2008-48	PAN HEAD TAPTITE SCREW
D	N87-2608-48	BRAZIER HEAD TAPTITE SCREW
30	N99-2039-05	SCREW SET
32	T07-0785-05	SPEAKER
33	T91-0624-65	MICROPHONE (KMC-30)
34	T91-0639-55	MICROPHONE (KMC-35)
D22	B30-2321-05	LED (BLUE LED)
D23	B30-2151-05	LED (RED/GREEN)
J1	E58-0535-05	MODULAR JACK
101	J31-0565-15	COLLAR
D37	HDSP-521A	LED
J700	E58-0536-05	SUB SOCKET (D)
J701	E11-0425-05	3.5 PHONE JACK (3P)
IC301	RA60H1317M1A	MOS-IC
IC301	S-AV33A	MOS-IC
IC705	LA4600	BI-POLAR IC

EXPLODED VIEW
TK-7360 / 8360

KENWOOD

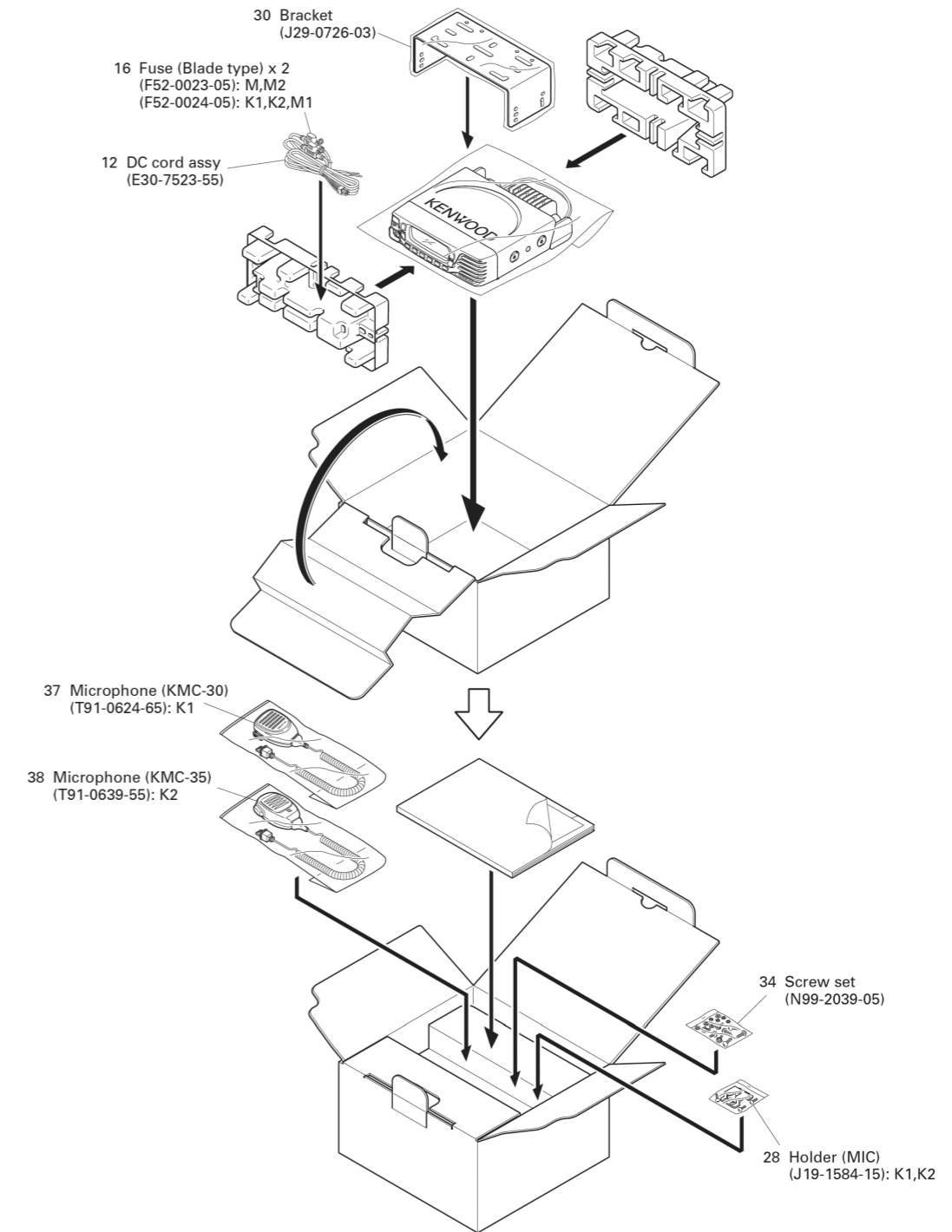
No.	Part No.	Description
1	A02-4073-21	PLASTIC CABINET
2	A10-4129-01	CHASSIS
3	A62-1180-13	PANEL ASSY
5	B09-0732-03	CAP (D-SUB)
7	B43-1650-04	BADGE
10	E04-0167-15	RF COAXIAL RECEPTACLE (M)
11	E23-1346-14	GROUND TERMINAL (CLIP)
12	E30-7523-55	DC CORD ASSY
13	E30-7684-05	DC CORD
14	E37-1461-05	FLAT CABLE (30P)
16	F52-0023-05	FUSE (10A BLADE TYPE)
16	F52-0024-05	FUSE (15A BLADE TYPE)
19	G53-1643-04	PACKING (DC CORD)
20	G53-1662-04	PACKING (RECEPTACLE)
21	G53-1819-21	PACKING (CHASSIS)
22	G53-1820-03	PACKING (PANEL)
23	G53-1858-03	PACKING (SP)
28	J19-1584-15	HOLDER (MIC)
29	J19-5542-02	HOLDER (SP)
30	J29-0726-03	BRACKET
32	K29-9479-01	KEY TOP
A	N35-2604-43	BINDING HEAD MACHINE SCREW
B	N67-3008-48	PAN HEAD SEMS SCREW
C	N87-2608-48	BRAZIER HEAD TAPTITE SCREW
34	N99-2039-05	SCREW SET
36	T07-0785-15	SPEAKER
37	T91-0624-65	MICROPHONE
38	T91-0639-55	MICROPHONE
101	B11-1885-03	ILLUMINATION GUIDE
102	B38-0936-05	LCD
D22	B30-2321-05	LED (BLUE)



D23	B30-2151-05	LED (RED/GRN)
103	E29-1231-15	INTER CONNECTOR (LCD)
J1	E58-0535-05	MODULAR JACK (MIC)
104	J21-8629-03	MOUNTING HARDWARE (LCD)
J700	E58-0536-05	D-SUB SOCKET (ACC)
J701	E11-0425-05	3.5 PHONE JACK (EXT-SP)
IC300	RA60H1317M1A	POWER MODULE
IC300	S-AV33A	POWER MODULE
IC706	LA4600	BI-POLAR IC

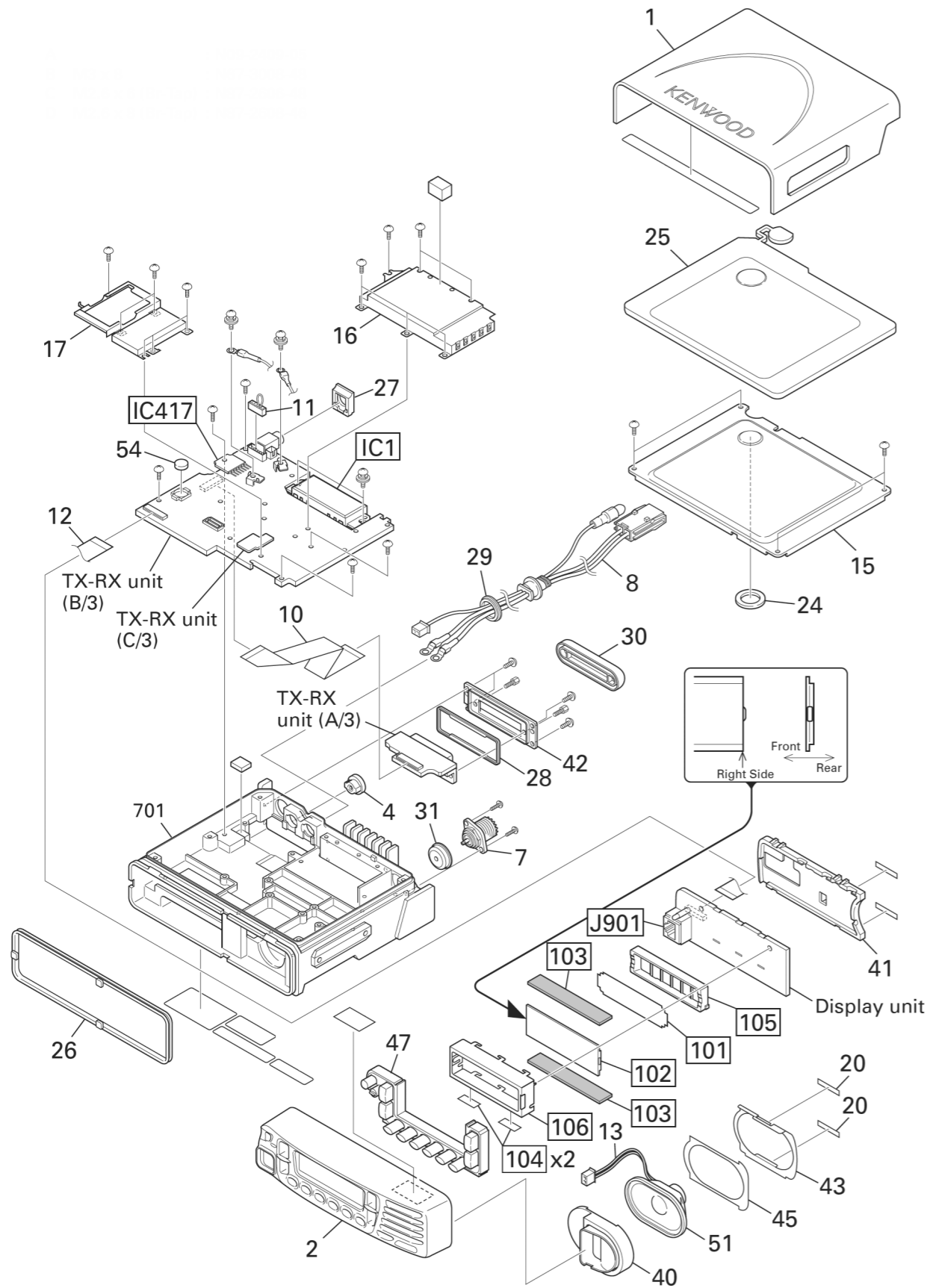
PACKING
TK-7360 / 8360

KENWOOD



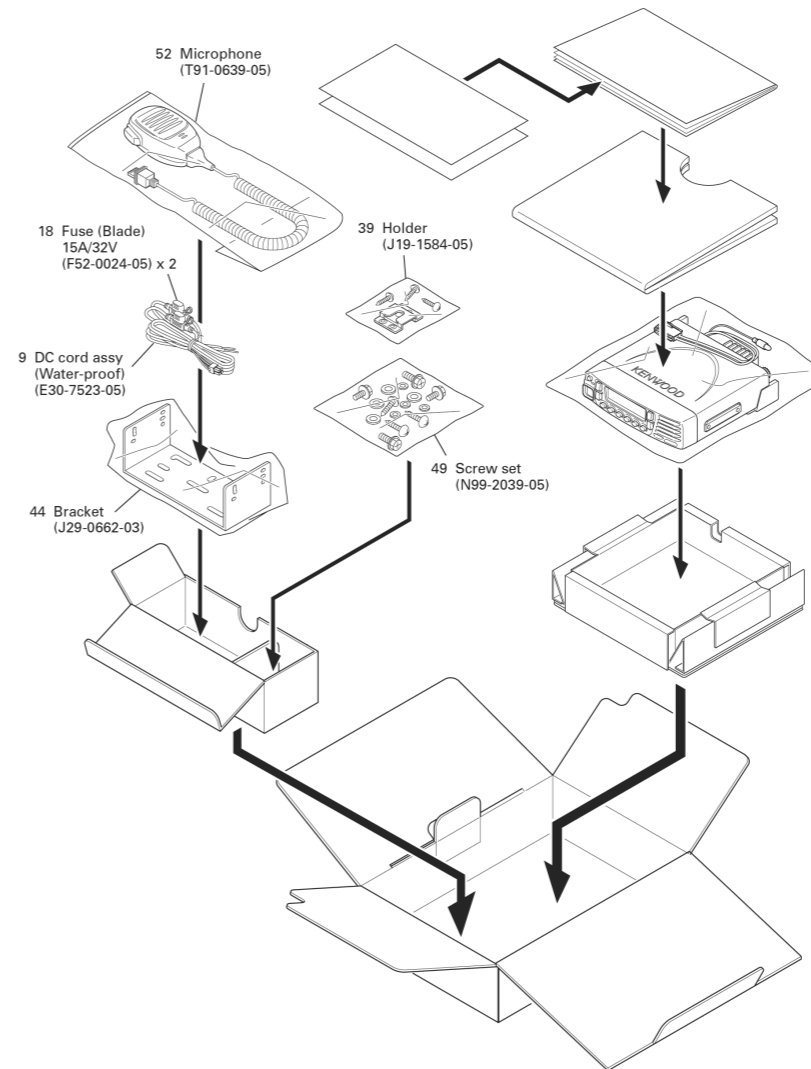
EXPLODED VIEW
TK-7180 / 8180

KENWOOD



PACKING
TK-7180 / 8180

KENWOOD

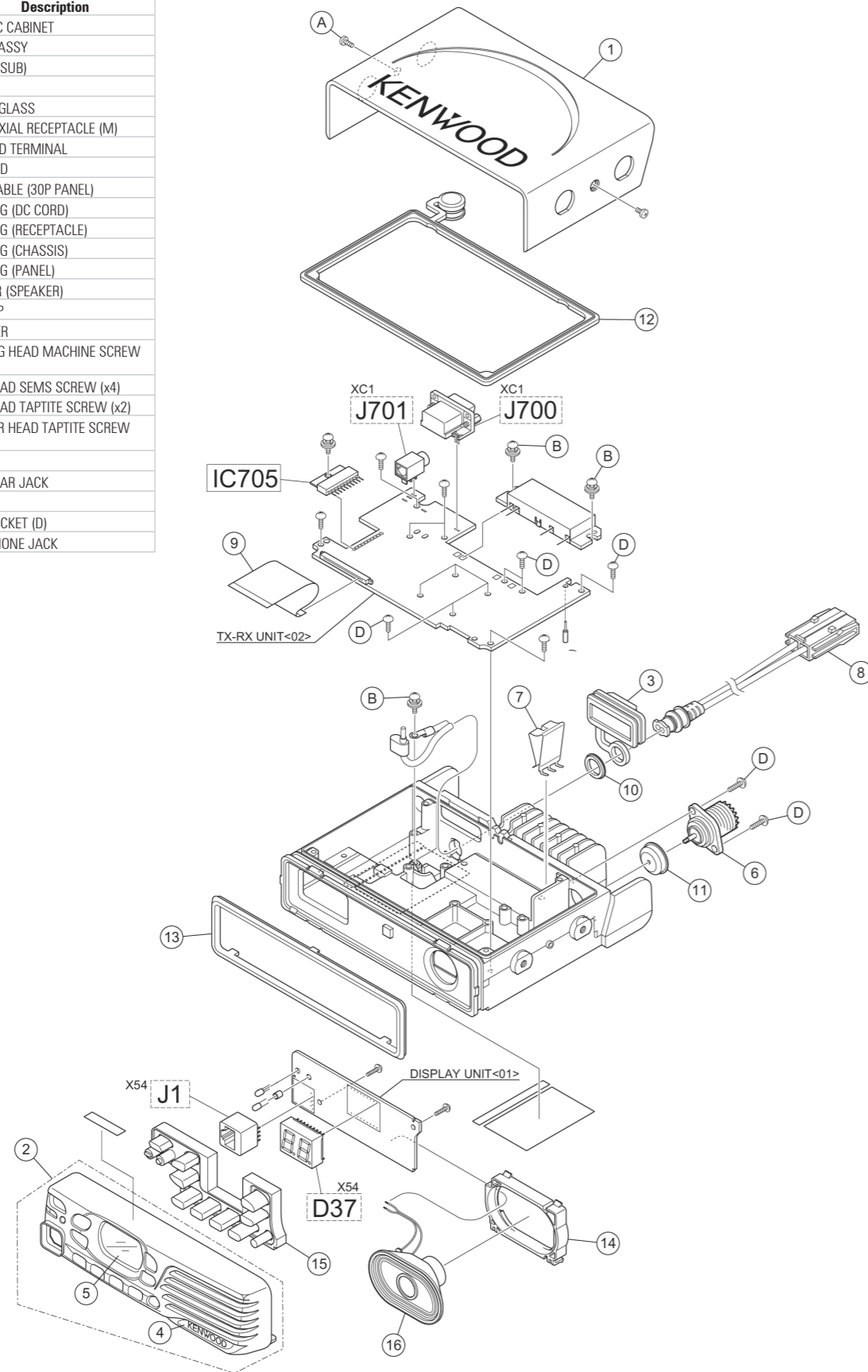


No.	Part No.	Description
1	A01-2194-11	METALLIC CABINET
2	A62-1094-23	PANEL ASSY
4	B09-0681-03	CAP (KAP-2)
7	E04-0167-05	RF COAXIAL RECEPTACLE (M)
8	E30-7520-05	DC CORD (PIG TAIL)
9	E30-7523-05	DC CORD ASSY (WATER-PROOF)
10	E37-1110-15	FLAT CABLE (30P/D-SUB)
11	E37-1118-05	LEAD WIRE WITH CONNECTOR (SHORT CABLE)
12	E37-1120-15	FLAT CABLE (30P/TX-RX)
13	E37-1124-05	LEAD WIRE WITH CONNECTOR (2P/SP)
15	F10-2488-02	SHIELDING PLATE (CHASSIS)
16	F10-2489-03	SHIELDING CASE (FINAL)
17	F10-2490-03	SHIELDING CASE (VCO)
18	F52-0024-05	FUSE (BLADE TYPE) 15A/32V
19	G02-1824-04	EARTH SPRING
20	G10-1342-04	FIBROUS SHEET (BIRITSUKI)
24	G13-2047-04	CUSHION (DC SCREW)
25	G53-1613-01	PACKING (SHIELD PLATE)
27	G53-1616-03	PACKING (PHONE JACK)
28	G53-1626-03	PACKING (D-SUB OUTER)
29	G53-1643-04	PACKING (DC CORD)
30	G53-1645-03	PACKING (D-SUB INNER)
31	G53-1662-04	PACKING (ANT M TYPE)
32	G53-1676-03	PACKING (CHASSIS)
39	J19-1584-05	HOLDER (ACCESSORY)
40	J19-5464-13	HOLDER (SP)
41	J19-5485-02	HOLDER (PANEL)
42	J21-8479-02	HARDWARE FIXTURE (D-SUB)
43	J21-8481-03	HARDWARE FIXTURE (SP)
44	J29-0662-03	BRACKET (ACCESSORY)
45	J30-1289-04	SPACER (SP)
47	K29-9349-01	KEY TOP
A	N09-2409-05	HEXAGON HEAD SCREW (D-SUB)
B	N67-3008-48	PAN HEAD SEMS SCREW (FINAL IC)
C	N87-2606-48	BRAZIER HEAD TAPTITE SCREW (ANT, PCB)
D	N87-2608-43	BRAZIER HEAD TAPTITE SCREW (AUDIO IC)
49	N99-2039-05	SCREW SET (ACCESSORY)
51	T07-0757-05	SPEAKER
52	T91-0639-05	MICROPHONE (ACCESSORY)
101	B11-1825-04	FILTER (LCD)
104	E29-1202-04	INTER CONNECTOR (LCD)
J901	E08-0877-05	MODULAR JACK
107	J19-5467-03	HOLDER (LCD)
108	J21-8470-03	MOUNTING HARDWARE (LCD)
103	B38-0915-05	LCD
105	E29-1207-04	INTER CONNECTOR (LCD)
IC1	RA60H1317M1-23	MOS-IC
IC417	TA7252AP	ANALOGUE IC

EXPLODED VIEW
NX-740H / 840H

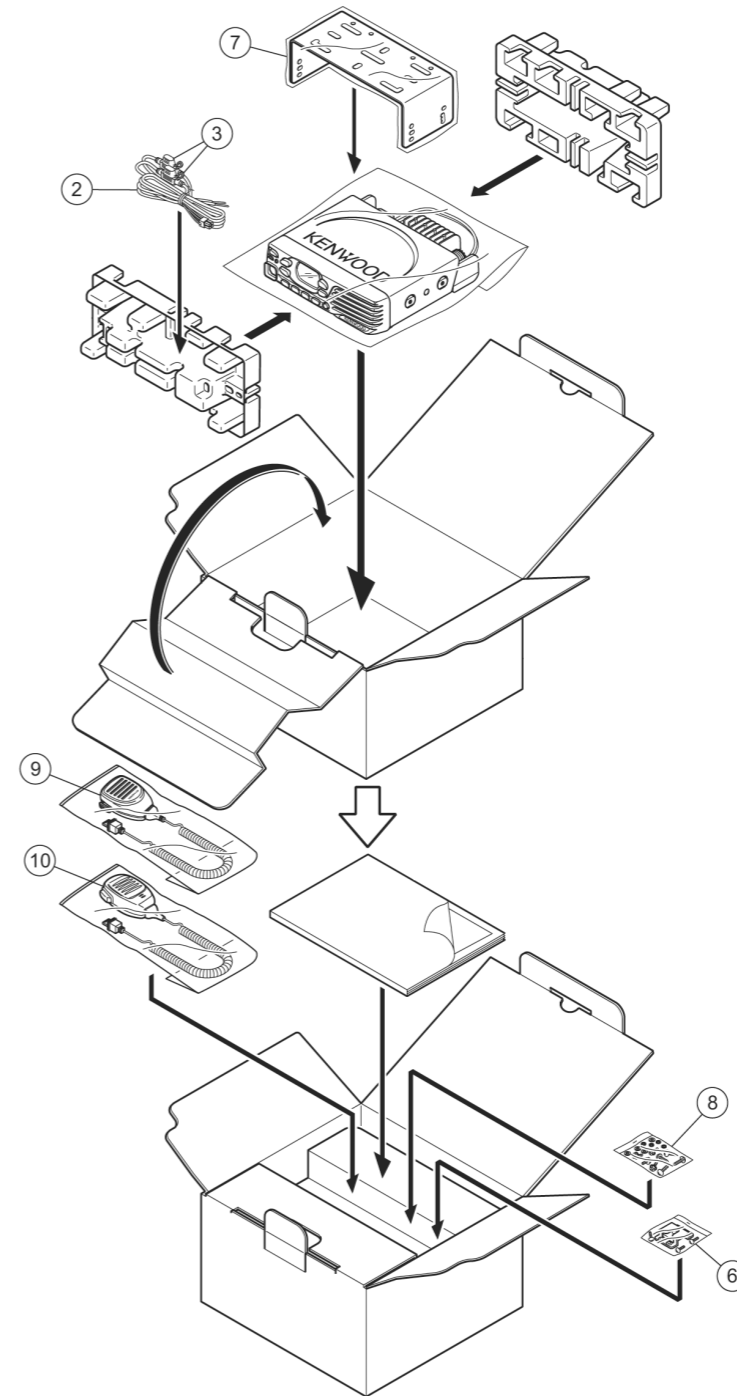
KENWOOD

No.	Part No.	Description
1	A02-4073-21	PLASTIC CABINET
2	A6A-0004-00	PANEL ASSY
3	B09-0732-03	CAP (D-SUB)
4	B4D-0003-00	BADGE
5	B10-2794-03	FRONT GLASS
6	E04-0167-15	RF COAXIAL RECEPTACLE (M)
7	E23-1346-04	GROUND TERMINAL
8	E30-7684-25	DC CORD
9	E37-1461-05	FLAT CABLE (30P PANEL)
10	G53-1643-04	PACKING (DC CORD)
11	G53-1662-04	PACKING (RECEPTACLE)
12	G53-1819-21	PACKING (CHASSIS)
13	G53-1820-03	PACKING (PANEL)
14	J19-5528-03	HOLDER (SPEAKER)
15	K29-9448-01	KEY TOP
16	T07-0785-15	SPEAKER
A	N35-2604-43	BINDING HEAD MACHINE SCREW (x2)
B	N67-3008-48	PAN HEAD SEMS SCREW (x4)
C	N80-2008-48	PAN HEAD TAPTITE SCREW (x2)
D	N87-2608-48	BRAZIER HEAD TAPTITE SCREW (x14)
D37	HDSP-521A	LED
J1	J1	MODULAR JACK
J705	CMX7141	MOS-IC
J700	E58-0567-05	SUB SOCKET (D)
J701	E1B-0001-00	3.5D PHONE JACK



PACKING
NX-740H / 840H

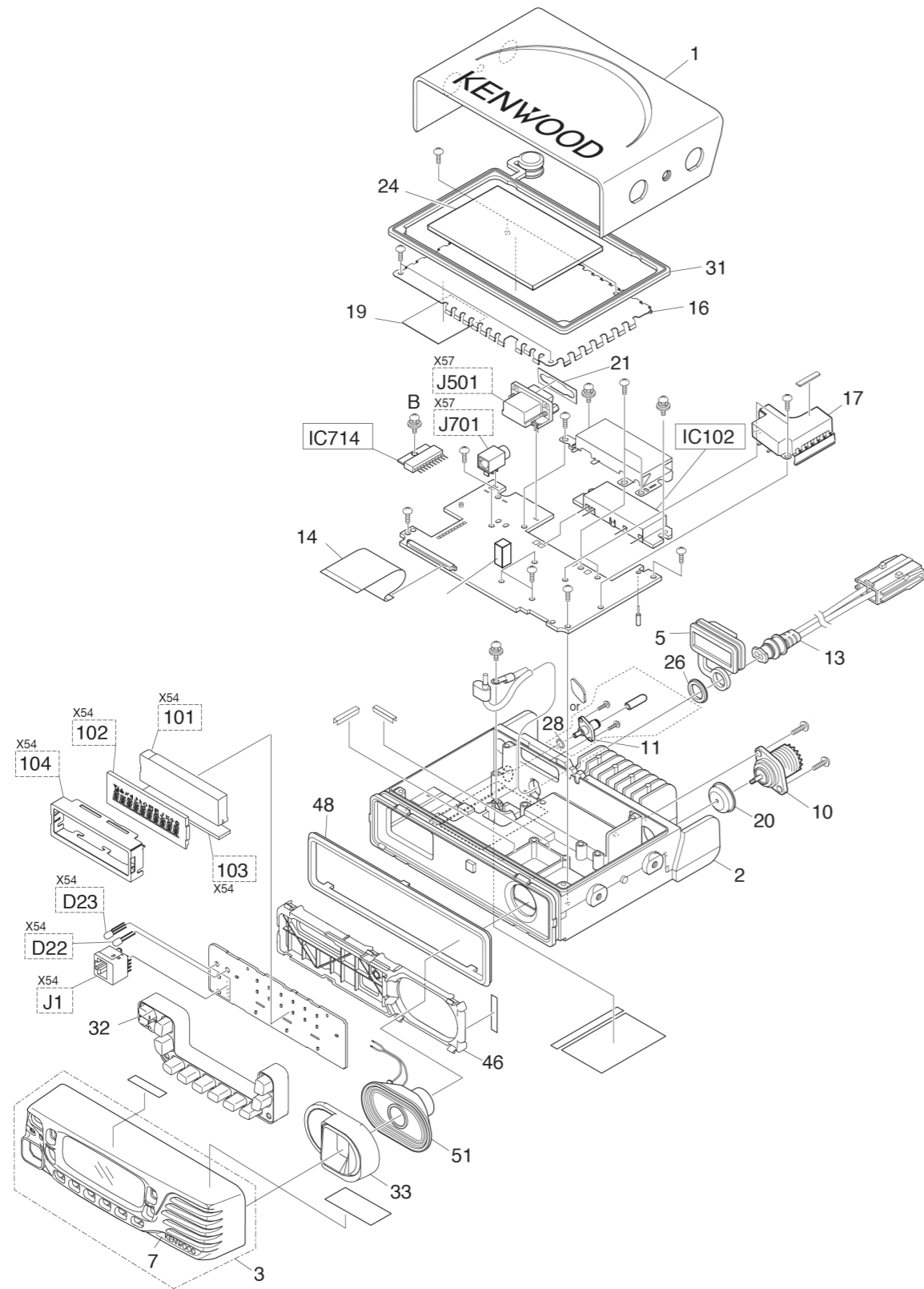
KENWOOD



No.	Part No.	Description
2	E30-7523-55	DC CORD ASSY ACCESSORY
3	F52-0024-05	FUSE(BLADE TYPE)15A ACCESSORY
6	J19-1584-15	HOLDER(MIC HANGER)
7	J29-0726-03	BRACKET ACCESSORY
8	N99-2039-05	SCREW SET
9	T91-0624-65	MICROPHONE(KMC-30)ACCESSORY
10	T91-0639-65	MICROPHONE(KMC-35)ACCESSORY

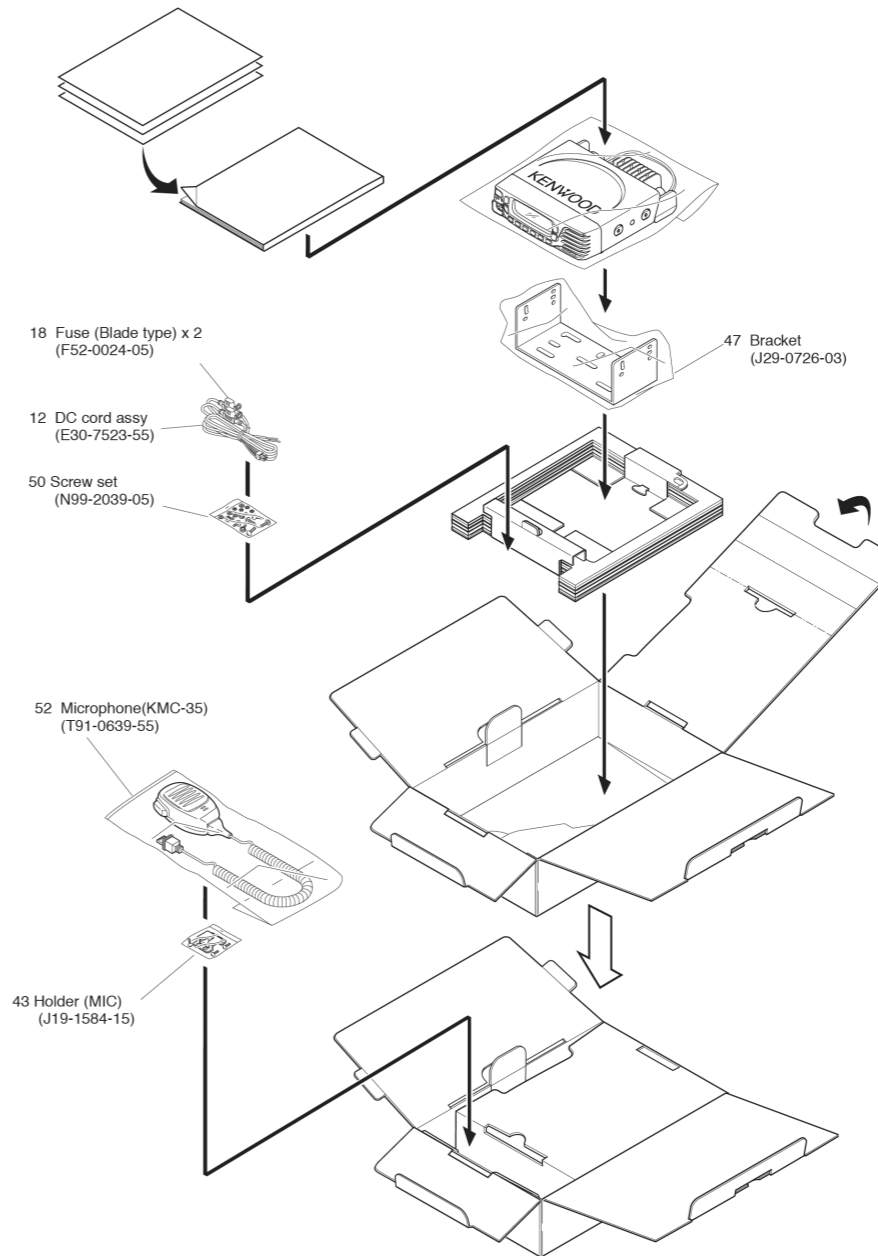
EXPLODED VIEW
NX-720 / 820HG

KENWOOD



PACKING
NX-720 / 820HG

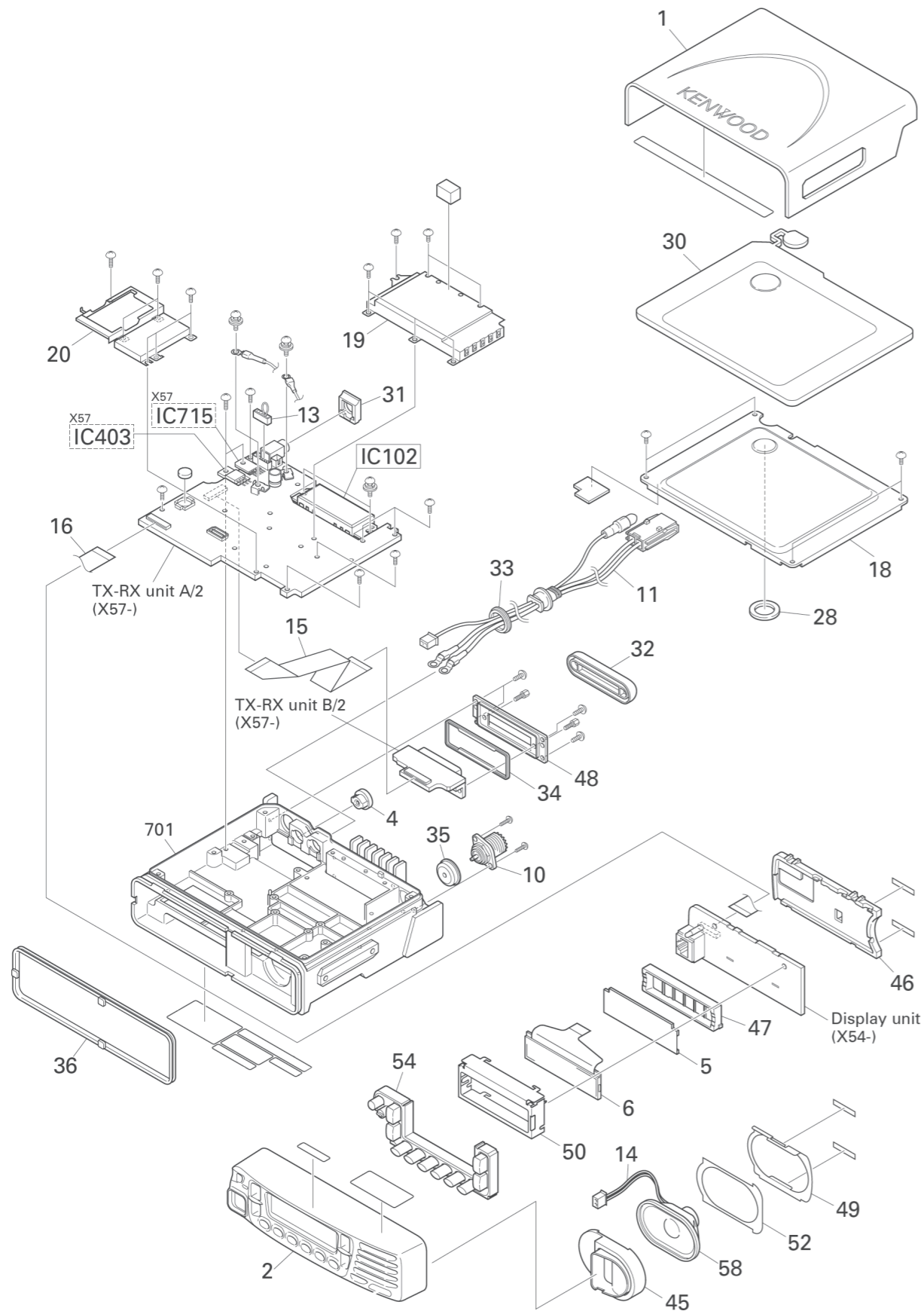
KENWOOD



No.	Part No.	Description
1	A02-4073-21	PLASTIC CABINET
2	A10-4161-01	CHASSIS
3	A62-1200-03	PANEL ASSY
5	B09-0732-03	CAP (D-SUB)
7	B43-1675-04	BADGE
10	E04-0167-15	RF COAXIAL RECEPTACLE (M)
11	E04-0492-05	RF COAXIAL RECEPTACLE (SMA)
12	E30-7523-55	DC CORD ASSY
13	E30-7684-15	DC CORD
14	E37-1461-05	FLAT CABLE (30P)
16	F10-3184-03	SHIELDING COVER (TOP)
17	F10-3203-02	SHIELDING COVER (LPF)
18	F52-0024-05	FUSE (15A/BLADE)
19	G11-4353-04	SHEET (SHIELDING/BOTTOM)
20	G11-4578-04	SHEET (FORW/O SMA)
21	G11-4611-04	SHEET (D-SUB)
24	G13-2389-04	CUSHION (SHIELDING/TOP)
26	G53-1643-04	PACKING (DC CORD)
28	G53-1768-04	PACKING (SMA)
31	G53-1819-21	PACKING (CHASSIS)
32	G53-1820-03	PACKING (PANEL)
33	G53-1858-03	PACKING (SP)
43	J19-1584-15	HOLDER (MIC)
46	J19-5542-02	HOLDER (PANEL)
47	J29-0726-03	BRACKET
48	K29-9479-01	KEY TOP
A	N30-2605-48	PAN HEAD MACHINE SCREW (SMA)
B	N67-3008-48	PAN HEAD SEMS SCREW
C	N87-2608-48	BRAZIER HEAD TAPTITE SCREW
50	N99-2039-05	SCREW SET
51	T07-0785-15	SPEAKER
52	T91-0639-55	MICROPHONE (KMC-35)
101	B11-1885-03	B11-1885-03
102	B38-0936-05	B38-0936-05
D22	B30-2321-05	B30-2321-05
D23	B30-2151-05	B30-2151-05
103	E29-1231-15	E29-1231-15
J1	E58-0535-05	E58-0535-05
104	J21-8629-03	J21-8629-03
J501	E58-0535-05	D-SUB SOCKET (15P)
J701	E11-0425-05	3.5D PHONE JACK (EXT-SP)

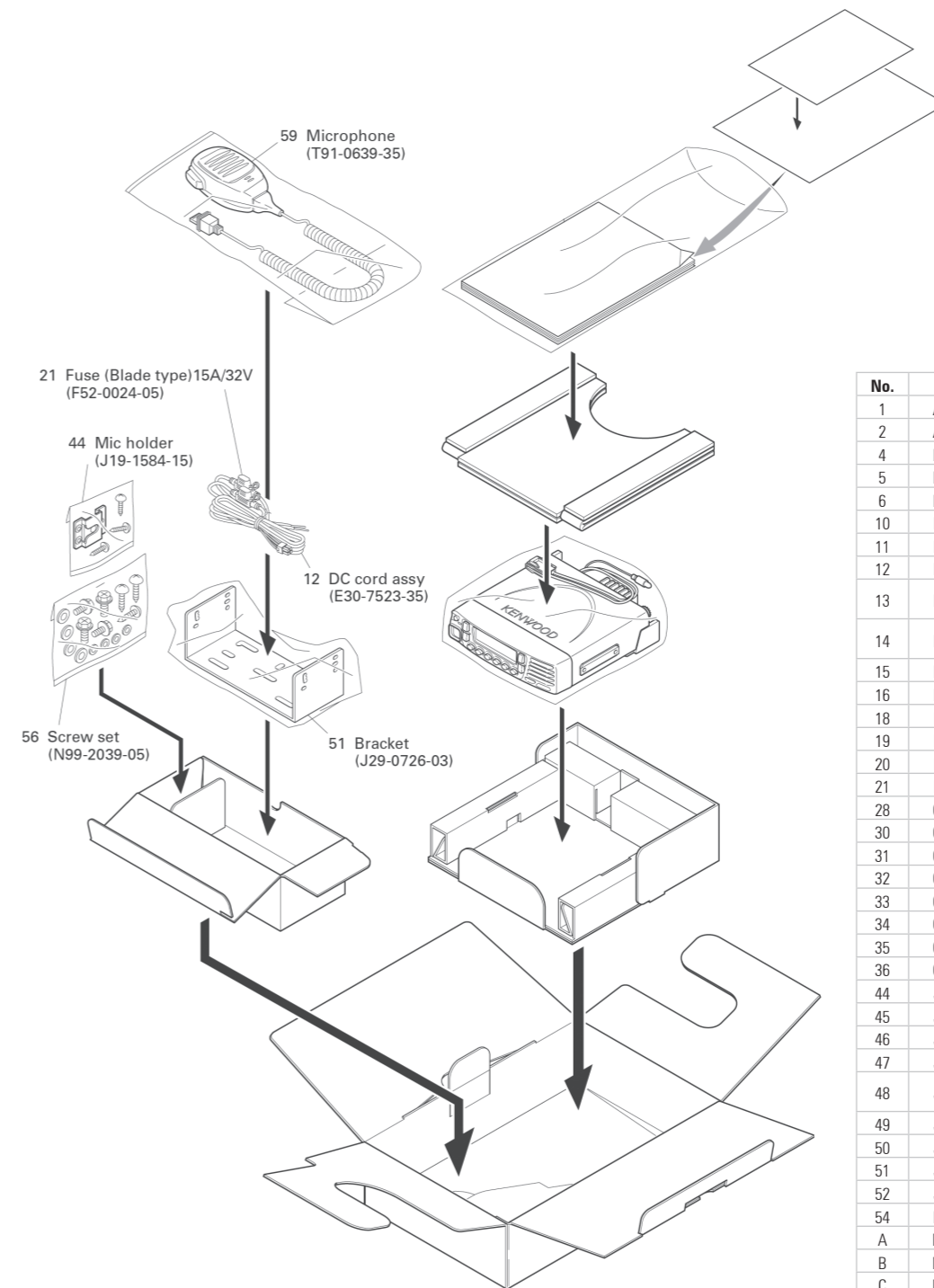
EXPLODED VIEW
NX-700 / 800

KENWOOD



PACKING
NX-700 / 800

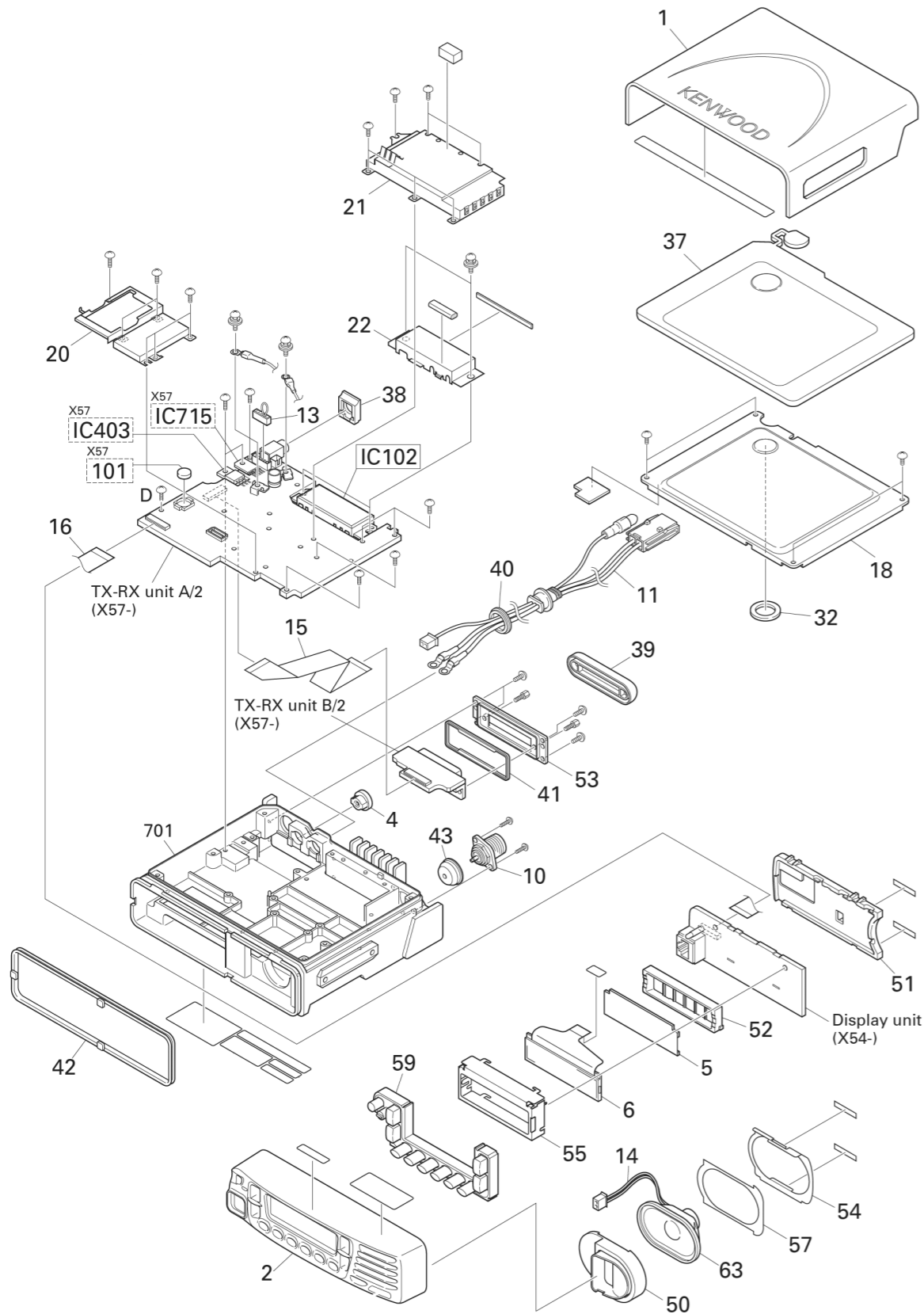
KENWOOD



No.	Part No.	Description
1	A01-2194-11	COVER
2	A62-1162-03	PANEL ASSY
4	B09-0681-03	CAP (KAP-2)
5	B11-1850-04	FILTER (LCD)
6	B38-0922-05	LCD ASSY
10	E04-0167-15	RF COAXIAL RECEPTACLE (M)
11	E30-7520-15	DC CORD (PIG TAIL)
12	E30-7523-35	DC CORD ASSY
13	E37-1118-05	LEAD WIRE WITH CONNECTOR (SHORT CABLE)
14	E37-1124-05	LEAD WIRE WITH CONNECTOR (2/SP)
15	E37-1378-05	FLAT CABLE (30P/D-SUB)
16	E37-1379-05	FLAT CABLE (30P/D-PANEL)
18	F10-2488-12	SHIELDING PLATE (CHASSIS)
19	F10-2489-13	SHIELDING CASE (FINAL)
20	F10-2490-13	SHIELDING CASE (VCO)
21	F52-0024-05	FUSE (BLADE TYPE) 15A/32V
28	G13-2047-04	CUSHION (DC SCREW)
30	G53-1613-11	PACKING (SHIELD PLATE)
31	G53-1616-03	PACKING (PHONE JACK)
32	G53-1626-03	PACKING (D-SUB OUTER)
33	G53-1643-04	PACKING (DC CORD)
34	G53-1645-03	PACKING (D-SUB INNER)
35	G53-1662-04	PACKING (ANT)
36	G53-1676-03	PACKING (CHASSIS)
44	J19-1584-15	MIC HOLDER
45	J19-5464-13	HOLDER (SP)
46	J19-5485-13	HOLDER (PANEL)
47	J19-5502-03	HOLDER (LCD)
48	J21-8479-02	MOUNTING HARDWARE (D-SUB)
49	J21-8481-03	MOUNTING HARDWARE (SP)
50	J21-8569-03	MOUNTING HARDWARE (LCD)
51	J29-0726-03	BRACKET
52	J30-1289-04	SPACER (SP SHEET)
54	K29-9401-03	KEY TOP
A	N09-2292-05	HEXAGON HEAD SCREW
B	N67-3008-48	PAN HEAD SEMS SCREW
C	N87-2606-43	BRAZIER HEAD TAPTITE SCREW
D	N87-2608-48	BRAZIER HEAD TAPTITE SCREW
56	N99-2203905	SCREW SET
58	T07-0757-15	SPEAKER
59	T91-0639-35	MICROPHONE
IC102	RA30H1317M123	MOS-IC
IC102	RA60H13171123	MOS-IC
IC403	NJM78M08FA-ZB	ANALOGUE IC
IC715	LA4425A	MOS-IC

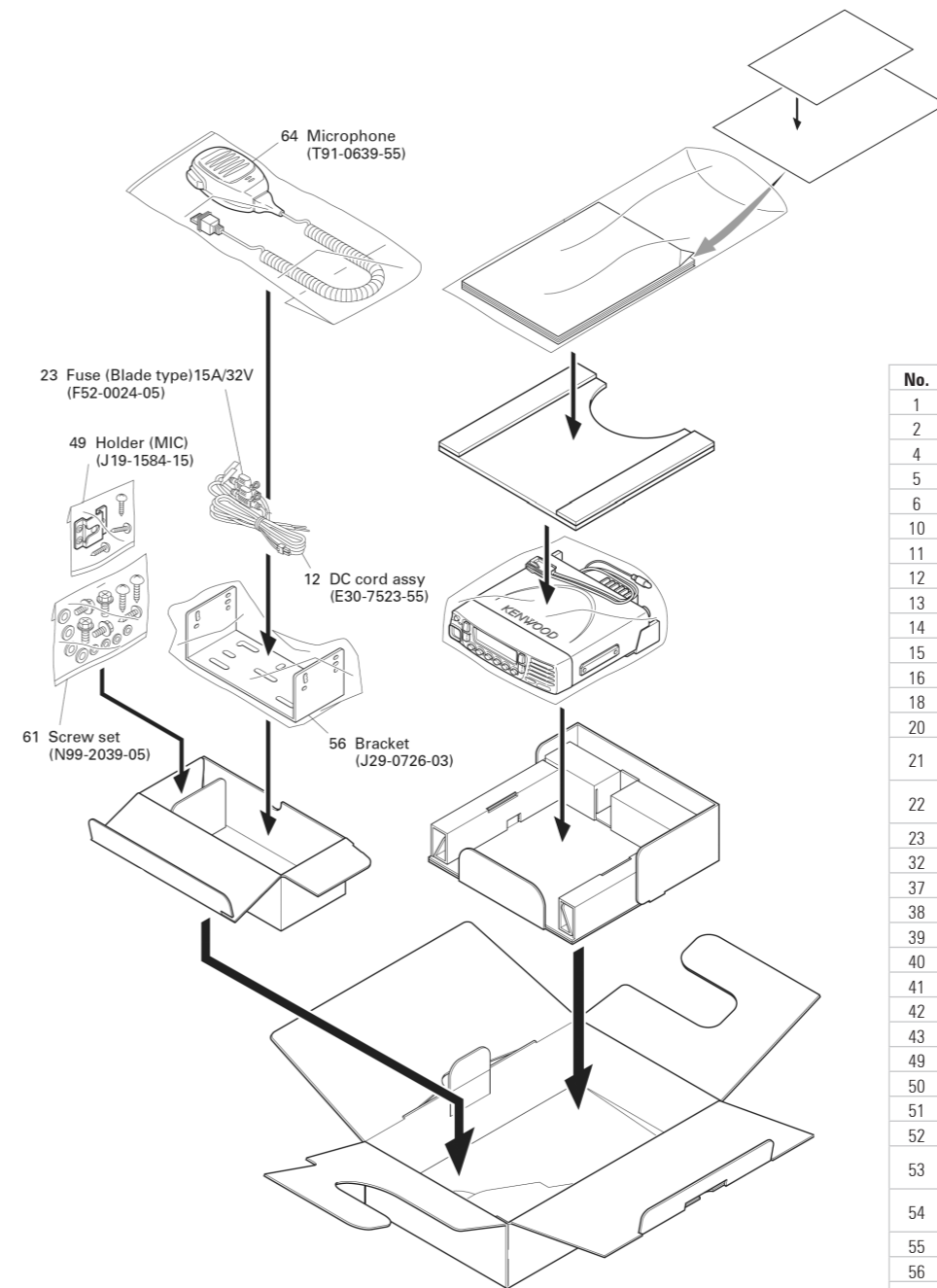
EXPLODED VIEW
NX-900

KENWOOD

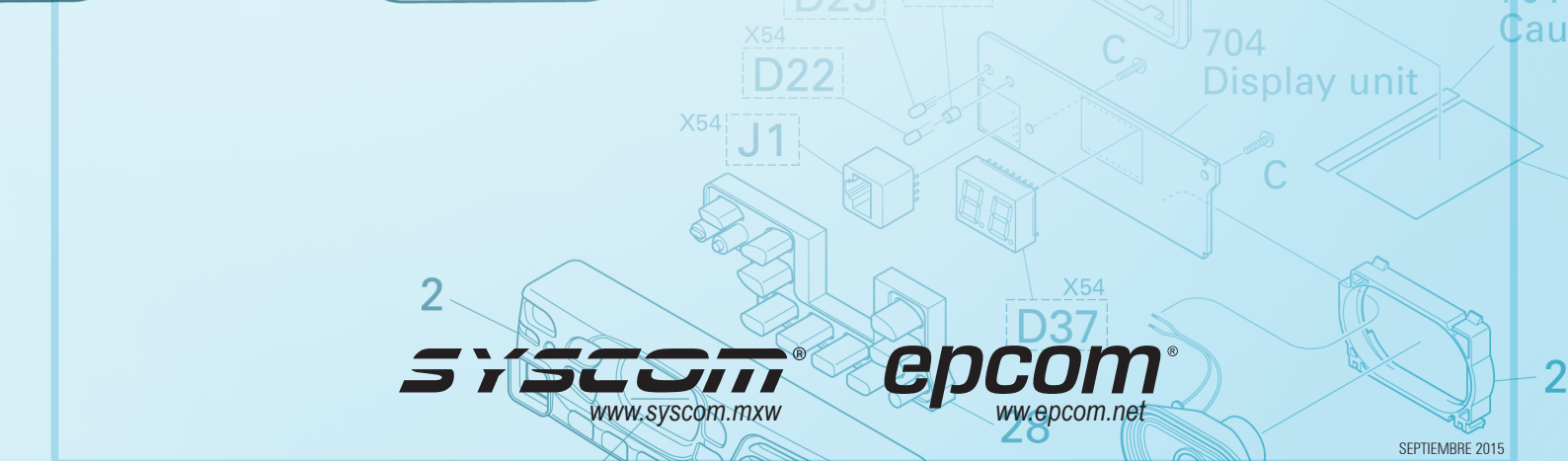
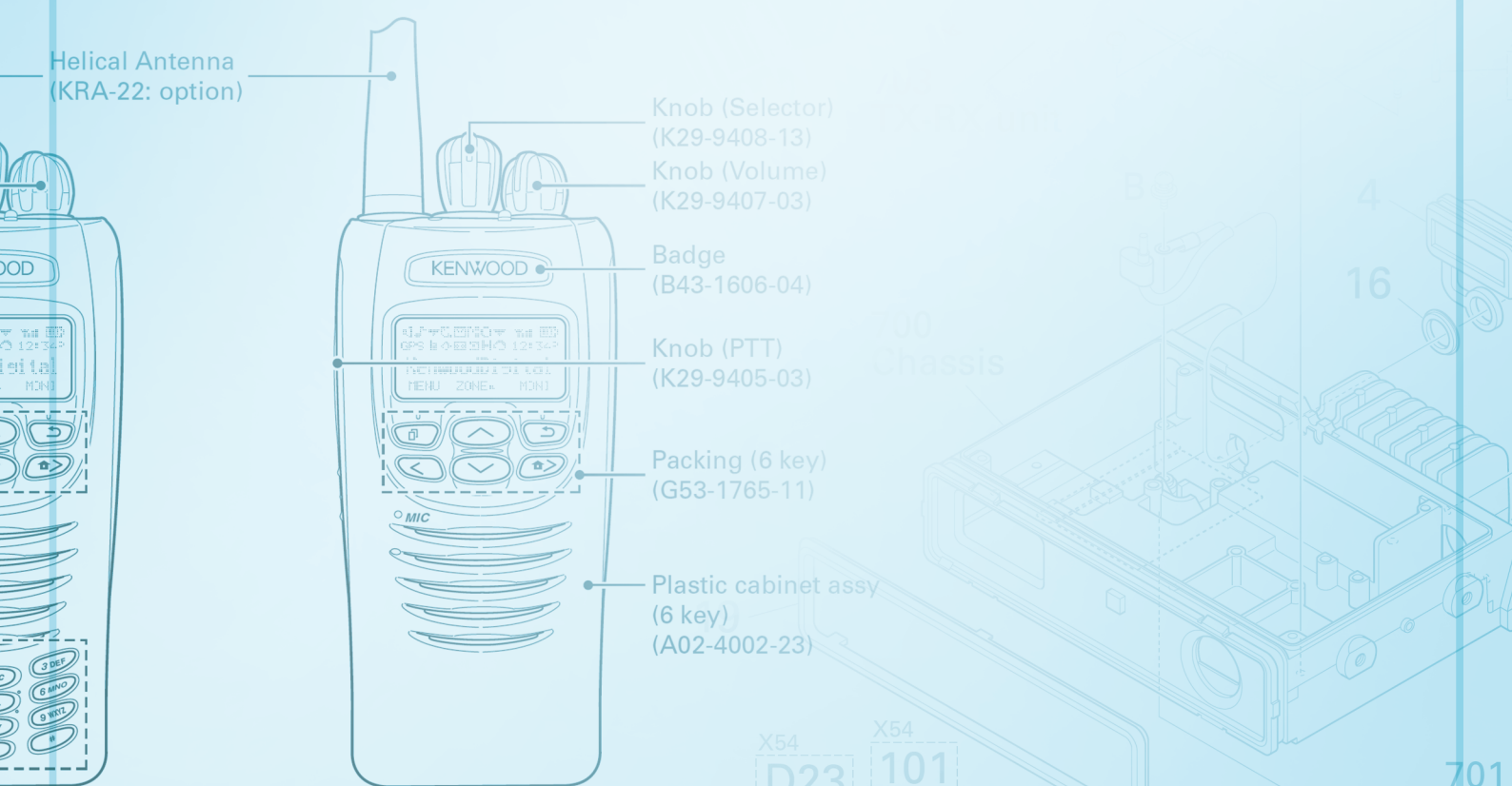
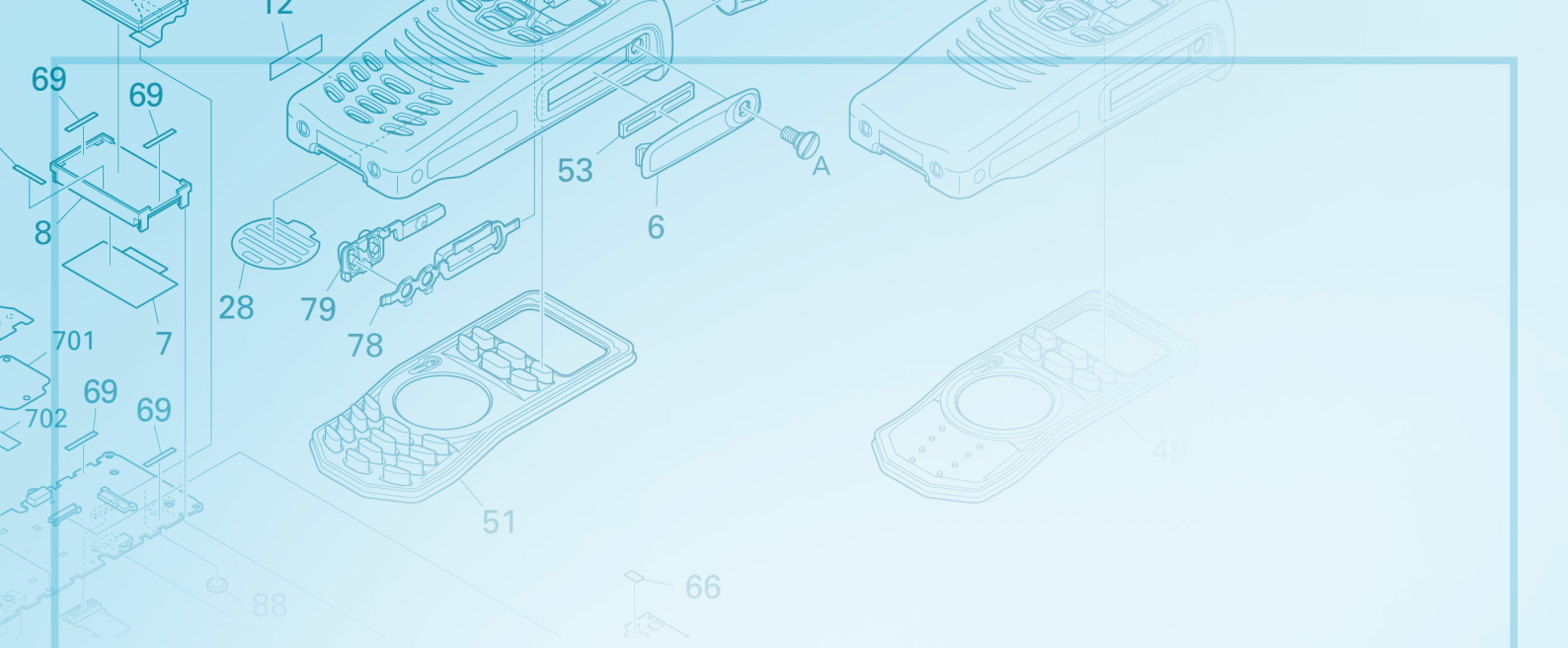


PACKING
NX-900

KENWOOD



No.	Part No.	Description
1	A01-2194-11	METALLIC CABINET
2	A62-1162-12	PANEL ASSY
4	B09-0681-03	CAP (KAP-2)
5	B11-1871-04	FILTER (LCD)
6	B38-0922-15	LCD ASSY
10	E04-0170-15	RF COAXIAL RECEPTACLE (N)
11	E30-7520-25	DC CORD (PIG TAIL)
12	E30-7523-55	DC CORD ASSY
13	E37-1118-05	SHORT PLUG
14	E37-1124-05	LEAD WIRE WITH CONNECTOR
15	E37-1448-05	FLAT CABLE (30P/D-SUB)
16	E37-1449-05	FLAT CABLE (30P/PANEL)
18	F10-2488-12	SHIELDING PLATE (CHASSIS)
20	F10-2490-13	SHIELDING CASE (VCO)
21	F10-3032-14	SHIELDING CASE ASSY (FINAL)
22	F10-3112-03	SHIELDING CASE (POWER MODULE)
23	F52-0024-05	FUSE (BLADE TYPE) 15A 32V
32	G13-2047-04	CUSHION (FINAL)
37	G53-1613-11	PACKING (SHIELD PLATE)
38	G53-1616-03	PACKING (PHONE JACK)
39	G53-1626-03	PACKING (D-SUB OUTER)
40	G53-1643-04	PACKING (DC CORD)
41	G53-1645-03	PACKING (D-SUB INNER)
42	G53-1676-03	PACKING (CHASSIS)
43	G53-1789-04	PACKING (ANT)
49	J19-1584-15	HOLDER (MIC)
50	J19-5464-13	HOLDER (SPEAKER)
51	J19-5485-12	HOLDER (PANEL)
52	J19-5502-13	HOLDER (LCD)
53	J21-8479-02	MOUNTING HARDWARE (D-SUB)
54	J21-8481-03	MOUNTING HARDWARE (SPEAKER)
55	J21-8569-03	MOUNTING HARDWARE (LCD)
56	J29-0726-03	BRACKET
57	J30-1289-04	SPACER (SP-SHEET)
59	K29-9401-03	KEY TOP
A	N09-2292-05	HEXAGON HEAD SCREW
B	N67-3008-48	PAN HEAD SEMS SCREW
C	N87-2606-43	BRAZIER HEAD TAPTITE SCREW
D	N87-2608-48	BRAZIER HEAD TAPTITE SCREW
61	N99-2039-05	SCREW SET
63	T07-0757-25	SPEAKER
64	T91-0639-55	MICROPHONE
IC102	RA45H76871101	MOS-IC (POWER MODULE)
IC403	NJM78M08FA-ZB	ANALOGUE IC
IC715	LA4425A	MOS-IC



SYSCOM
www.syscom.mxw

epcom
www.epcom.net