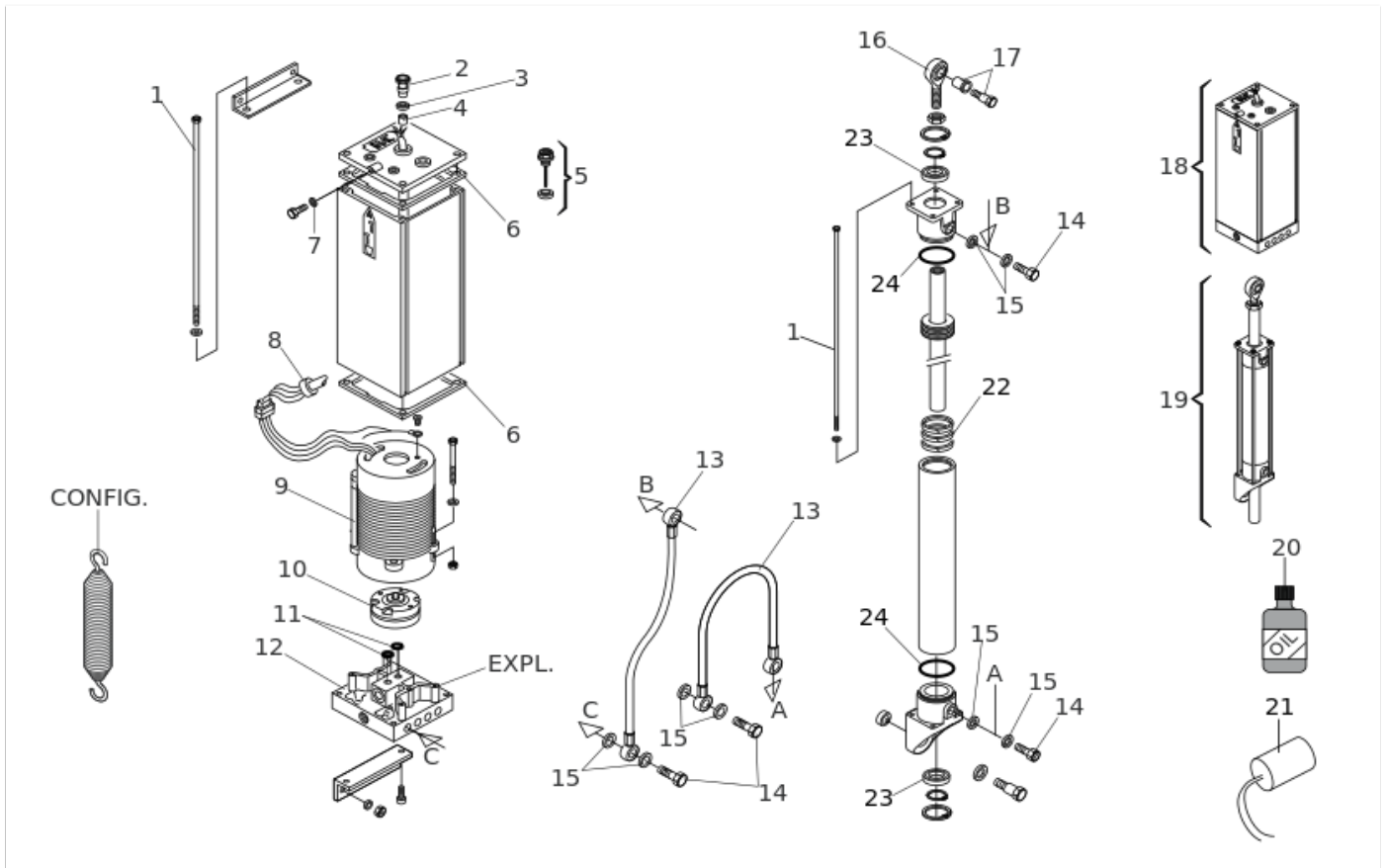


615 BPR 2



Pos.	Code	EAN	Quantity	Replacement code	Description	Salable
1	7019145	8055195021967	8		SW.G.P.U. PISTON SCREW	yes
2	7109095	8055195022957	1		CABLE GLAND	yes
3	7043355	8055195022131	1		CABLE GLAND RING	yes
4	7099245	8055195022841	1		STRAIN RELIEF GASKET	yes
5	7112055	8055195023077	1		OIL CAP 615/750/820/860	yes
6	7099315	8055195022858	2		G.D.O. 590 FLAT GASKET	yes
7	7094065	8055195022667	1		COPPER WASHER 7X4X1	yes
8	7514225	8055195025767	1		1,2 m CABLE W/O MOTOR PROTECTION	yes
9	7700055	8055195025972	1		MOTOR 220V 4P. SINGLE PHASE WITH THERMAL	yes

Pos.	Code	EAN	Quantity	Replacement code	Description	Salable
10	3204445	8055195015034	1		PUMP LT. 1,5 WITH INTEGRATED DISTAN.	yes
11	7090010015	8055195040074	2		SEAL OR 4,48X1,78 (2018)	yes
12	4997645	8055195015966	1		C.T.B.DISTRIBUTION FLANGE UNIT	yes
13	63000112	8055195028966	2		FLEXIBLE PIPE GROUP OCC/OCC	yes
14	7110115	8055195023022	4		"SW.G.RAM 750 CAP 1/8"" KEY 13 H29,5"	yes
15	63003231	8055195043648	8		BONDED SEAL 1/8 GAS CENT. 89096 DICKTOMA	yes
16	7073025	8055195022308	1		M12 JOINT MALE	yes
17	7080435	8055195022353	1		610/615 CYLINDER JOINT	yes
18	2077445	8055195014914	1		610 - 615 CENTRAL CBAC 1.5L	yes
19	7251215	8055195024500	1		C.T.B.615 CYLINDER	yes
20	714017	8055195010923	2		HYDRAULIC OIL FAAC HP OIL LT. 1	yes
21	7601351	8055195025941	1		CAPACITOR PP 8MF-400V WIRES UNIP.250MM	yes
22	7095065	8055195022766	1		EUD 4032/1K Z20 GASKET	yes
23	63000574	8055195031201	2		GASKET SNI39 16X24X6,3X5,8 125064 SPAR/P	yes
24	7090450015	8055195051056	2		O-RING 1,78X34,65 NB70	yes