

EPCOM

1630 Paisano Dr.

El Paso, Tx 79901.

Ph (915)533-5119

www.epcom.net

J82012105 Flexible Flat Cable Replacement for TK-2302

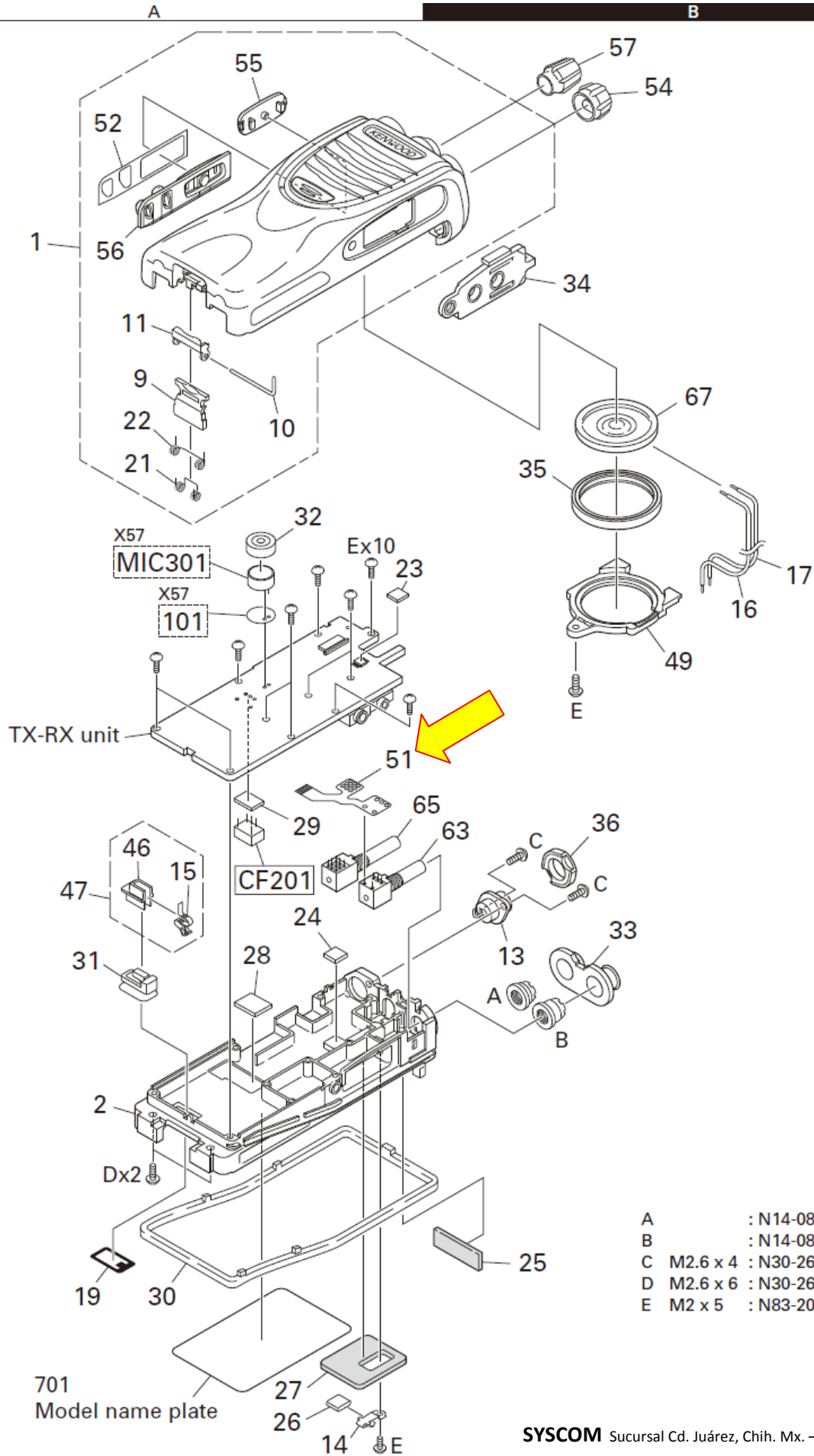
Ref. No.	Address	New parts	Parts No.	Description	Desti-nation
TK-2302/2302(V)/2306					
1	1A	*	A02-4040-03	PLASTIC CABINET ASSY	
2	3A	*	A10-4124-01	CHASSIS	
4	2C,2E	*	B09-0725-03	CAP ACCESSORY	
7	1C	*	B62-2109-00	INSTRUCTION MANUAL	AK,AM
7	1C	*	B62-2111-00	INSTRUCTION MANUAL	BM
7	1C,1E	*	B62-2139-00	INSTRUCTION MANUAL	AP,VK
9	1A		D10-0649-03	LEVER	
10	1A		D21-0863-04	SHAFT	
11	1A		D32-0441-13	STOPPER	
13	2B		E04-0477-05	ANTENNA CONNECTOR (SMA)	
14	3A		E23-1253-04	TERMINAL (BATT-)	
15	2A		E23-1254-04	TERMINAL (BATT+)	
16	2B	*	E37-1175-15	SP WIRE LEAD (BROWN)	
17	2B	*	E37-1176-15	SP WIRE LEAD (GREEN)	
19	3A		F20-3353-14	INSULATING SHEET (CHASSIS BATT+)	
21	1A		G01-4542-04	COIL SPRING (LEVER)	
22	1A		G01-4543-14	COIL SPRING (STOPPER)	
23	2A		G10-1330-04	FIBROUS SHEET (AUDIO IC)	
24	2A	*	G11-4465-04	RUBBER SHEET (FINAL FET)	
25	3B		G13-2009-04	CUSHION (CHASSIS)	
26	3A		G13-2033-04	CUSHION (BATT-)	
27	3A		G13-2034-14	CUSHION (CHASSIS-)	
28	3A		G13-2038-24	CUSHION (CHASSIS-CERAMIC FILTER)	
29	2A		G13-2039-14	CUSHION (PCB-CERAMIC FILTER)	
30	3A		G53-1604-03	PACKING (CHASSIS)	
31	2A		G53-1605-03	PACKING (BATT+)	
32	2A		G53-1609-14	PACKING (ECM)	
33	2B	*	G53-1799-03	PACKING (VOLUME/SELECTOR)	
34	1B	*	G53-1800-03	PACKING (SP/MIC)	
35	1B	*	G53-1801-03	PACKING (SPEAKER)	
36	2B	*	G53-1802-04	PACKING (SMA)	
38	2E	*	H12-4250-05	PACKING FIXTURE	AP
39	2D	*	H12-4251-05	PACKING FIXTURE	AK,VK,AM
39	2D	*	H12-4251-05	PACKING FIXTURE	AM
40	1F		H13-2109-03	CARTON BOARD	AP
42	3D	*	H52-2300-03	ITEM CARTON CASE	AK,VK,AM
42	3D	*	H52-2300-03	ITEM CARTON CASE	AM
43	3F	*	H52-2301-13	ITEM CARTON CASE	AP
46	2A		J19-5463-03	HOLDER (BATT+)	
47	2A		J19-5473-03	HOLDER ASSY (BATT+)	
48	2C,2E	*	J19-5521-03	HOLDER (SP/MIC) ACCESSORY	
49	2B	*	J19-5522-03	SPEAKER CLASP	
50	2C,1E		J29-0734-05	BELT HOOK ACCESSORY	
51	2A	*	J82-0121-05	FPC	
52	1A	*	J99-0737-04	ADHESIVE SHEET (PTT)	
54	1B	*	K29-9309-13	KNOB (VOLUME)	
55	1A	*	K29-9425-03	BUTTON KNOB (PTT)	
56	1A	*	K29-9426-03	BUTTON KNOB (MON/PF)	
57	1B	*	K29-9427-03	KNOB (SELECTOR)	
A	3B	*	N14-0849-05	CIRCULAR NUT (SELECTOR)	
TX-RX UNIT (X57-7570-20)					
B	3B	*	N14-0849-05	CIRCULAR NUT (VOLUME)	
C	2B		N30-2604-48	PAN HEAD MACHINE SCREW (SMA)	
D	3A		N30-2606-48	PAN HEAD MACHINE SCREW	
E	2A,3A,2B		N83-2005-48	PAN HEAD TAPTITE SCREW	
61	2C,2E		N99-2046-05	SCREW SET ACCESSORY	
63	2A	*	R31-0670-15	VARIABLE RESISTOR	
65	2A	*	S60-0440-05	ROTARY SWITCH	
67	1B		T07-0369-15	SPEAKER	
68	2D,2E		T90-1036-15	HELICAL ANTENNA	
70	1F		W08-0970-35	AC ADAPTER (TRANSFORMER)	AP
71	1C		W08-0988-05	CHARGER (KSC-35)	AK,VK,AM
72	1D		W08-0989-15	AC ADAPTER (SWITCHING)	AK,VK
73	1D		W08-0992-05	AC ADAPTER (SWITCHING)	AM
74	1C,2F	*	W08-1067-05	CHARGER (KCS-31)	AP,AM
75	1D	*	W08-1075-05	AC ADAPTER (SWITCHING)	BM
D303		*	B30-2315-05	LED (RED)	
D304		*	B30-2314-05	LED (GREEN)	
C1			CK73HB1H332K	CHIP C 3300PF	K
C2			CK73HB1C682K	CHIP C 6800PF	K
C3			CK73GB1A105K	CHIP C 1.0UF	K
C4			CK73HB1A104K	CHIP C 0.10UF	K
C5			CK73HB1H102K	CHIP C 1000PF	K
C6			CK73HB1E103K	CHIP C 0.010UF	K
C7			CC73HCH1H100D	CHIP C 10PF	D
C8-10			CC73HCH1H101J	CHIP C 100PF	J
C11			CK73FB0J106K	CHIP C 10UF	K
C12			CK73HB1H102K	CHIP C 1000PF	K
C13			CC73HCH1H100D	CHIP C 10PF	D
C14,15			CK73HB1E103K	CHIP C 0.010UF	K
C16			CC73HCH1H470J	CHIP C 47PF	J
C17			CK73HB1E103K	CHIP C 0.010UF	K
C18			CC73HCH1H180J	CHIP C 18PF	J
C23			CK73HB1E103K	CHIP C 0.010UF	K
C25			CC73HCH1H300J	CHIP C 30PF	J
C26			CC73HCH1H020B	CHIP C 2.0PF	B
C27			CS77AA1VR33M	CHIP TNL 0.33UF	35WV
C29			CC73HCH1H270J	CHIP C 27PF	J
C30			CK73HB1H102K	CHIP C 1000PF	K
C31			CK73HB1E103K	CHIP C 0.010UF	K
C32			CS77CA1C3R3M	CHIP TNL 3.3UF	16WV
C33			CK73HB1H471K	CHIP C 470PF	K
C35			CS77CA1V0R1M	CHIP TNL 0.1UF	35WV
C36			CK73HB1H332K	CHIP C 3300PF	K
C39			CK73HB1C682K	CHIP C 6800PF	K
C40			CC73HCH1H060B	CHIP C 6.0PF	B
C41			CC73HCH1H040B	CHIP C 4.0PF	B
C42			CC73HCH1H060B	CHIP C 6.0PF	B



1

2

3



- A : N14-0848-05
- B : N14-0849-05
- C M2.6 x 4 : N30-2604-48
- D M2.6 x 6 : N30-2606-48
- E M2 x 5 : N83-2005-48