

EPCOM

1630 Paisano Dr.
El Paso, Tx 79901.

Ph (915)533-5119

www.epcom.net

SYSCOM

Ave 20 de Noviembre No. 805 Col. Centro
Chihuahua, Chih. 31000 Tel 052 (614) 415 – 2525

www.syscom.mx

J19157204 Battery Metal Latch, Most KENWOOD Portable Radios

Pestillo de la Bateria para TK-360N, 272G, 272N, 2102 y 480

TK-2102G

PARTS LIST

* New Parts. Δ indicates safety critical components.

Parts without **Parts No.** are not supplied.

Les articles non mentionnés dans le **Parts No.** ne sont pas fournis.

Teile ohne **Parts No.** werden nicht geliefert.

L : Scandinavia

Y : PX (Far East, Hawaii)

Y : AAFES (Europe)

K : USA

T : England

X : Australia

P : Canada

E : Europe

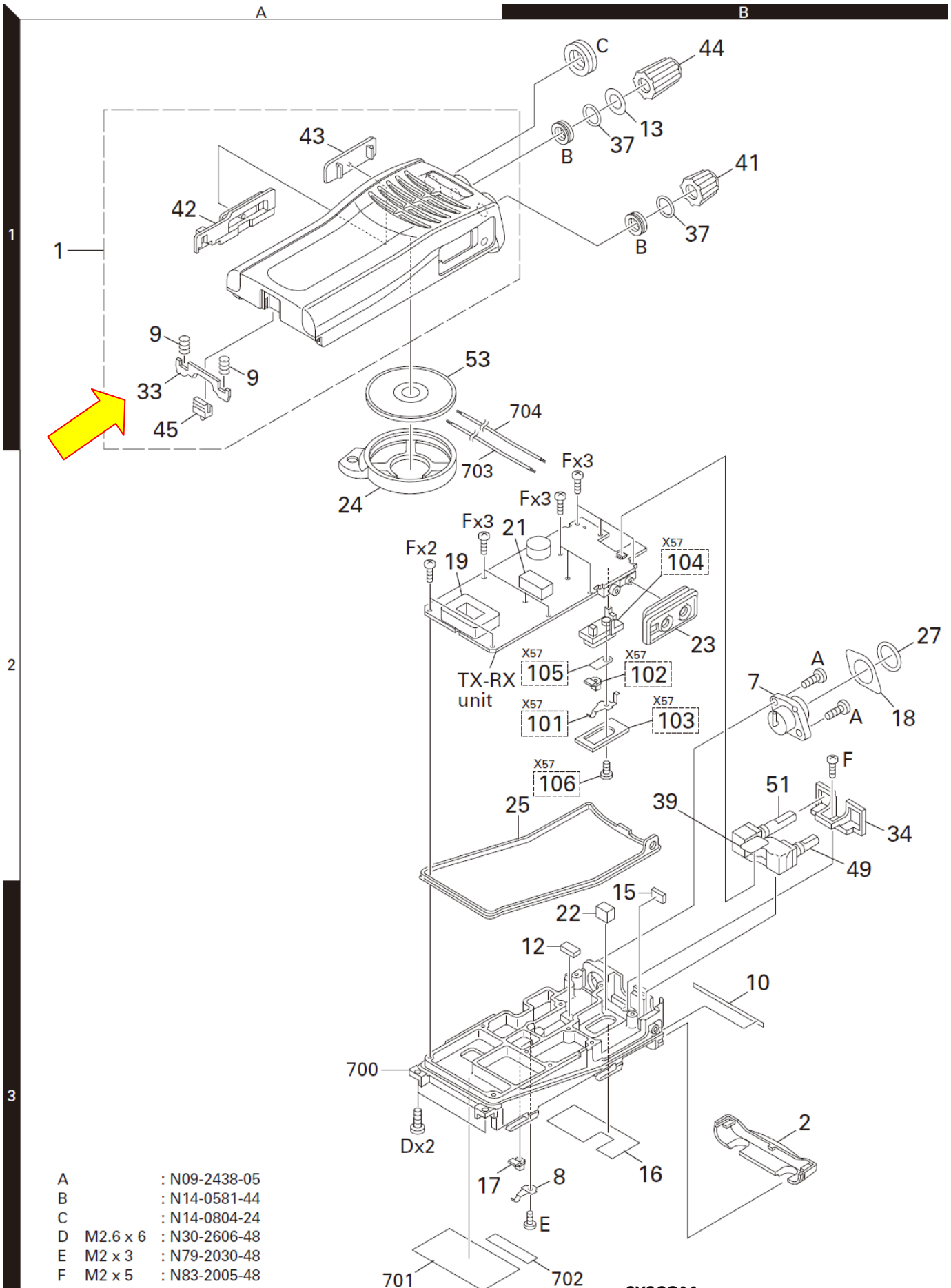
M : Other Areas

TK-2102G (Y50-6410-XX)

TX-RX UNIT (X57-6020-10)

Ref. No.	Address	New parts	Parts No.	Description	Destination
TK-2102G					
1	1A	*	A02-4049-03	PLASTIC CABINET ASSY	
2	3B		A82-0034-03	REAR PANEL	
4	2D		B09-0351-03	CAP (SP/MIC) ACCESSORY	
5	1D	*	B62-2103-00	INSTRUCTION MANUAL	
7	2B		E04-0449-05	RF COAXIAL RECEPTACLE(SMA)	
8	3B		E23-1183-04	RELAY TERMINAL (BATT-)	
9	1A		G01-0881-04	COIL SPRING (BATT RELEASE)	
10	3B		G10-1288-04	FIBROUS SHEET (CHASSIS)	
11	-		G11-2583-04	SHEET (HOLDER)	
12	3B	*	G11-2588-14	RUBBER SHEET (CHASSIS)	
13	1B	*	G11-4478-04	SHEET (CH)	
15	3B		G13-1709-04	CUSHION(VOL)	
16	3B		G13-1763-04	CUSHION (TERMINAL BATT+)	
17	3B		G13-1867-14	CUSHION (TERMINAL BATT-)	
18	2B		G13-1959-04	CUSHION (RECEPTACLE)	
19	2A		G13-1985-04	CUSHION (X400)	
21	2B		G13-1986-04	CUSHION (VR501)	
22	3B		G13-2069-24	CUSHION (HOLDER)	
23	2B		G53-0791-03	PACKING (SP/MIC)	
24	2A		G53-0842-13	PACKING (SP)	
25	2B		G53-0860-04	PACKING (CHASSIS)	
27	2B		G53-1528-04	PACKING (SMA)	
30	1D		H25-0085-04	PROTECTION BAG (100/200/0.07)	
31	2D		H25-2012-04	PROTECTION BAG (75/100/0.08)	
33	1A		J19-1572-04	HOLDER (BATT RELEASE)	
34	2B		J19-5344-13	HOLDER (VOL/CH)	
35	2D		J21-4493-04	SP/MIC HOLDER ACCESSORY	
36	2D		J29-0734-05	BELT CLIP ACCESSORY	
37	1B		J69-0345-04	RING (VOL,CH)	
TX-RX UNIT (X57-6020-10)					
59	1C		W08-0598-15	CHARGER ACCESSORY	
60	2C	*	W09-0940-25	BATTERY ASSY ACCESSORY	
D400			B30-2156-05	LED (RED)	
D401			B30-2157-05	LED (YELLOW)	
C1			CK73GB1C104K	CHIP C 0.10UF K	
C2,3			CC73GCH1H101J	CHIP C 100PF J	
C4			CK73GB1C104K	CHIP C 0.10UF K	
C5			CS77AA0J4R7M	CHIP TNTL 4.7UF 6.3WV	
C6			CC73GCH1H101J	CHIP C 100PF J	
C7			CK73GB1H102K	CHIP C 1000PF K	
C8			CK73FB1C224K	CHIP C 0.22UF K	
C9			CC73GCH1H130J	CHIP C 13PF J	
C10			CC73GCH1H470J	CHIP C 47PF J	
C12			CK73FB1C224K	CHIP C 0.22UF K	
C14			CC73GCH1H130J	CHIP C 13PF J	
C15			CS77AA1A6R8M	CHIP TNTL 6.8UF 10WV	
C16			CC73GCH1H680J	CHIP C 68PF J	
C17			CK73GB1H331K	CHIP C 330PF K	
C18			CS77AA1DR68M	CHIP TNTL 0.68UF 20WV	
C19,20			CK73GB1H103K	CHIP C 0.010UF K	
C23			CS77AA0J100M	CHIP TNTL 10UF 6.3WV	
C24			CK73GB1H681K	CHIP C 680PF K	
C25			CK73GB1H471K	CHIP C 470PF K	
C26			CC73GCH1H121J	CHIP C 120PF J	
C27			CK73GB1H102K	CHIP C 1000PF K	
C28			CC73GCH1H330J	CHIP C 33PF J	
C29-31			CK73GB1H102K	CHIP C 1000PF K	
C32			CC73GCH1H101J	CHIP C 100PF J	
C33			CC73GCH1H390J	CHIP C 39PF J	





- A : N09-2438-05
- B : N14-0581-44
- C : N14-0804-24
- D M2.6 x 6 : N30-2606-48
- E M2 x 3 : N79-2030-48
- F M2 x 5 : N83-2005-48