

**EPCOM syscom** 1630 Paisano Dr. El Paso. Tx 79901.

Ph (915)533-5119

[www.epcom.net](http://www.epcom.net)

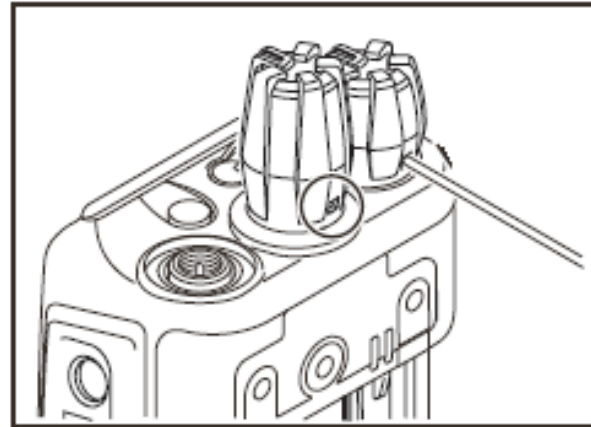
**SYSCOM** Ave 20 de Noviembre No. 805 - Col. Centro

Chihuahua, Chih. 31000

Tel 052 (614) 415 – 2525

[www.syscom.mx](http://www.syscom.mx)

## ***K2K001200 Channel Selector Knob for Radios Series NX-5000***



Main Parts		Assembled Sheet/ Cushion		
Part Name	Part Number	Part Name	Part Number	Remark
Plastic Cabinet (F3,F6,K3,K6) Plastic Cabinet (F2,F5,K2,K5)	A0C-0001-00 A0C-0002-00	Badge	B4D-0002-00	"KENWOOD" is printed.
		Fibrous Sheet (SP)	G1A-0001-00	
		Sheet (LCD)	G1B-0074-00	
		Spacer (2CH)	J3K-0003-00	
		Knob (2CH)	K2K-0013-00	= K2K-0012-00
Rear Panel	A8A-0005-00	Sheet (Air)	G11-4440-04	
Terminal (ANT)	E2D-0003-00	Cushion (ANT)	G1D-0041-00	
Terminal Block	E7C-0001-00	Terminal Sticker	B4C-0105-00	
Cover (OP board)	F0G-0005-00	Cushion (Cover)	G1D-0062-00	
Shielding Cover (MPU)	F1B-0005-00	Sheet (Insulating)	G1B-0031-00	
Shielding Cover (LCD)	F1B-0006-00	Cushion (LCD/Front)	G1D-0009-00	
Holder (F3,K3)	J1K-0004-00	Cushion (20-pin Connector)	G1D-0021-00	
FPC (UNIV)	J87-0056-05	R.Receptacle	E58-0532-05	
FPC (PTT)	J87-0057-05	Sheet (PTT)	G1B-0016-00	
FPC (VOL, SEL, ECM)	J87-0058-05	Sheet (Conducting)	G11-4459-04	
		Cushion	G1D-0025-00	
Speaker	T0H-0002-00	Rubber Cushion (SP)	G1B-0045-10	