

## DS-D5024FN-B 23.8 inch Monitor



- LED backlit technology with full HD 1920×1080
- Wide view angle: 178°(H)/178°(V)
- User-friendly operation menu
- 1 channel HDMI 1.3 input interface
- Three image modes to adapt different environment
- Support software spread-spectrum technology to reduce EMI radiation
- VESA stand bracket



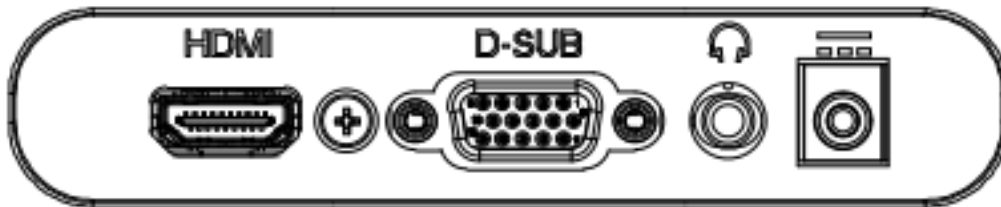
## ▪ Specification

Model		DS-D5024FN-B
Display	Screen Size	23.8 inch
	Active Display Area	527.04 mm (H) × 296.46 mm (V)
	Resolution	1920 × 1080 @60hz
	Backlight	E-LED
	Pixel Pitch	0.2745 mm (H) x 0.2745 mm (V)
	Brightness	250 cd/m <sup>2</sup>
	Viewing Angle	178° (H) / 178°(V)
	Color Depth	8 bit
	Contrast Ratio	3000 : 1
	Response Time	16 ms
	Refresh Rate	60 Hz
	Haze	25 %
	Reliability	7 × 24 H
	Color Gamut	72 %
Interface	Video & Audio Input	HDMI × 1, VGA × 1
	Video & Audio Output	Audio Out × 1
	Data Transmission Interface	NA
	Control Interface	NA
Power	Power Supply	19 VDC 1.31 A
	Power Consumption	≤ 23 W
	Standby Consumption	≤ 0.3 W
Working Environment	Working Temperature	0 °C to 40 °C
	Working Humidity	20 % to 80 % RH (Non-Condensing)
	Storage Temperature	-20 °C to 60 °C
	Storage Humidity	20 % to 80 % RH (Non-Condensing)
General	Casing Material	Plastic
	VESA	100 mm × 100 mm, 4-M4 × 10 screw holes
	Bezel Width	2.5mm (top), 2mm (left/right), 17.3mm (bottom)
	Product Dimensions (W × H × D)	Without stand: 539.5 mm × 320.9 mm × 37.6 mm (21.24'' × 12.63'' × 1.48'') With stand: 539.5 mm × 425.6 mm × 174.6 mm (21.24'' × 16.76'' × 6.87'')
	Package Dimensions (W × H × D)	602 mm × 490 mm × 116 mm (23.70'' × 19.29'' × 4.57'')
	Net Weight	2.97 ± 0.5 kg (6.55 ± 1.10 lb.)
	Gross Weight	4.02 ± 0.5 kg (8.86 ± 1.10 lb.)
	Packing List	Power adapter × 1, power cable × 1, base bracket × 1, HDMI 1.5 m × 1, user manual × 1
	Remarks	*The base is included by default. *The product appearance and parameters in this specification may vary from your actual device. Please consult our local sales staff for further information.

▪ Available Model

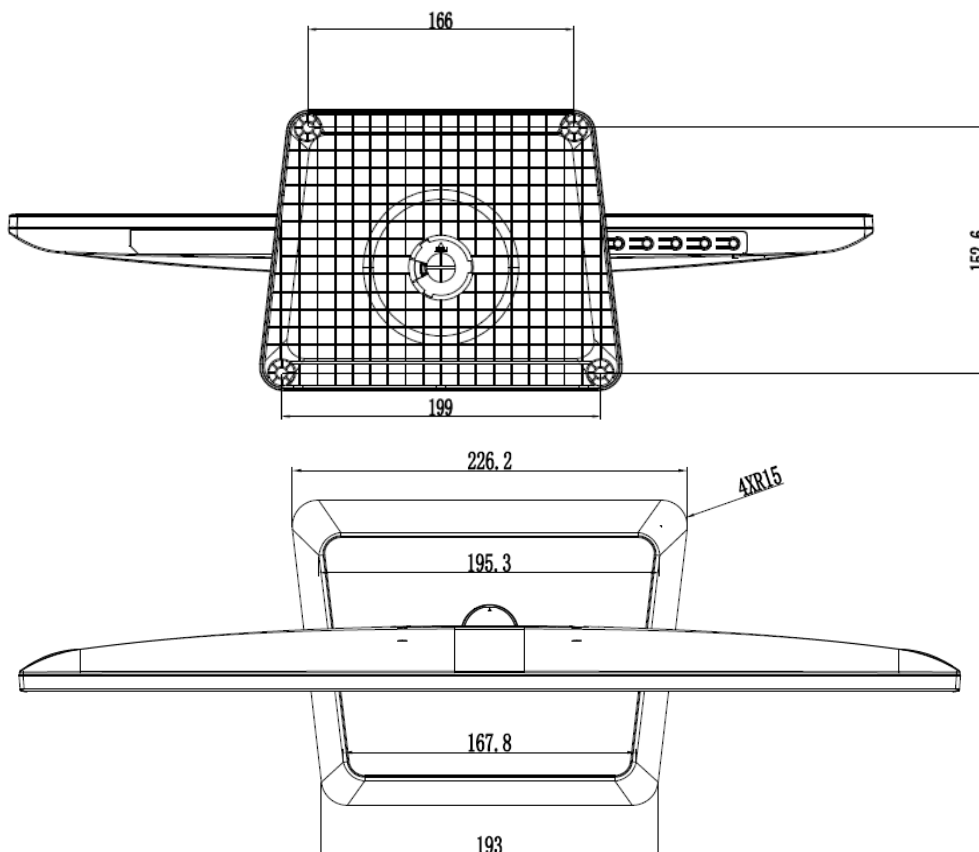
DS-D5024FN-B

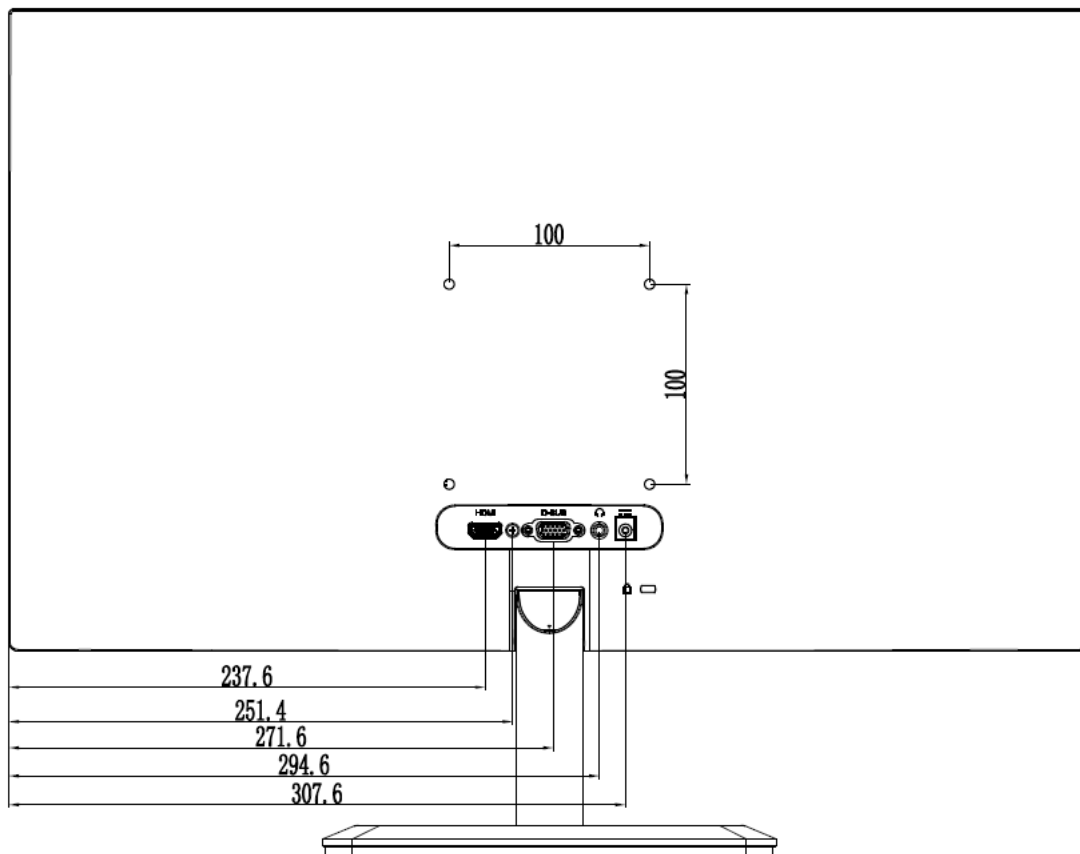
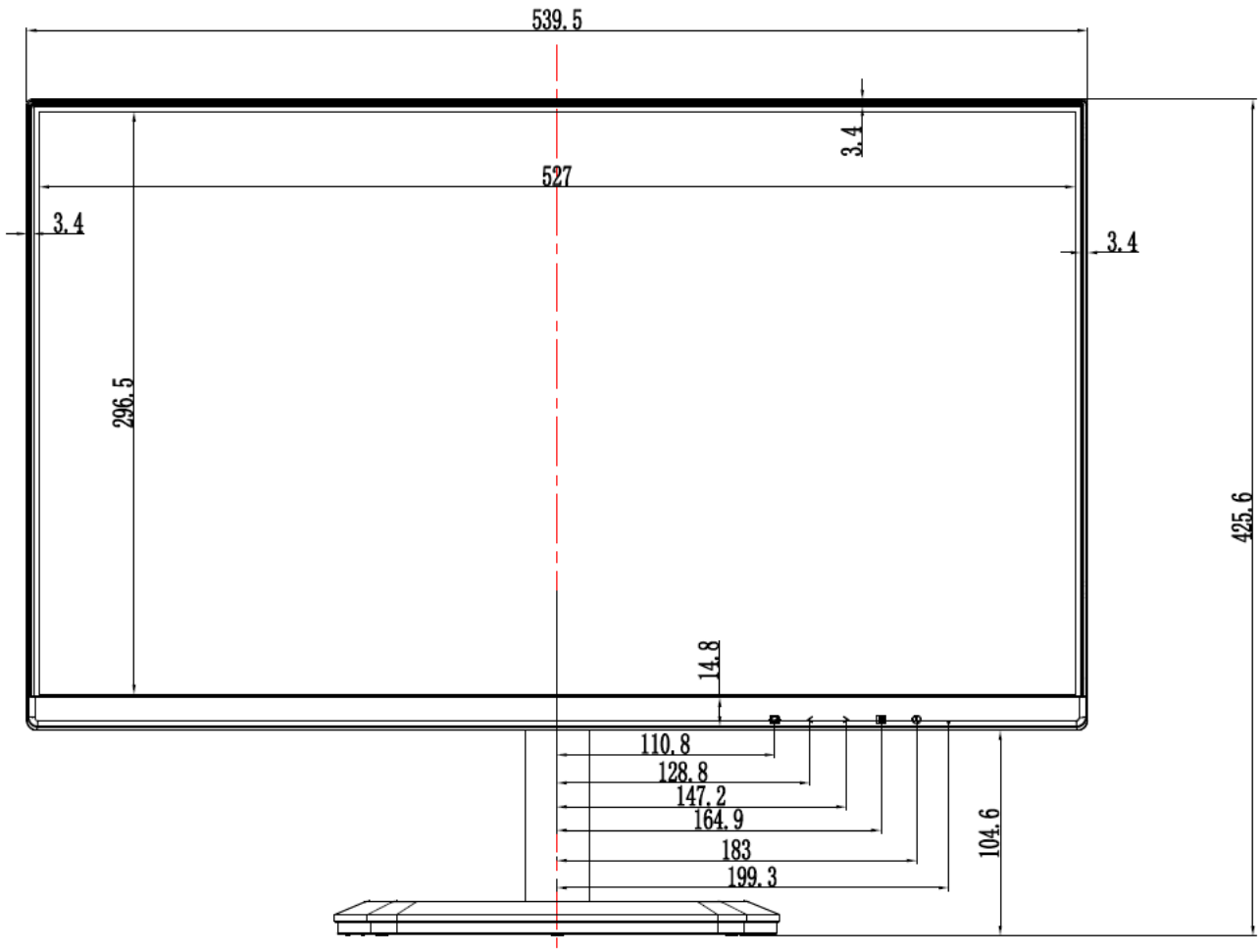
▪ Physical Interface

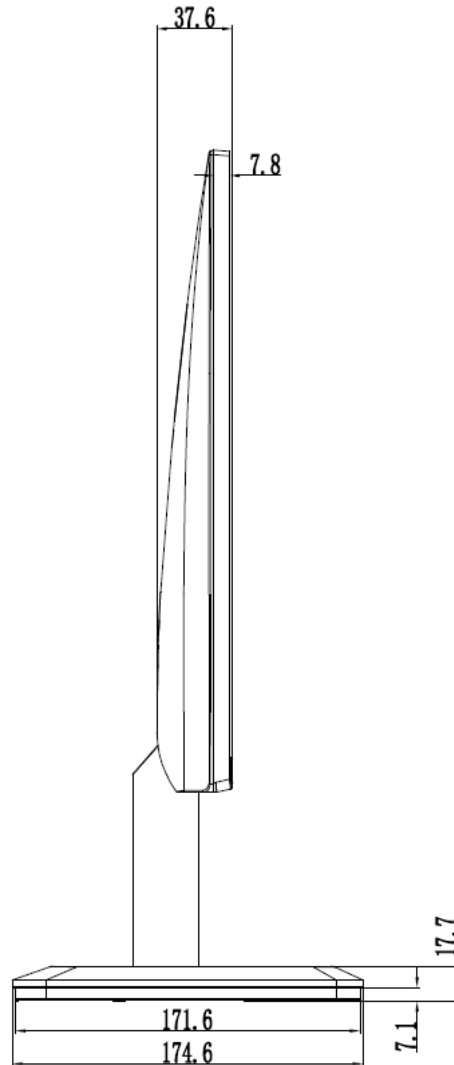


Interface	Description
HDMI	HDMI Input
D-SUB	VGA Input
Ω	3.5 mm Audio Output
DC 12V	12 VDC Input

▪ Dimension







Distributed by



## HIKVISION®

### Headquarters

No.555 Qianmo Road, Binjiang District,  
Hangzhou 310051, China  
T +86-571-8807-5998  
overseasbusiness@hikvision.com

**Hikvision USA**  
T +1-909-895-0400  
sales.usa@hikvision.com

**Hikvision Australia**  
T +61-2-8599-4233  
salesau@hikvision.com

**Hikvision India**  
T +91-22-28469900  
sales@pramahikvision.com

**Hikvision Canada**  
T +1-866-200-6690  
sales.canada@hikvision.com

**Hikvision Thailand**  
T +662-275-9949  
sales.thailand@hikvision.com

**Hikvision Europe**  
T +31-23-5542770  
sales.eu@hikvision.com

**Hikvision Italy**  
T +39-0438-6902  
info.it@hikvision.com

**Hikvision Brazil**  
T +55 11 3318-0050  
Latam.support@hikvision.com

**Hikvision Turkey**  
T +90 (216)521 7070- 7074  
sales.tr@hikvision.com

**Hikvision Malaysia**  
T +601-7652-2413  
sales.my@hikvision.com

**Hikvision UK & Ireland**  
T +01628-902140  
sales.uk@hikvision.com

**Hikvision South Africa**  
Tel: +27 (10) 0351172  
sale.africa@hikvision.com

**Hikvision France**  
T +33(0)1-85-330-450  
info.fr@hikvision.com

**Hikvision Kazakhstan**  
T +7-727-9730667  
nikia.panfilov@hikvision.ru

**Hikvision Vietnam**  
T +84-974270888  
sales.vt@hikvision.com

**Hikvision UAE**  
T +971-4-4432090  
salesme@hikvision.com

**Hikvision Singapore**  
T +65-6684-4718  
sg@hikvision.com

**Hikvision Spain**  
T +34-91-737-16-55  
info.es@hikvision.com

**Hikvision Tashkent**  
T +99-87-1238-9438  
uzb@hikvision.ru

**Hikvision Hong Kong**  
T +852-2151-1761  
info.hk@hikvision.com

**Hikvision Russia**  
T +7-495-669-67-99  
saleru@hikvision.com

**Hikvision Korea**  
T +82-(0)31-731-8817  
sales.korea@hikvision.com

**Hikvision Poland**  
T +48-22-460-01-50  
info.pl@hikvision.com

**Hikvision Indonesia**  
T +62-21-2933759  
Sales.Indonesia@hikvision.com

**Hikvision Colombia**  
sales.colombia@hikvision.com