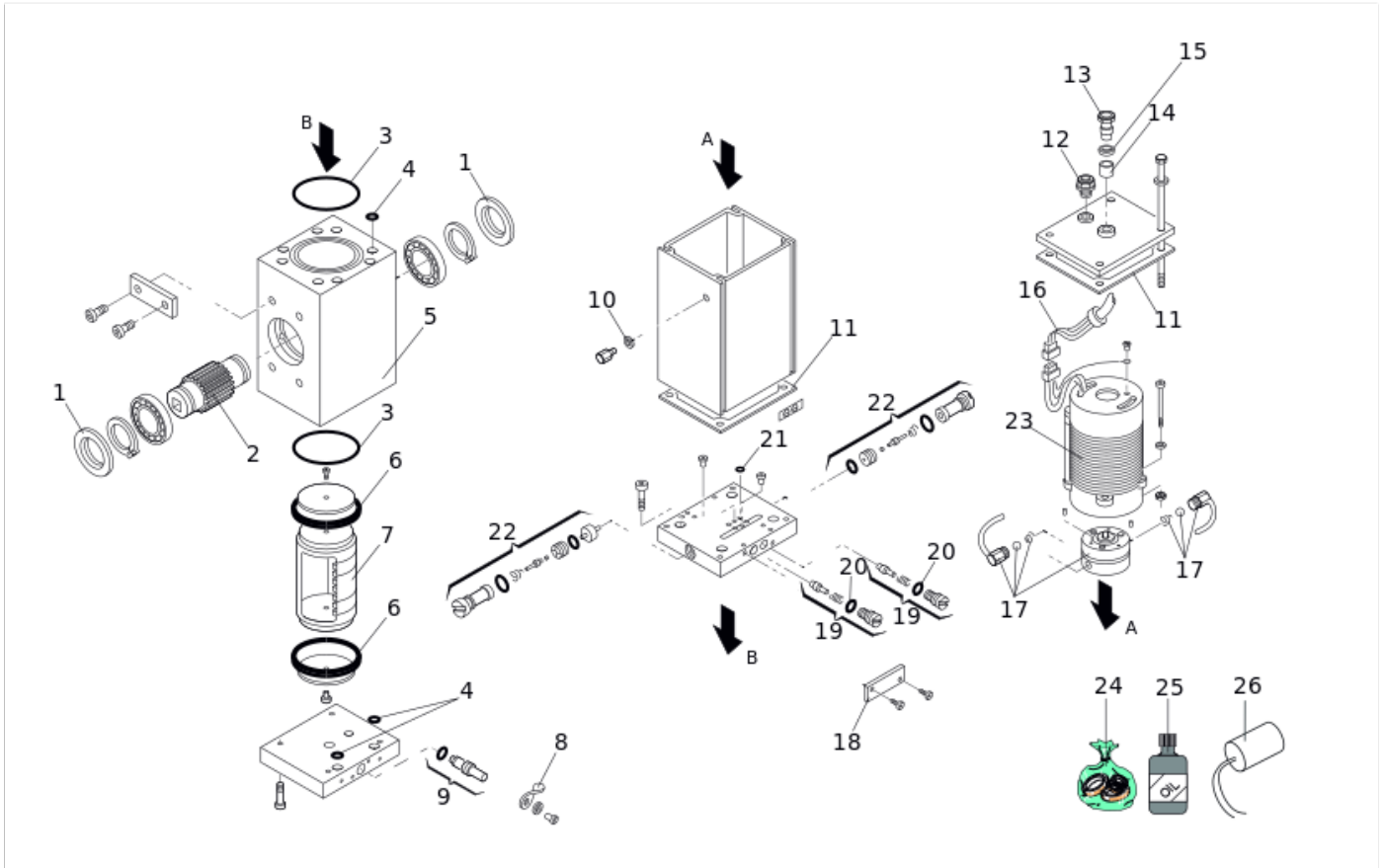


560 CBAC



Pos.	Code	EAN	Quantity	Replacement code	Description	Salable
1	7093025	8055195051254	2		GASKET SM 35X62X7	yes
2	7191095	8055195023640	1		PINION 560 - 580	yes
3	7090100025	8055195040111	2		GASKET OR 72.69X2.62 (3287)	yes
4	7090030015	8055195040081	10		GASKET OR 6.75X1.78 (106)	yes
5	716079	8055195011012	1		560-580 ACTUATOR BODY	yes
6	7092025	8055195022544	2		S36 60X70X7,2 PU 22487 GASKET	yes
7	716081	8055195011036	1		RACK PISTON 560- 580-630	yes
8	7290155	8055195024951	1		593-595-560-750 RELEASE LEVER	yes
9	63000677	8055195057966	1		560 RELEASE SCREW (2019)	yes

Pos.	Code	EAN	Quantity	Replacement code	Description	Salable
10	7094065	8055195022667	2		COPPER WASHER 7X4X1	yes
11	7099005	8055195022810	2		FLAT GASKET 560- 580-630	yes
12	7110015	8055195022995	1		CAP	yes
13	7109095	8055195022957	1		CABLE GLAND	yes
14	7099245	8055195022841	1		STRAIN RELIEF GASKET	yes
15	7043355	8055195022131	1		CABLE GLAND RING	yes
16	7514065	8055195025736	1		CABLE M.1 '92 W/O MOTOR THERMAL PROTECT.	yes
17	3204335	8055195015003	1		560 ACTUATOR FAAC PUMP 1 LT	yes
18	7203275	8055195023831	1		BY-PASS PROTECTION MOBILE CE97	yes
19	4180395	8055195015508	2		BY PASS BRASS CAP	yes
20	7090150015	8055195040135	2		GASKET OR 9.25X1.78 (2037)	yes
21	7090010015	8055195040074	2		SEAL OR 4,48X1,78 (2018)	yes
22	63003362	8055195058383	1		560-580 STOP VALVE GROUP	yes
23	7700055	8055195025972	1		MOTOR 220V 4P. SINGLE PHASE WITH THERMAL	yes
24	390808	8055195051193	1		GASKET KIT 560/580/630	yes
25	714017	8055195010923	2		HYDRAULIC OIL FAAC HP OIL LT. 1	yes
26	7601351	8055195025941	1		CAPACITOR PP 8MF-400V WIRES UNIP.250MM	yes