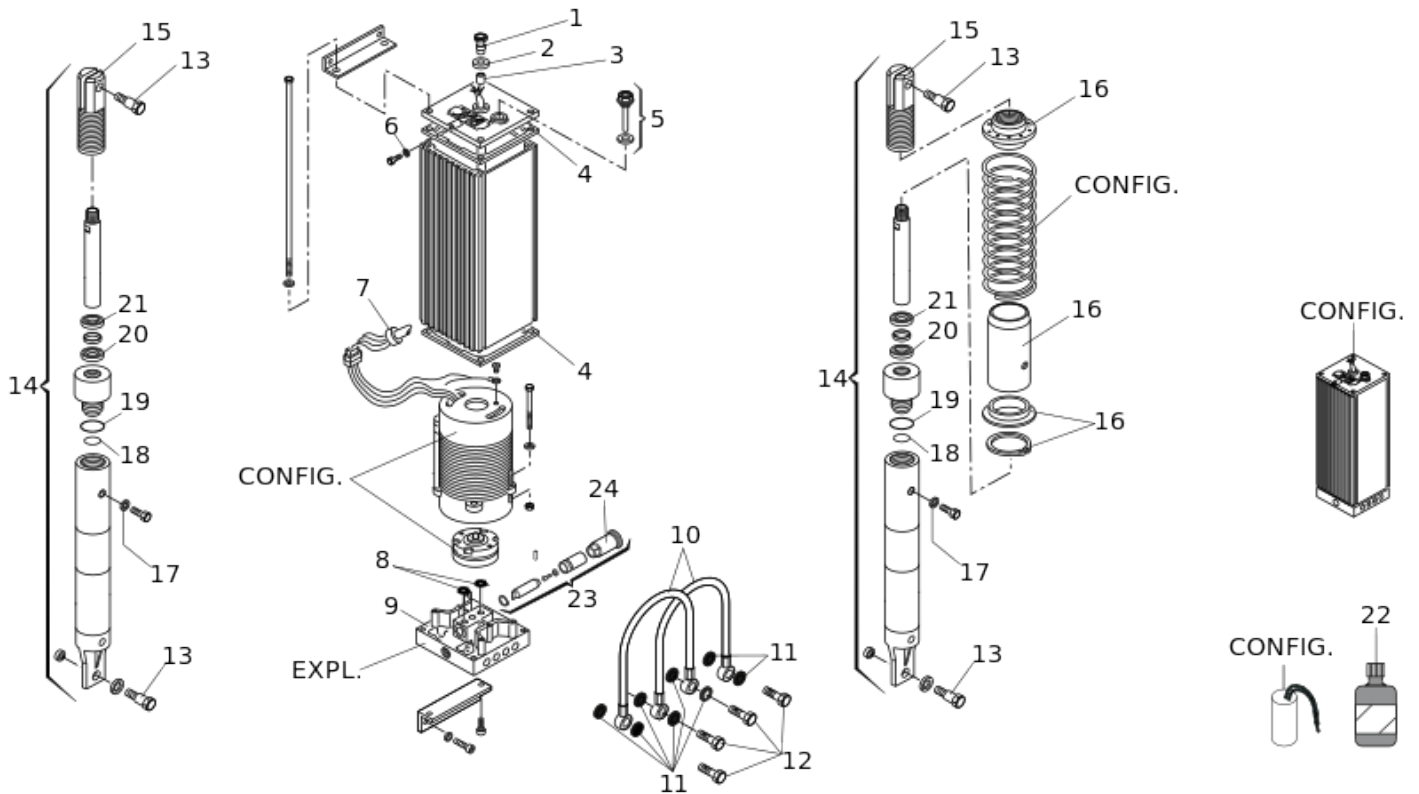


## 620 RAP 2



| Pos. | Code       | EAN           | Quantity | Replacement code | Description                              | Salable |
|------|------------|---------------|----------|------------------|--|---------|
| 1    | 7109095    | 8055195022957 | 1        |                  | CABLE GLAND                              | yes     |
| 2    | 7043355    | 8055195022131 | 1        |                  | CABLE GLAND RING                         | yes     |
| 3    | 7099245    | 8055195022841 | 1        |                  | STRAIN RELIEF GASKET                     | yes     |
| 4    | 7099315    | 8055195022858 | 2        |                  | G.D.O. 590 FLAT GASKET                   | yes     |
| 5    | 7112065    | 8055195023084 | 1        |                  | Oil level plug with level indicator      | yes     |
| 6    | 7094065    | 8055195022667 | 1        |                  | COPPER WASHER 7X4X1                      | yes     |
| 7    | 7514075    | 8055195025743 | 1        |                  | CABLE M.1.8 W/O MOTOR THERMAL PROTECTION | yes     |
| 8    | 7090010015 | 8055195040074 | 2        |                  | SEAL OR 4,48X1,78 (2018)                 | yes     |
| 9    | 4997645    | 8055195015966 | 1        |                  | C.T.B.DISTRIBUTION FLANGE UNIT           | yes     |
| 10   | 63000112   | 8055195028966 | 2        |                  | FLEXIBLE PIPE GROUP OCC/OCC              | yes     |

| Pos. | Code       | EAN           | Quantity | Replacement code | Description                             | Salable |
|------|------------|---------------|----------|------------------|---|---------|
| 11   | 63003231   | 8055195043648 | 8        |                  | BONDED SEAL 1/8 GAS CENT. 89096DICKTOMA | yes     |
| 12   | 7110115    | 8055195023022 | 4        |                  | "SW.G.RAM 750 CAP 1/8"" KEY 13 H29,5"   | yes     |
| 13   | 7182155    | 8055195023534 | 4        |                  | C.T.B.620-640 BAR PIN W/JOINT           | yes     |
| 14   | 63003417   | 8055195062076 | 2        |                  | 620 PLUNGER WITH THREADED FORK          | yes     |
| 15   | 7221005    | 8055195024111 | 2        |                  | SPRING ADJUSTMENT FORK W/JOINT          | yes     |
| 16   | 63003318   | 8055195057676 | 1        |                  | 620/640 SPRING SUPPORT AND NUT GROUP    | yes     |
| 17   | 7094145    | 8055195022704 | 2        |                  | 400/003/4490 BONDED SEAL                | yes     |
| 18   | 7090350025 | 8055195040241 | 2        |                  | GASKET OR 34.60X2.62 (3137)             | yes     |
| 19   | 7090360025 | 8055195040258 | 2        |                  | GASKET OR 40.95X2.62 (3162)             | yes     |
| 20   | 7095095    | 8055195022797 | 2        |                  | EU 2028/S SEAL                          | yes     |
| 21   | 7095015    | 8055195022742 | 2        |                  | SCRAPER RING                            | yes     |
| 22   | 714017     | 8055195010923 | 3        |                  | HYDRAULIC OIL FAAC HP OIL LT. 1         | yes     |
| 23   | 424593     | 8055195008791 | 1        |                  | C.T.B.EXTERNAL RELEASE TRINAGULAR KEY   | yes     |
| 24   | 7128035    | 8055195023190 | 1        |                  | CYLINDER LOCK                           | yes     |