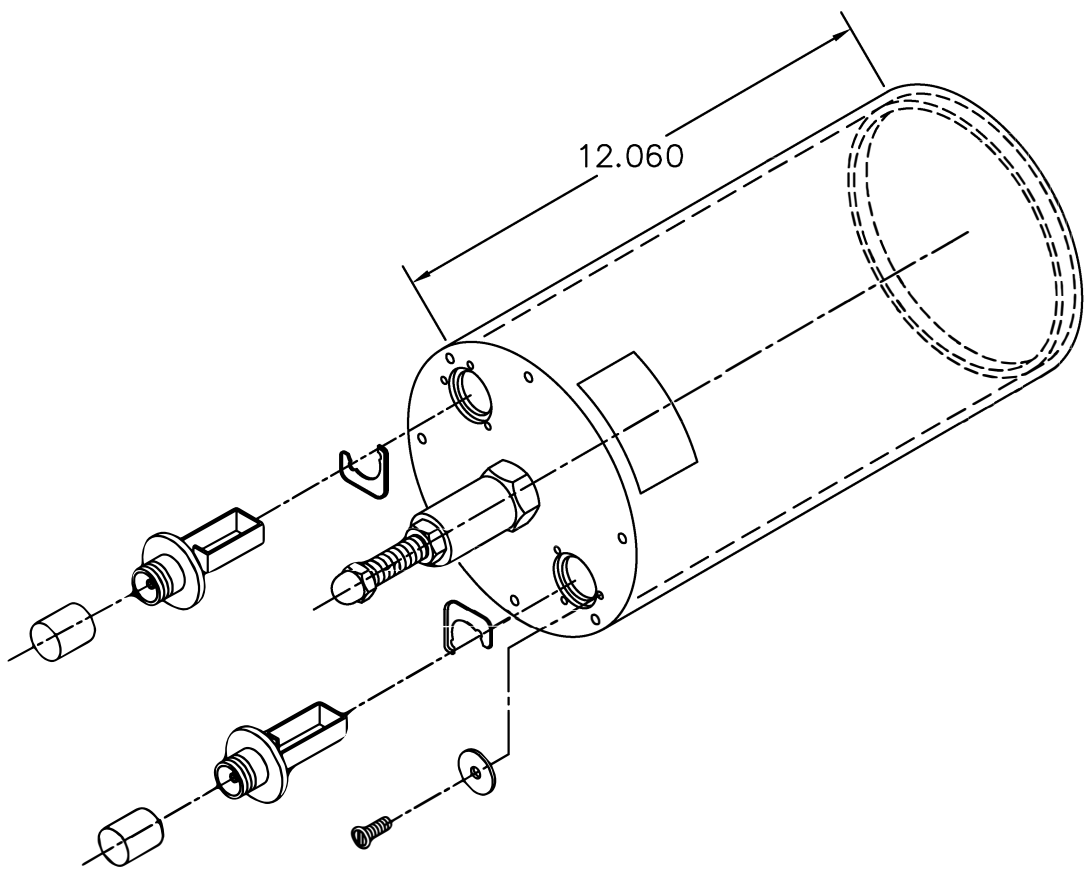



REVISIONS			
REV.	DESCRIPTION	DATE	APPROVED
-	RELEASED ACAD 2007	3/25/11	*FAP



ITEM	QTY	PART NUMBER	DESCRIPTION
UNLESS OTHERWISE SPECIFIED DIMENSIONS ARE IN INCHES TOLERANCES ARE:		DO NOT SCALE DRAWING	
FRACTIONS ±	DECIMALS .XX± .010 .XXX± .005	ANGLES ± .5°	 TELEWAVE, Inc. 660 GIGUERE COURT, SAN JOSE, CALIFORNIA 95133
MATERIAL SEE P/L			
FINISH -		APPROVALS DRAWN R.J. CHECKED FAP ISSUED	DATE 8/25/06 3/25/11
		SIZE B	DWG. NO. 8904
		SCALE NTS	SHEET 1 of 1

THIS DOCUMENT CONTAINS PROPRIETARY INFORMATION WHICH SHALL NOT BE REPRODUCED, TRANSFERRED TO OTHER DOCUMENTS, DISCLOSED TO OTHERS, USED FOR MANUFACTURING OR ANY OTHER PURPOSE WITHOUT PRIOR WRITTEN AUTHORIZATION FROM TELEWAVE Inc.