

EPCOM

1630 Paisano Dr.
El Paso. Tx 79901.

Ph (915)533-5119
www.epcom.net

SYSCOM

Ave 20 de Noviembre No. 805 Col. Centro
Chihuahua, Chih. 31000

Tel 052 (614) 415 – 2525
www.syscom.mx

G53160924 Microphone Element Packing TK-2202 and 2206

TK-2202/2206 (Y50-5890-XX)
TX-RX UNIT (X57-6870-20)

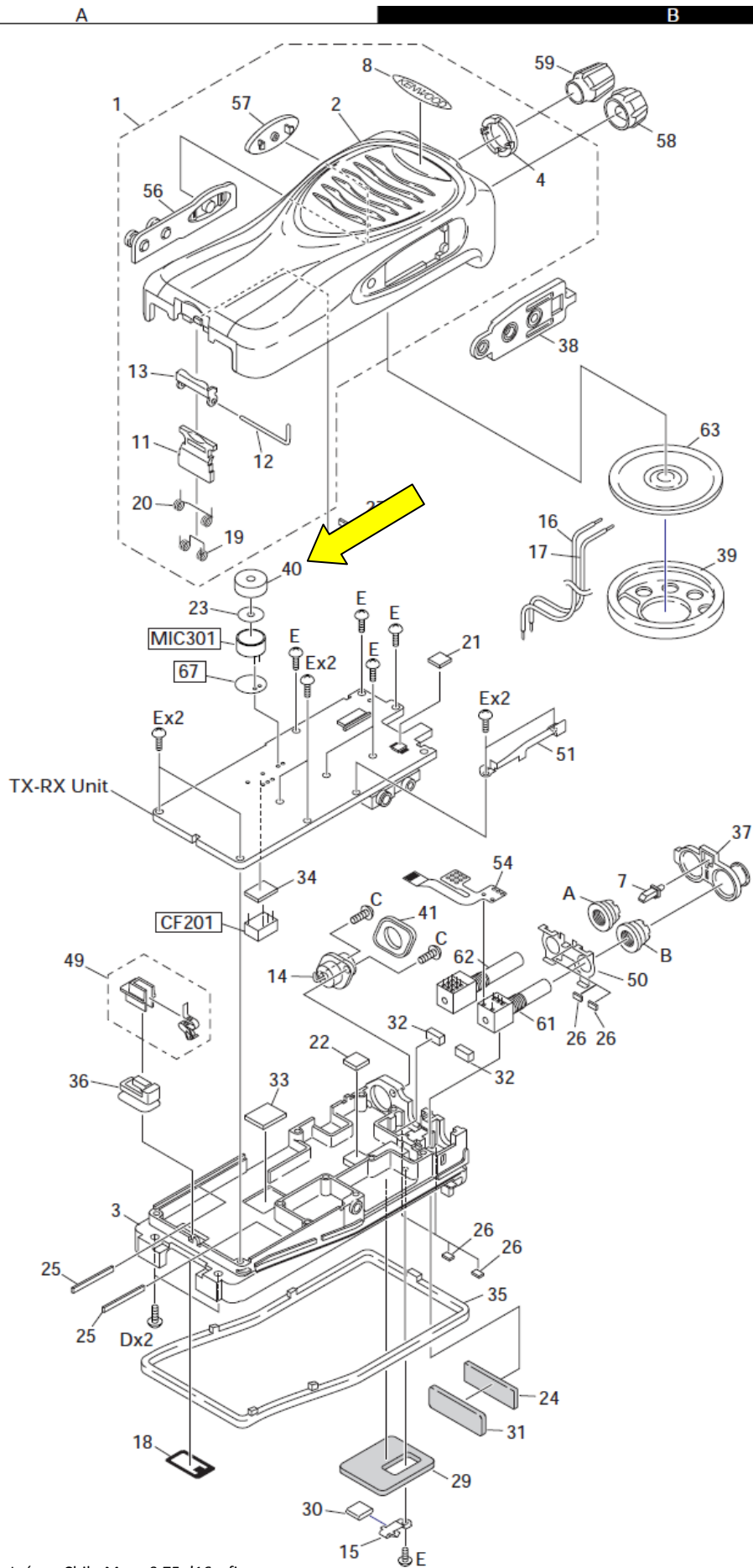
Ref. No.	Address	New parts	Parts No.	Description	Destination	Ref. No.	Address	New parts	Parts No.	Description	Destination
TK-2202/2206						TX-RX UNIT (X57-6870-20)					
1	1A	*	A02-3851-23	CABINET ASSY(16CH)	BM	54	2B	*	J82-0092-05	FPC	
1	1A	*	A02-3852-23	CABINET ASSY(8CH)	AK,AM	56	1A	*	K29-9307-03	BUTTON KNOB(SIDE1/SIDE2)	
2	1A	*	A02-3858-13	CABINET		57	1A	*	K29-9308-03	BUTTON KNOB(PTT)	
3	3A	*	A10-4078-01	CHASSIS		58	1B	*	K29-9309-03	KNOB(VOL)	
4	1B	*	A21-1644-13	DRESSING PANEL(16CH)	BM	59	1B	*	K29-9318-03	KNOB(CH)	
4	1B	*	A21-1645-13	DRESSING PANEL(8CH)	AK,AM	A	2B	*	N14-0808-04	CIRCULAR NUT(CH KNOB)	
6	2C,2E	*	B09-0680-03	CAP(SP/MIC) ACCESSORY		B	2B	*	N14-0812-04	CIRCULAR NUT(VOL KNOB)	
7	2B	*	B11-1817-04	ILLUMINATION GUIDE		C	2A,2B	*	N30-2604-46	PAN HEAD MACHINE SCREW(SMA)	
8	1B	*	B43-1156-04	BADGE		D	3A	*	N30-2606-46	PAN HEAD MACHINE SCREW(CHASSIS)	
9	1C	*	B62-1762-00	INSTRUCTION MANUAL	AK,AM	E	2A,2B,3B	*	N83-2005-46	PAN HEAD TAPTITE SCREW(PCB)	
10	1E	*	B62-1763-00	INSTRUCTION MANUAL	BM	60	1C,2F	*	N99-2043-05	SCREW SET ACCESSORY	
11	1A	*	D10-0649-03	LEVER		61	2B	*	R31-0653-05	VARIABLE RESISTOR(POWER SW/VOL)	
12	1A	*	D21-0863-04	SHAFT		62	2B	*	S60-0427-05	ROTARY SWITCH(16CH)	BM
13	1A	*	D32-0441-03	STOPPER		62	2B	*	S60-0428-15	ROTARY SWITCH(8CH)	AK,AM
14	2A	*	E04-0451-05	RF COAXIAL RECEPTACLE(SMA)		63	1B	*	T07-0369-05	SPEAKER	
15	3B	*	E23-1253-04	TERMINAL(BATT-)		64	1C	*	T90-1036-05	HELICAL ANTENNA ACCESSORY	AK,AM
16	2B	*	E37-0794-05	PROCESSED LEAD WIRE(SP+)		65	2D	*	W08-0969-05	CHARGER ACCESSORY	AK,AM
17	2B	*	E37-0803-05	PROCESSED LEAD WIRE(SP-)		66	1D	*	W08-0970-05	AC ADAPTER(AC120V) ACCESSORY	AK
18	3A	*	F20-3353-14	INSULATING SHEET(CHASSIS BATT+)		66	1D	*	W08-0971-05	AC ADAPTER(AC230V) ACCESSORY	AM
19	2A	*	G01-4542-04	COIL SPRING(LEVER)		TX-RX UNIT (X57-6870-20)					
20	1A	*	G01-4543-04	COIL SPRING(STOPPER)		D403			B30-2156-05	LED(RED)	
21	2B	*	G10-1330-04	FIBROUS SHEET(IC302:AUDIO IC)		D404			B30-2157-05	LED(YELLOW)	
22	3A	*	G11-4283-04	RUBBER SHEET(Q106:FINAL FET)		C1			CK73HB1H332K	CHIP C 3300PF K	
23	2A	*	G11-4313-04	SHEET(MIC ELEMENT)		C2			CK73HB1C682K	CHIP C 6800PF K	
24	3B	*	G11-4318-04	SHEET		C3			CK73GB1A105K	CHIP C 1.0UF K	
25	3A	*	G11-4320-14	SHEET		C4			CK73HB1C103K	CHIP C 0.010UF K	
26	2B,3B	*	G11-4322-04	SHEET		C5			CK73HB1H102K	CHIP C 1000PF K	
27	2A	*	G11-4323-04	SHEET		C6			CK73HB1A104K	CHIP C 0.10UF K	
29	3B	*	G13-2009-04	CUSHION(TERMINAL BATT-)		C7	8		CC73HCH1H101J	CHIP C 100PF J	
30	3A	*	G13-2033-04	CUSHION(TERMINAL BATT+)		C9			CC73HCH1H100D	CHIP C 10PF D	
31	3B	*	G13-2034-14	CUSHION(CHASSIS)		C10			C92-0713-05	CHIP-TAN 10UF 6.3WV	
32	2B	*	G13-2037-04	CUSHION(CHASSIS VOL/CH)		C11			CC73HCH1H101J	CHIP C 100PF J	
33	3A	*	G13-2038-04	CUSHION(CHASSIS-CERAMIC FILTER)		C12			CK73HB1H102K	CHIP C 1000PF K	
34	2A	*	G13-2039-04	CUSHION(PCB-CERAMIC FILTER)		C13			CK73HB1A104K	CHIP C 0.10UF K	
35	3A	*	G53-1604-03	PACKING(CHASSIS)		C14			CK73HB1C103K	CHIP C 0.010UF K	
36	3A	*	G53-1605-03	PACKING(TERMINAL BATT+)		C15			CC73HCH1H100D	CHIP C 10PF D	
37	2B	*	G53-1606-03	PACKING(VOL/CH/LED)		C16			CK73HB1H102K	CHIP C 1000PF K	
38	1B	*	G53-1607-03	PACKING(SP/MIC)		C17			CC73HCH1H470J	CHIP C 47PF J	
39	2B	*	G53-1608-03	PACKING(SP)		C18			CC73HCH1H180J	CHIP C 18PF J	
40	2A	*	G53-1609-14	PACKING(MIC ELEMENT)		C19			CK73HB1A104K	CHIP C 0.10UF K	
41	2B	*	G53-1610-04	PACKING(SMA)							



1

2

3



- A :N14-0808-04
- B :N14-0812-04
- C :N30-2604-46
- D :N30-2606-46
- E :N83-2005-46