

EPCOM syscom

1630 Paisano Dr.
El Paso. Tx 79901.

Ph (915)533-5119

www.epcom.net

SYSCOM

Ave 20 de Noviembre No. 805
Col. Centro Chihuahua, Chih. 31000

Tel 052 (614) 415 – 2525

www.syscom.mx

G53186812 Top Controls and Antenna Replacement Rubber Packing

TK-3000

PARTS LIST

* New Parts. ΔIndicates safety critical components.
Parts without **Parts No.** are not supplied.
Les articles non mentionnes dans le **Parts No.** ne sont pas fournis.
Teile ohne **Parts No.** werden nicht geliefert.

L : Scandinavia K : USA P : Canada
Y : PX (Far East, Hawaii) T : England E : Europe
C : China X : Australia M : Other Areas

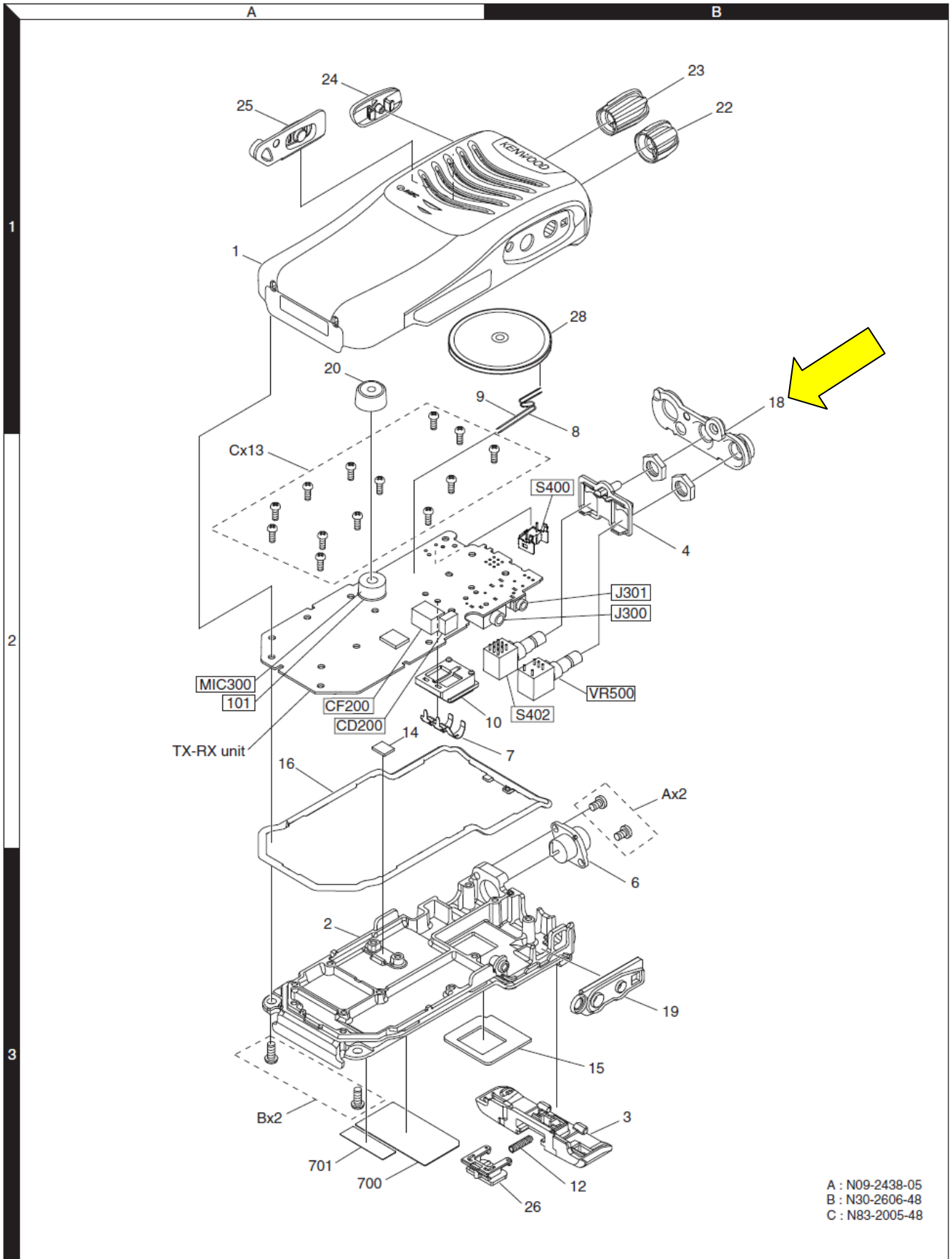
TK-3000

TX-RX UNIT (X57-8103-XX)

Ref. No.	Address	New parts	Parts No.	Description	Desti-nation
TK-3000					
1	1A		A02-4135-03	PLASTIC CABINET ASSY	
2	3A		A10-4150-11	CHASSIS	
3	3B		A82-0081-02	REAR PANEL	
4	2B		B11-1892-03	ILLUMINATION GUIDE	
6	3B		E04-0486-05	RF COAXIAL RECEPTACLE(SMA)	
7	2A		E23-1364-04	TERMINAL (BATT)	
8	1B		E37-1535-05	PROCESSED LEAD WIRE(SP+/BROWN)	
9	1B		E37-1536-05	PROCESSED LEAD WIRE(SP+/GREEN)	
10	2A		E72-0436-03	TERMINAL BLOCK	
12	3B		G01-4571-04	COIL SPRING	
14	2A		G11-4437-04	SHEET(Q102-SHASSIS)	
15	3B		G13-2348-14	CUSHION(BATT-TERMINAL)	
16	2A		G53-1867-03	PACKING(CHASSIS)	
18	1B		G53-1868-02	PACKING(TOP)	
19	3B		G53-1869-03	PACKING(JACK)	
20	1A		G53-1871-04	PACKING(MIC)	
22	1B		K29-9487-03	KNOB(VOL)	
23	1B		K29-9488-03	KNOB(SELECTOR)	
24	1A		K29-9489-03	KNOB(PTT)	
25	1A		K29-9490-03	BUTTON KNOB(SIDE KEY)	
26	3B		K29-9491-03	LEVER KNOB(BATTERY)	
A	2B		N09-2438-05	BINDING HEAD SCREW(ANT)	
B	3A		N30-2606-48	PAN HEAD MACHINE SCREW(CABINET)	
C	1A,2A		N83-2005-48	PAN HEAD TAPTITE SCREW(X57)	
28	1B		T07-0787-05	SPEAKER	

Ref. No.	Address	New parts	Parts No.	Description	Desti-nation
TX-RX UNIT (X57-8103-XX) -00 : K, M -01 : M2					
D400			B30-1782-05	LED(GREEN)	
D401			B30-1779-05	LED(RED)	
C1			CS77CA1ER47M	CHIP TNTL 0.47UF	25WV
C2			CK73HB1H102K	CHIP C 1000PF	K
C3			CK73HB1A104K	CHIP C 0.10UF	K
C4			CS77CA1C100M	CHIP TNTL 10UF	16WV
C5			CS77CA1E010M	CHIP TNTL 1.0UF	25WV
C7			CC73HCH1H150J	CHIP C 15PF	J
C7			CC73HCH1H270J	CHIP C 27PF	J
C8			CK73HB1A104K	CHIP C 0.10UF	K
C9			CC73HCH1H030B	CHIP C 3.0PF	B
C10 ,11			CK73HB1A105K	CHIP C 1.0UF	K
C12			CC73HCH1H220J	CHIP C 22PF	J
C12			CC73HCH1H270J	CHIP C 27PF	J
C13			CS77CP0J010M	CHIP TNTL 1.0UF	6.3WV
C14 ,15			CK73HB1C103K	CHIP C 0.010UF	K
C16			CK73HB1H102K	CHIP C 1000PF	K
C17			CC73HCH1H040B	CHIP C 4.0PF	B
C19			CK73HB1H102K	CHIP C 1000PF	K
C20			CS77CA1A220M	CHIP TNTL 2.2UF	10WV
C21			CC73GCH1H0R5B	CHIP C 0.5PF	B
C21,22			CC73GCH1HR75B	CHIP C 0.75PF	B
C22			CK73GB1H102K	CHIP C 1000PF	K
C23 ,24			CK73HB1H102K	CHIP C 1000PF	K
C25			CC73HCH1H050B	CHIP C 5.0PF	B
C26			CK73HB1H102K	CHIP C 1000PF	K
C27			CC73HCH1H220J	CHIP C 22PF	J





A : N09-2438-05
 B : N30-2606-48
 C : N83-2005-48