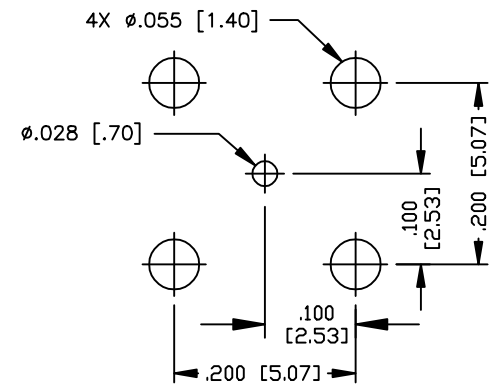
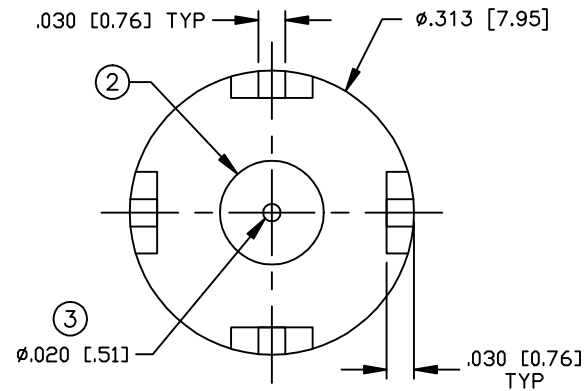
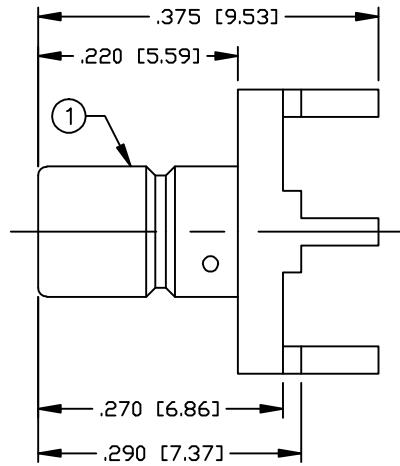


PART NO.

**RSB-4350-1-75**

REV	DESCRIPTION	DWN	DATE	APPROVED
A	ENGINEERING RELEASE	KMM	12/26/95	R. RICE
B	UPDATED DWG / CHANGE DWG # FROM 8589	CZS	07/24/08	JDMc



RECOMMENDED MOUNTING CONFIGURATION

**SPECIFICATIONS:**

IMPEDANCE: 75 Ohms  
 FREQUENCY RANGE: 0-2 GHz  
 INSULATION RESISTANCE: 1k M Ohms min.  
 TEMPERATURE RANGE: -65°C TO 165°C

#	DESCRIPTION	QTY	MATERIAL	FINISH
3	CONTACT	1	BRASS	GOLD, 30 $\mu$ "
2	INSULATOR	1	PTFE	---
1	BODY	1	BRASS	GOLD, 3 $\mu$ "

CUSTOMER OUTLINE DRAWING	
ALL DIMENSIONS ARE REFERENCE ONLY	
UNLESS OTHERWISE SPECIFIED: DIMENSIONS ARE IN INCHES AND [MILLIMETERS]	
DRAWN C. ZUNIGA	07/24/08
CHECKED	
DRJ DRAWN K. MAXWELL	12/26/95

**RoHS  
COMPLIANT**

PROPRIETARY AND CONFIDENTIAL  
 THIS DRAWING CONTAINS  
 INFORMATION PROPRIETARY TO  
 RF INDUSTRIES. ANY  
 UNAUTHORIZED USE OF THIS  
 DRAWING IS EXPRESSLY  
 PROHIBITED WITHOUT WRITTEN  
 PERMISSION FROM RF  
 INDUSTRIES. ANY VIOLATION IS  
 PUNISHABLE UNDER U.S.  
 COPYRIGHT LAWS.

**RFconnectors**

7610 MIRAMAR RD.  
 SAN DIEGO, CA 92126  
 (858) 549-6340  
 DIVISION OF RF INDUSTRIES, LTD. (858) 549-6345 FAX

**SMB JACK**  
 PCB MOUNT, VERTICAL, 4 LEG

SIZE	CABLE GROUP	DWG NO.	REV
A	N/A	<b>RSB-4350-1-75</b>	B
SCALE: NTS	ENGINEERING ID: 001560	SHEET 1 OF 1	