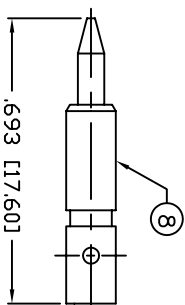
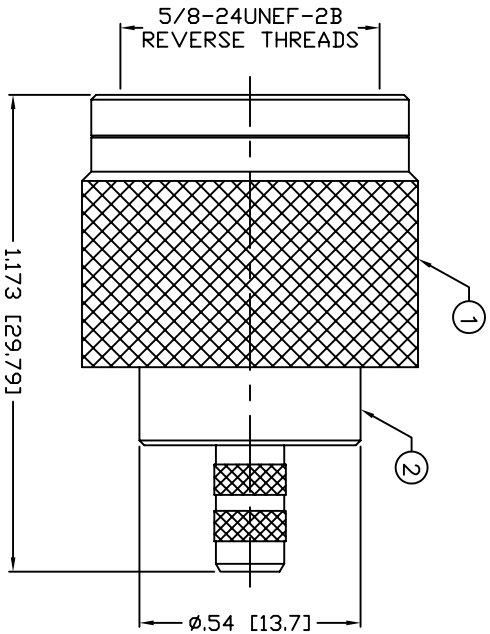
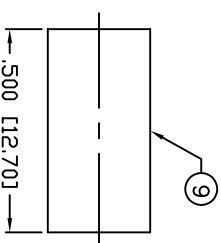


THIS DRAWING CONTAINS INFORMATION PROPRIETARY TO RF INDUSTRIES,
 ANY UNAUTHORIZED USE OF THIS DRAWING IS EXPRESSLY PROHIBITED
 WITHOUT WRITTEN PERMISSION FROM RF INDUSTRIES.
 ANY VIOLATION IS PUNISHABLE UNDER U.S. COPYRIGHT LAWS.

ALL DIMENSIONS ARE REFERENCE ONLY



RECOMMENDED CRIMP DIE: .100"



RECOMMENDED CRIMP DIE: .213"

SPECIFICATIONS:

IMPEDANCE: 50 Ohms
 FREQUENCY RANGE: 0-11 GHz
 VSWR: 1.3 Max. @ 9 GHz
 INSERTION LOSS: .06 dB Max. x $\sqrt{f(\text{GHz})}$
 WORKING VOLTAGE: 1k V rms @ sea level
 TEMPERATURE RANGE: -65°C TO 85°C
 INSULATION RESISTANCE: 5k M Ohms min.
 FOR RG-58, 58A, 58C, 141, 141A, BELDEN 8240,
 8259, 8262, 9201, 9203, 9310, 9311 & COMM/SCOPE 0268

#	DESCRIPTION	QTY	MATERIAL	FINISH	APPROVALS	DATE
1	SHELL	1	BRASS	NICKEL, 100μ"	008974	
2	BODY	1	BRASS	NICKEL, 100μ"		
3	INSULATOR	1	PTFE	---		
4	FERRULE STUD	1	BRASS	NICKEL, 100μ"		
5	GROUND RING	1	BRASS	NICKEL, 100μ"		
6	GASKET	1	SILICONE	---		
7	RETAINING RING	1	SUS 304	---		
8	PIN	1	BRASS	GOLD, 3μ"		
9	FERRULE	1	BRASS	NICKEL, 100μ"		
10						
11						
12						
13						
14						

ROHS COMPLIANT

DIMENSIONS ARE IN INCHES AND [MILLIMETERS] UNLESS OTHERWISE NOTED TOLERANCES ARE: DIAMETER DECIMALS

RF Connectors
 DIVISION OF RF INDUSTRIES, LTD.

N PLUG, CRIMP REVERSE THREADS

7610 MIRAMAR RD
 SAN DIEGO, CA 92126
 (858) 549-6340
 (858) 549-6345 FAX

SIZE: A CABLE GROUP: C DWG NO.: RT-1005-C REV: ---

SCALE: NTS CAD FILE: OUTLINE SHEET 1 OF 1

PART NO. RT-1005-C		REV	DESCRIPTION	DWN	DATE	APPROVED
-	ENGINEERING RELEASE			CZS	07/19/07	JDMc