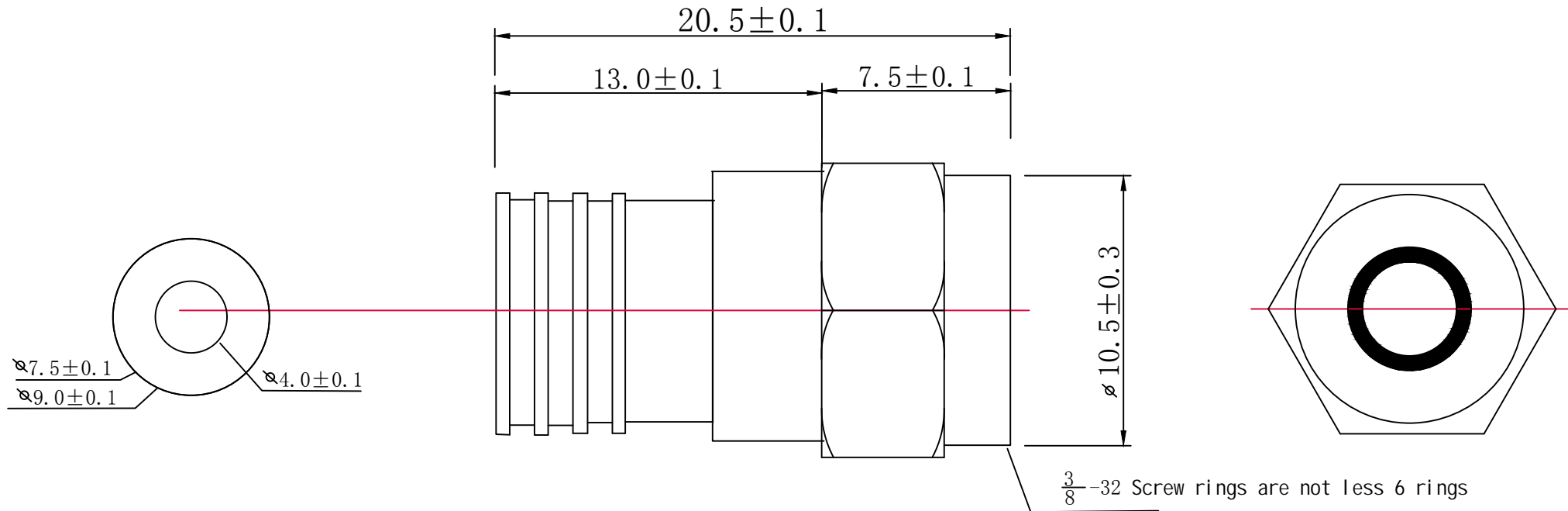


版本	说明	日期
A1.0		2020.8.17



Product: F male crimping connector
 Cable type:RG59
 Material:Brass Nickel plated
 Operationtemperature:-20 ~80°C
 Storagetemperature:-20 ~80°C

深圳市富视科技有限公司 SHENZHEN FUSHI TECHNOLOGY CO.,LTD						
未注公差	CUSTOMER:	A228	CUSTNO:			
X	±1	PRODUCTNO:	PARTNO:			
X.X	±0.5	TT-CON-535				
X.XX	±0.05					
X.XXX	±0.002	DRAWNBY	LIU	DRAWINGSIZE	1:1	A1
/	/	CHECKEDBY		UNIT	mm	
/	/	APPROVEDBY		PAGE	1 OF 1	
/	/	SORTINGNO.				