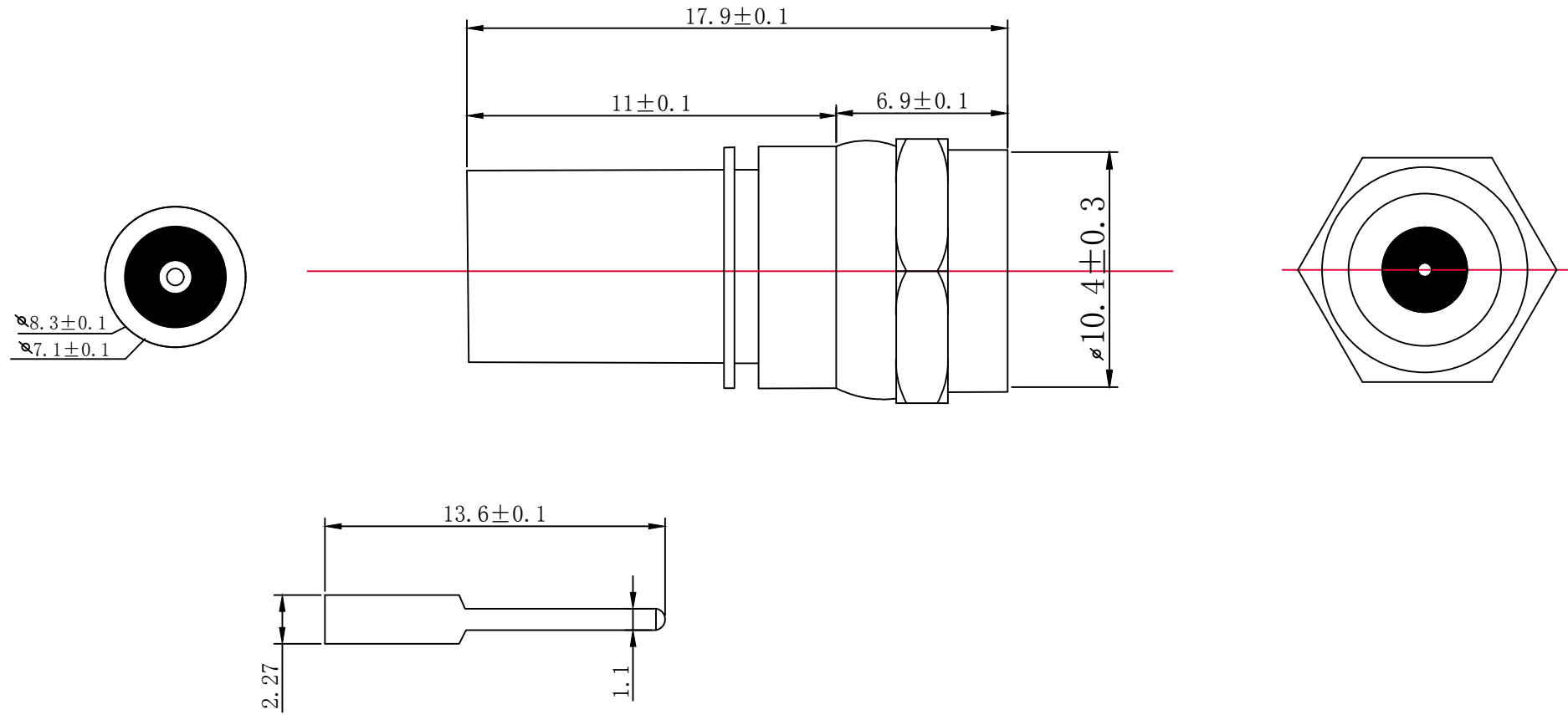


Version	Description	Date
A2	Updated	2021/9/28



Product:Femalecompressionconnector
FrequencyRange:0~2GHz
Centerneedlematerial:Copper
Cabletype:RG6
Material:BrassNickelplated
Operationtemperature:-20 ~80℃
Storage temperature:-20 ~80℃

深圳市富视科技有限公司
SHENZHEN FUSHI TECHNOLOGY CO.,LTD

未注公差	CUSTOMER:	SYSCOM	CUSTNO:	A228		
X	±1	PRODUCTNO		PARTNO:		
X.X	±0.5	TT-CON-537				
X.XX	±0.05					
X.XXX	±0.002	DRAWNBY	LIU	DRAWINGSIZE	1:1	A1
/	/	CHECKEDBY		UNIT	mm	
/	/	APPROVEDBY		PAGE	1 OF 1	
/	/	SORTINGNO.		