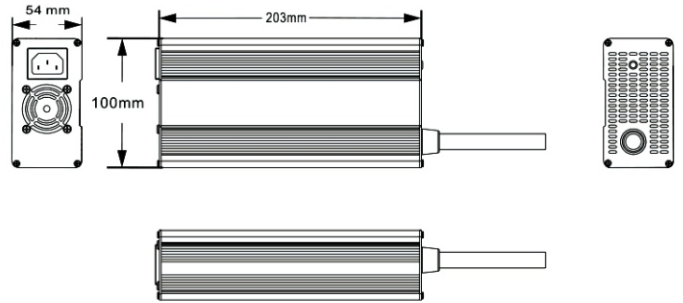


▶ Product Appearance



▶ Features

- Over Current Protection
- Short Circuit Protection
- Anti-revert Current Protection
- Over Voltage Protection
- Reverse Polarity Protection
- Anti-spark Protection

▶ Technical Specifications

Model	12.8V Lithium Battery Charger
Rated input voltage	100Vac-240Vac
Input Frequency	47-63Hz
Input current	5A MAX
Power Factor	≥0.95
Output Voltage	14.6V
Output Current	20A
Full Load Efficiency	≥92% Input 230Vac@ Full load
Operating Temperature	-20°C ~ 40°C
Storage Temperature	-40°C ~ 85°C
Dimensions(mm)	203*100*54
Net Weight	1.4Kg
Certificate	UL CE FCC PSE KC SAA
IP Class	IP20
Charge curve	<p>Voltage&Current</p> <p>I</p> <p>I/5</p> <p>T1 ≤ 1H</p> <p>T2 ≤ 10H</p> <p>3I/40</p> <p>Time</p>