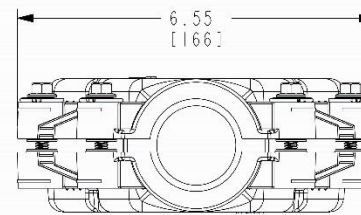
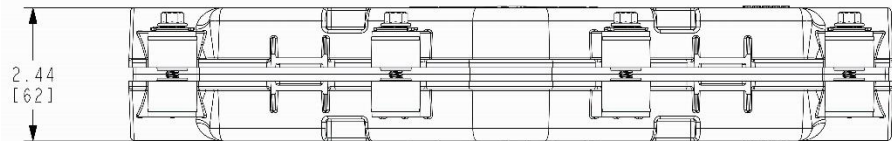
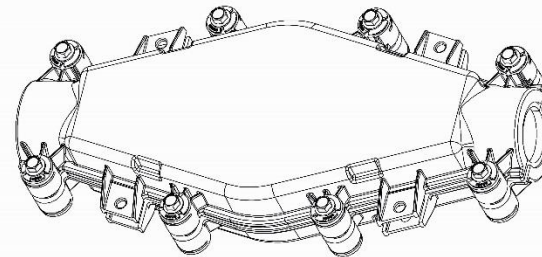
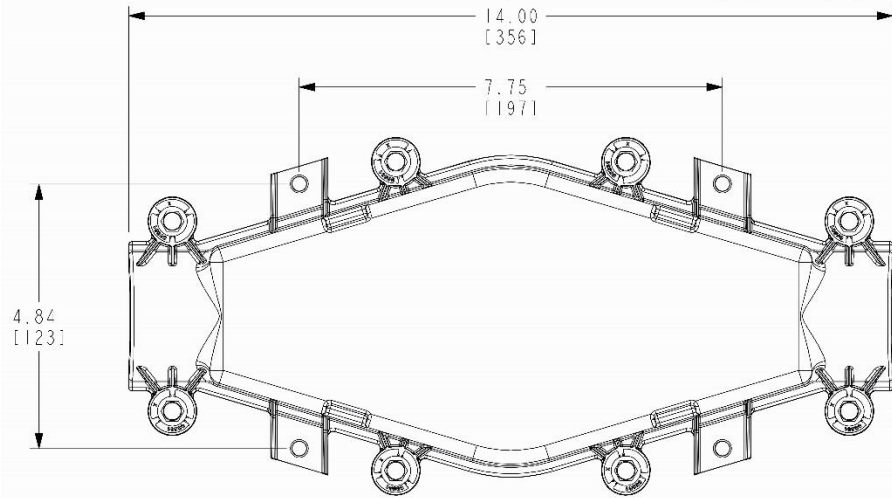


Fiber SenSys®

AN OPTEX GROUP COMPANY



INCHES
[METRIC]

Node Specifications	
Exterior Dimensions	Width: 6.55 in (16.64 cm) Length: 14.00 in (35.54 cm) Height: 2.44 in (6.19 cm)
Industry Standards	ISO 9001 / 2000 manufacturing Compliance Modified Telcordia TR-NWT-000251
Operating Temperature	-40 degrees to +70 degrees centigrade (-40° to 158° F.)
Splicing Capacity	Supports up to 48 single-fusion splices.
Weight	3.5 lbs.