



## EPCOM syscom

1630 Paisano Dr.  
El Paso. Tx 79901.

Ph (915)533-5119

[www.epcom.net](http://www.epcom.net)

## SYSCOM

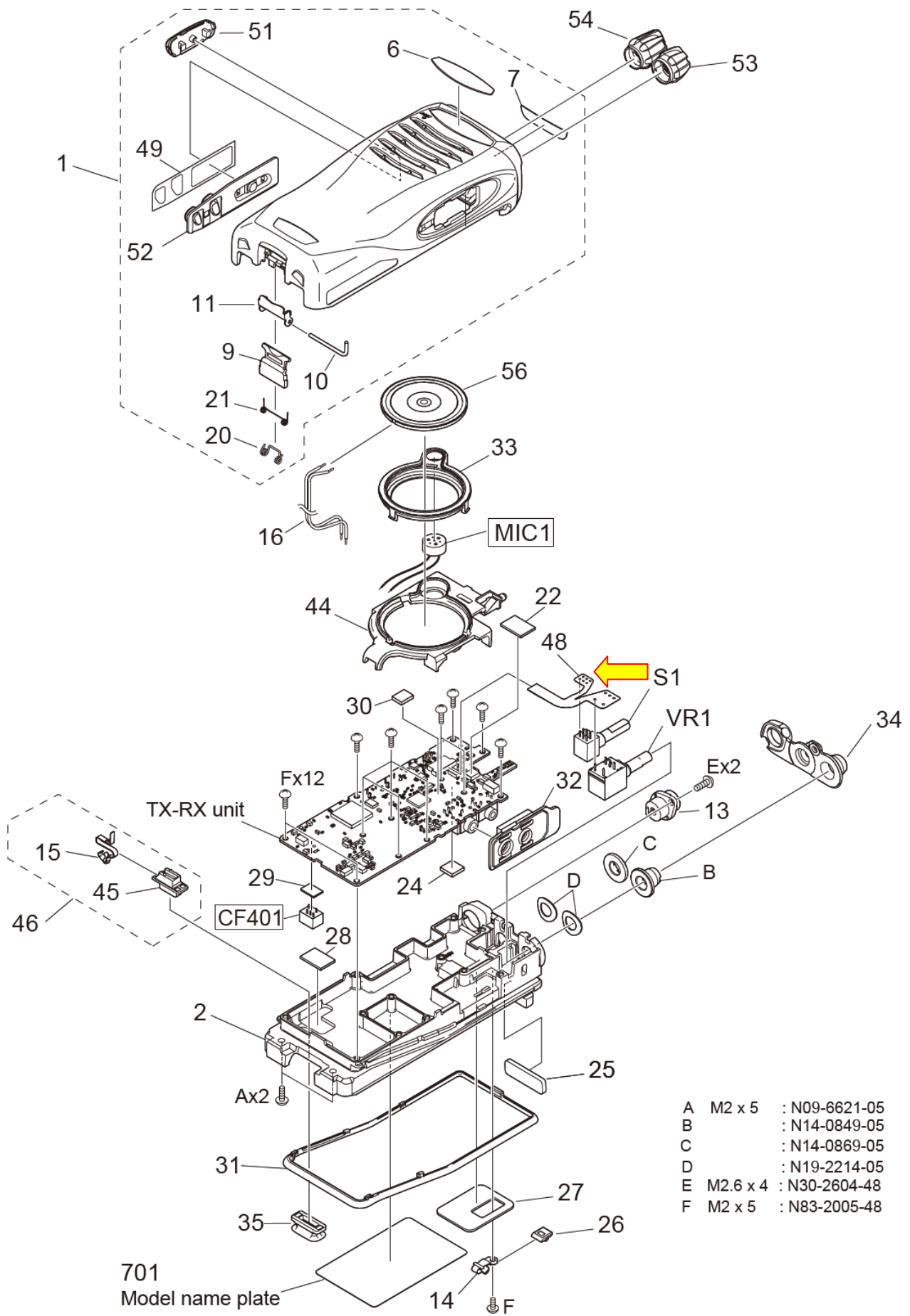
Ave 20 de Noviembre No. 805 Col. Centro  
Chihuahua, Chih. 31000 Tel 052 (614) 415 – 2525

[www.syscom.mx](http://www.syscom.mx)

# J82012805 Flexible Flat Cable Replacement Connection Between the Volume Control, Channel Selector and the PC Board. Conector Flexible tipo Liston.

Ref. No.	Address	New parts	Parts No.	Description	Desti-nation
<b>TK-2402(V) / 2402 / 2406 / 2407</b>					
1	1A	*	A02-4200-03	PLASTIC CABINET ASSY	
2	3A	*	A10-4170-01	CHASSIS	
4	2C	*	B09-0758-03	CAP(EXT SP/MIC) ACCESSORY	
6	1B	*	B43-1686-04	BADGE(FRONT)	
7	1B	*	B43-1687-04	BADGEREAR	
8	1C	*	B62-2479-00	INSTRUCTION MANUAL ACCESSORY	K,K1,P
8	1C	*	B62-2480-00	INSTRUCTION MANUAL ACCESSORY	M
8	1C	*	B62-2481-00	INSTRUCTION MANUAL ACCESSORY	M1
9	1A		D10-0649-03	LEVER	
10	1A		D21-0863-04	SHAFT	
11	1A		D32-0441-13	STOPPER	
12	1B	*	D32-0456-03	STOPPER(SEL) ACCESSORY	
13	2B		E04-0477-15	RF COAXIAL RECEPTACLE(SMA)	
14	3B		E23-1253-14	TERMINAL(GROUND)	
15	2A	*	E23-1395-04	TERMINAL(+VE)	
16	2B		E37-1288-05	PARALLEL CORD	
20	1A		G01-4542-04	COIL SPRING(LEVER)	
21	1A		G01-4543-14	COIL SPRING(STOPPER)	
22	2B		G10-1348-04	FIBROUS SHEET(X57-IC)	
24	2B		G11-4465-04	RUBBER SHEET(Q208)	
25	3B		G13-2009-04	CUSHION(CHASSIS)	
26	3B		G13-2033-04	CUSHION(GROUND)	
27	3B		G13-2034-14	CUSHION(CHASSIS)	
28	2A		G13-2038-34	CUSHION(CHASSIS GROUND)	
29	3A		G13-2039-24	CUSHION(X57)	
30	2A		G13-2107-04	CUSHION(X57,SP)	
31	3A		G53-1604-03	PACKING(CHASSIS)	
32	2B	*	G53-2215-03	PACKING(SP/MIC)	
33	2A	*	G53-2216-03	PACKING(SP)	
34	2B	*	G53-2217-02	PACKING(VOL/SEL)	
35	3A	*	G53-2218-03	PACKING(+VE)	
41	2C	*	H12-4319-05	PACKING FIXTURE	K,K1,M1,P
42	3C	*	H52-2589-01	ITEM CARTON CASE	K,K1,M1,P
43	2C	*	J19-5577-03	HOLDER(SP/MIC) ACCESSORY	
44	2A	*	J19-5578-02	HOLDER(SP)	
45	3A	*	J19-5579-03	HOLDER(+VE)	
46	3A	*	J19-5580-03	HOLDER ASSY	
47	2C	*	J29-0734-15	BELT CLIP ACCESSORY	
48	2B	*	J82-0128-05	FPC(VOL/SEL)	
49	1A	*	J99-0779-04	ADHESIVE SHEET(PTT)	
<b>TX-RX UNIT (X57-8310-10)</b>					
VR1	2B		R31-0670-25	VARIABLE RESISTOR	
S1	2B	*	S60-0450-05	ROTARY SWITCH	
56	1A	*	T07-0805-05	SPEAKER	
57	2D		T90-1036-15	HELICAL ANTENNA ACCESSORY	K,K1,P
58	1D		W08-1247-25	AC ADAPTER ACCESSORY	K,K1
59	1D		W08-1249-35	CHARGER ACCESSORY	K,K1
58	1D	*	W08-1326-05	AC ADAPTER ACCESSORY	P
58	1D	*	W08-1327-05	AC ADAPTER ACCESSORY	M1
59	1D	*	W08-1331-05	CHARGER ACCESSORY	M1,P
D601			B30-2314-05	LED(GREEN)	
D602			B30-2315-05	LED(RED)	
D604			B30-1790-05	LED(BLUE)	
C1 ,2			CK73HB1H102K	CHIP C	1000PF K
C3 ,4			CC73HCH1H101J	CHIP C	100PF J
C5			CK73HB1H102K	CHIP C	1000PF K
C6			CC73HCH1H101J	CHIP C	100PF J
C7			CC73HCH1H100B	CHIP C	10PF B
C8			CK73HB1E103K	CHIP C	0.010UF K
C9			CC73HCH1H101J	CHIP C	100PF J
C10			CC73HCH1H100B	CHIP C	10PF B
C13			CC73HCH1H101J	CHIP C	100PF J
C14			CK73HB1A104K	CHIP C	0.10UF K
C15 -17			CK73HB1E103K	CHIP C	0.010UF K
C18			CK73HB1H102K	CHIP C	1000PF K
C19			CK73HB1E103K	CHIP C	0.010UF K
C21 ,22			CK73HB1H102K	CHIP C	1000PF K
C23			CK73HB1E103K	CHIP C	0.010UF K
C25			CS77MA1VR22M	CHIP TNTL	0.22UF 35WV
C26			CS77MA1C2R2M	CHIP TNTL	2.2UF 16WV
C27 ,28			CK73HB1H102K	CHIP C	1000PF K
C29			C93-1906-05	PLASTIC FILM	1000P J
C30			CK73HB1H271K	CHIP C	270PF K





- A M2 x 5 : N09-6621-05
- B : N14-0849-05
- C : N14-0869-05
- D : N19-2214-05
- E M2.6 x 4 : N30-2604-48
- F M2 x 5 : N83-2005-48