


PoE Injectors
AC Line Cords
External Power Supplies




N000900L017A
56VDC, 15w , GbE

 C6 AC inlet




N000065L001C
56VDC, 30.5w , GbE

 C8 AC inlet





N000900L001C
30VDC, 15w , GbE

 C6 AC inlet




N000000L034A
56VDC, 30.5w, GbE

 C6 AC inlet



N000000L142A
56VDC, 60w, 5GbE


 C6 AC inlet




C000065L002C
58VDC, 100w , GbE

 C8 AC inlet

Power Supply Part Number	Where used
N000900L017A	E410/430/425/505. anywhere a standard 802.3af POE Injector is used
N000000L034A	E600/500/510/501s/502s/700/PTP550/ePMP2000/3000. anywhere an 802.3at PoE Injector is used
N000065L001C	E700, PTP670, PTP650(L,S). anywhere an 802.3at PoE Injector is used
N000000L142A	XV2, XV3. anywhere a multi-gigabit high power PoE injector is used
N000900L001C	ePMP2000/3000/F180/F200/F300/PMP450SM/etc. anywhere a standard 802.3af POE Injector is used
C000065L002C	PTP670/700



AX-12VDCXXA-WW
 12VDC, 3A Power Supply
 2.1mm x 5.5mm x 11mm CP DC connector



C6 AC inlet

AX-12V5ALOK-WW



12VDC, 5A Power Supply
 2.1mm x 5.5mm x 11mm CP DC connector, locking



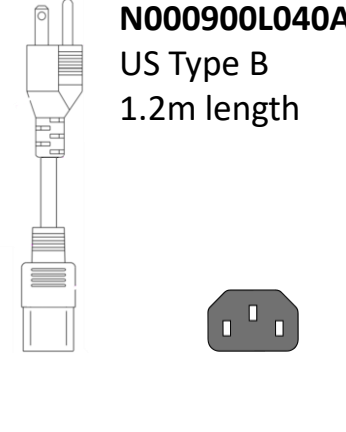
C14 AC inlet

Power Supply Part Number	Where used
AX-12VDCXXA-WW	R190V/R190W/R200/R201. anywhere an AP has a 12VDC, 2.1mm DC connector with power requirement less than 30.5 watts (36w * 85%)
AX-12V5ALOK-WW	C4000 appliance

AC Mains Line Cords – C13 AC Connector

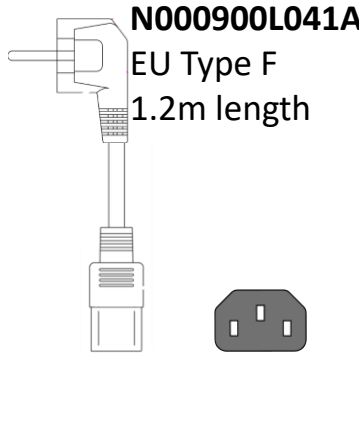


N000900L040A
US Type B
1.2m length



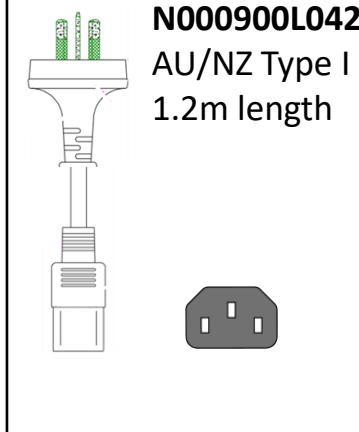
The image shows a white AC mains line cord with a C13 connector on one end and a US Type B (NEMA 5-15P) plug on the other. The cord is 1.2m long.

N000900L041A
EU Type F
1.2m length



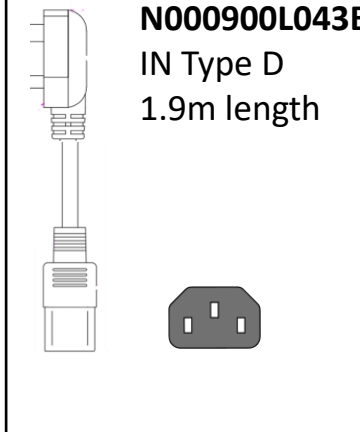
The image shows a white AC mains line cord with a C13 connector on one end and a European Type F (Schuko) plug on the other. The cord is 1.2m long.

N000900L042A
AU/NZ Type I
1.2m length



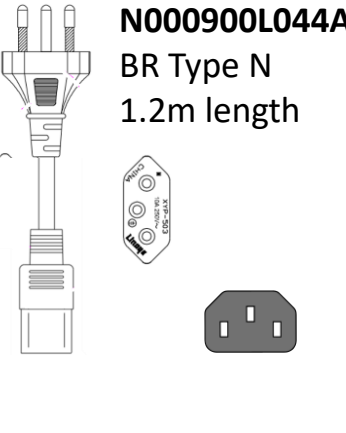
The image shows a white AC mains line cord with a C13 connector on one end and an Australian/New Zealand Type I plug on the other. The cord is 1.2m long.

N000900L043B
IN Type D
1.9m length



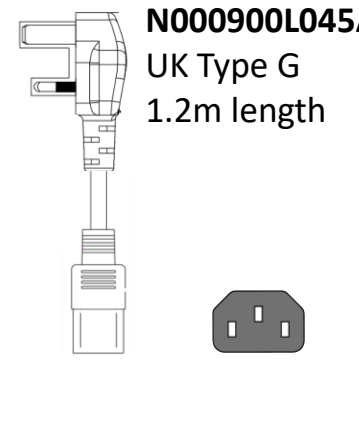
The image shows a white AC mains line cord with a C13 connector on one end and an Indian Type D plug on the other. The cord is 1.9m long.

N000900L044A
BR Type N
1.2m length



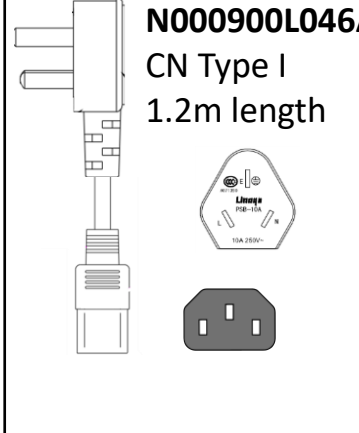
The image shows a white AC mains line cord with a C13 connector on one end and a Brazilian Type N plug on the other. The cord is 1.2m long. A small icon of the Type N plug is shown next to the cord.

N000900L045A
UK Type G
1.2m length



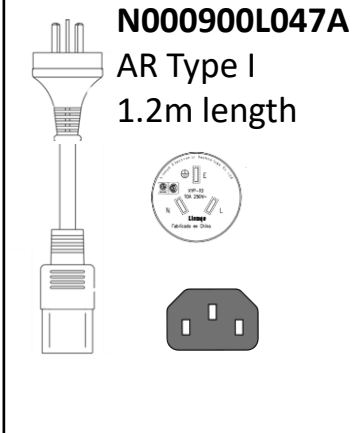
The image shows a white AC mains line cord with a C13 connector on one end and a UK Type G plug on the other. The cord is 1.2m long.

N000900L046A
CN Type I
1.2m length



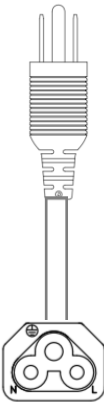
The image shows a white AC mains line cord with a C13 connector on one end and a Chinese Type I plug on the other. The cord is 1.2m long. A small icon of the Type I plug is shown next to the cord.

N000900L047A
AR Type I
1.2m length

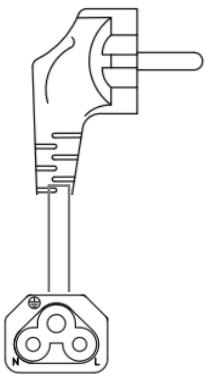


The image shows a white AC mains line cord with a C13 connector on one end and an Argentine Type I plug on the other. The cord is 1.2m long. A small icon of the Type I plug is shown next to the cord.

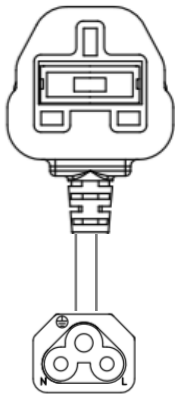
AC Mains Line Cords – C5 AC Connector




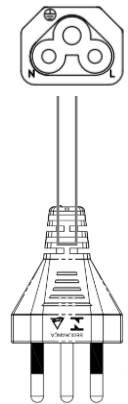
N000900L007A
US Type B
0.30m length



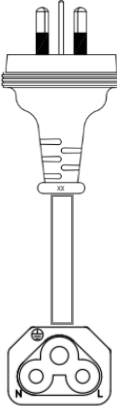
N000900L008A
EU Type F
0.40m length



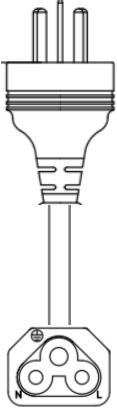
N000900L009A
UK Type G
0.40m length



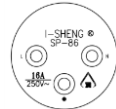
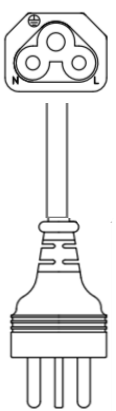
N000900L010A
BR Type N
0.40m length



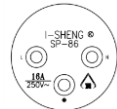
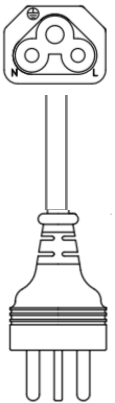
N000900L035A
AU/NZ Type I
0.40m length



N000900L036A
AR Type I
0.40m length

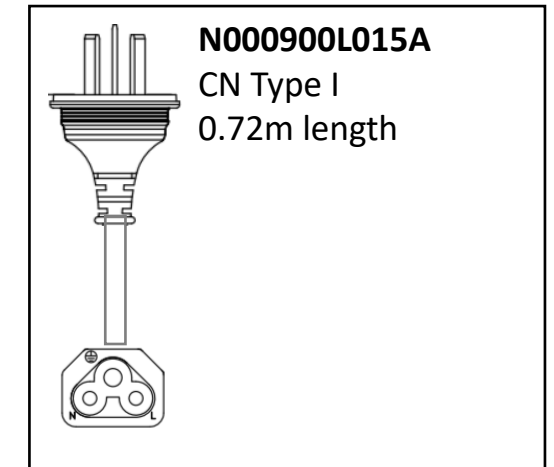
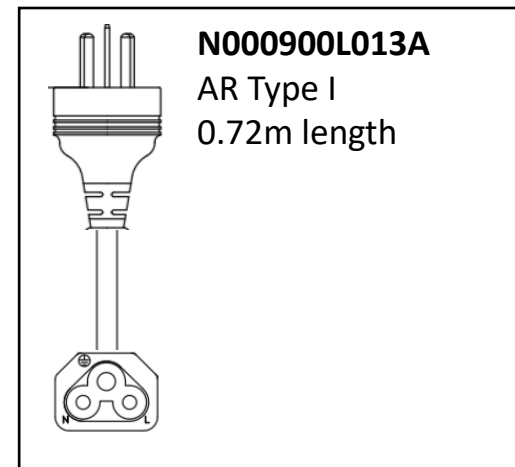
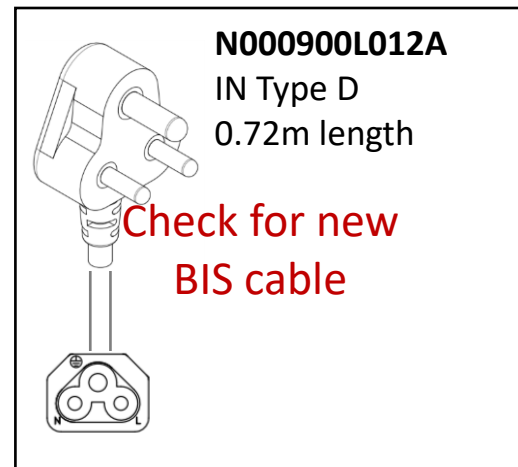
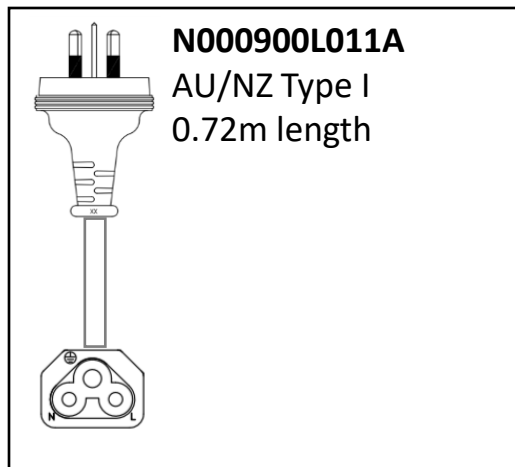
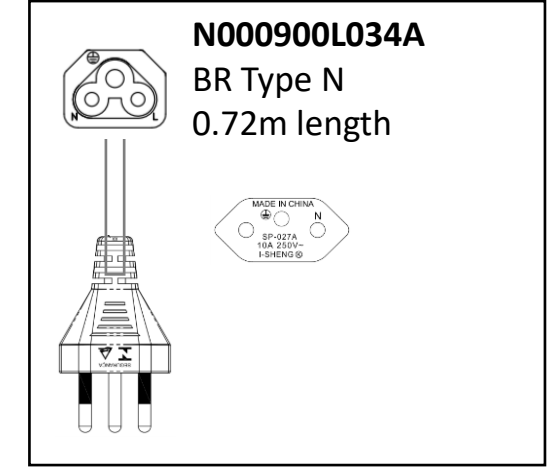
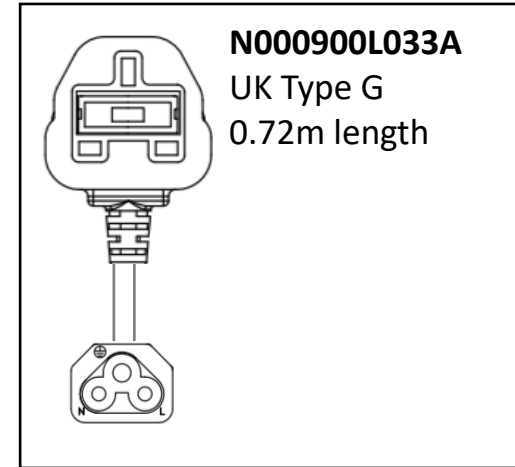
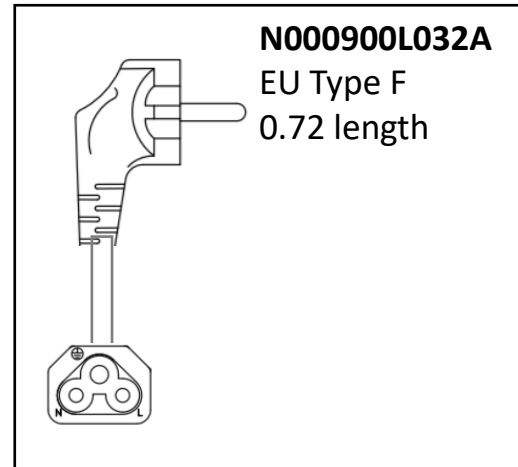
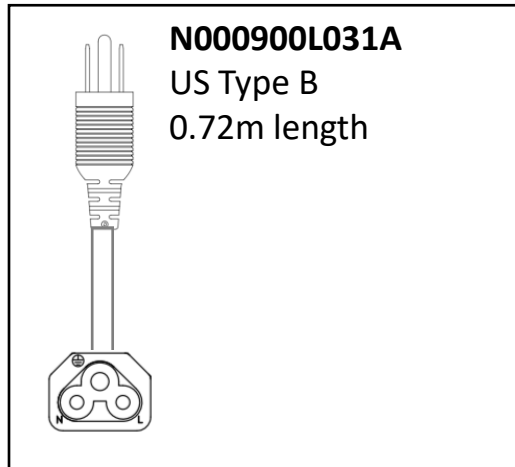


N000900L037A
IL Type H
0.70m length



N000900L038A
IL Type H
0.40m length

AC Mains Line Cords – C5 AC Connector



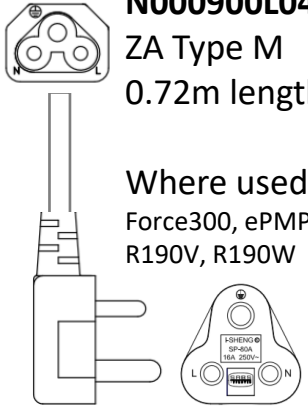
AC Mains Line Cords – C5 AC Connector



Cambium Networks™

N000900L048A
ZA Type M
0.72m length



Where used:
Force300, ePMP3000,
R190V, R190W

A technical diagram of the AC mains line cord N000900L048A. It shows a side view of the cord with a Type M connector at the top and a C5 AC connector at the bottom. A top-down view of the Type M connector is shown in the upper left, and a bottom-up view of the C5 AC connector is shown in the lower right. The C5 connector is labeled with 'L', 'N', and 'PE' terminals. The diagram is enclosed in a black rectangular border.

AC Mains Line Cords – C7 AC Connector


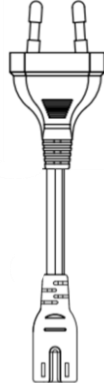


N000900L050A
US Type A (2 prong)
0.67m length




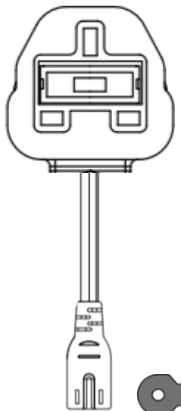
C7 AC plug

N000900L051A
EU Type C
0.67 length




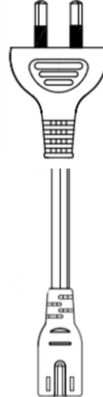
C7 AC plug

N000900L052A
UK Type G
0.67m length



C7 AC plug


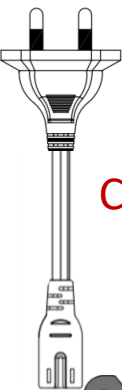
N000900L053A
AU/NZ Type I
(2 prong)
0.67m length



C7 AC plug


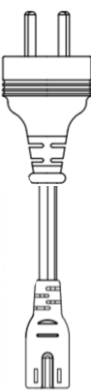
N000900L054A
IN Type D (2 prong)
0.67m length

**Check for new
BIS cable**




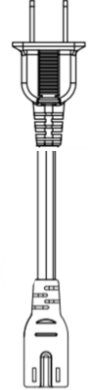
C7 AC plug

N000900L055A
AR Type I (2 prong)
0.67m length




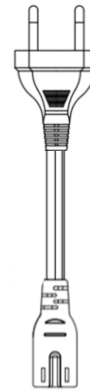
C7 AC plug

N000900L056A
CN Type I (2 prong)
Straight pins
0.67m length



C7 AC plug

N000900L057A
BR Type N (2 prong)
0.67m length



C7 AC plug

AC Mains Line Cords – C7 AC Connector

