

EPCOM syscom

1630 Paisano Dr.
El Paso. Tx 79901.

Ph (915)533-5119

www.epcom.net

SYSCOM

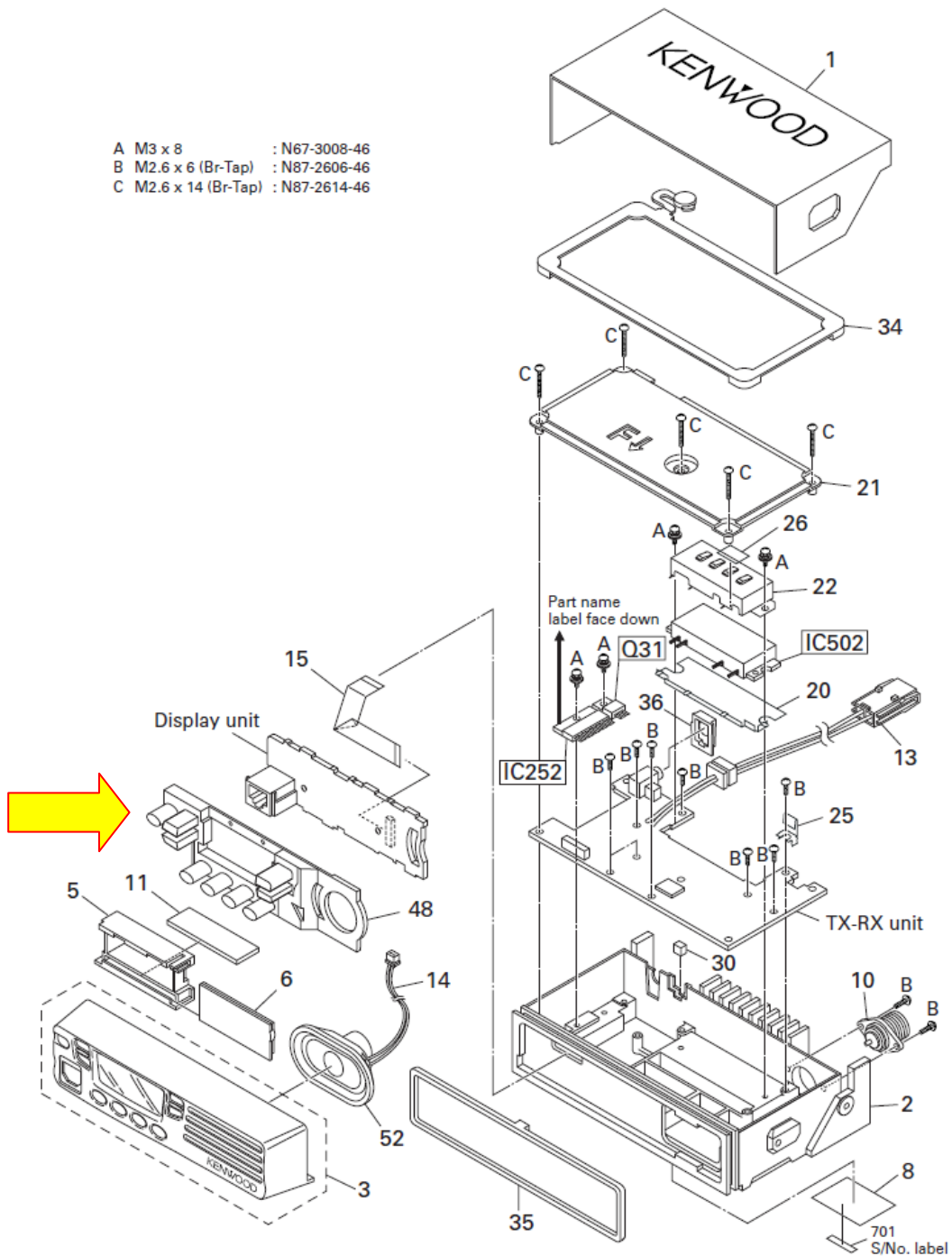
Ave 20 de Noviembre No. 805
Chihuahua, Chih. 31000

Col. Centro
Tel 052 (614) 415 – 2525

www.syscom.mx

**K29926201 Front Key Top for Mobile Radios Model TK-7100/8100
Botonera Frontal**

- A M3 x 8 : N67-3008-46
- B M2.6 x 6 (Br-Tap) : N87-2606-46
- C M2.6 x 14 (Br-Tap) : N87-2614-46



Ref. No.	Address	New parts	Parts No.	Description	Desti-nation
TK-7100					
1	1B		A01-2178-02	CABINET	
2	3B	*	A10-4080-01	CHASSIS	
3	3A		A62-1074-03	PANEL ASSY	
5	3A		B11-1299-02	ILLUMINATION GUIDE (LCD)	
6	3A		B38-0878-05	LCD	
7	2C	*	B62-1778-00	INSTRUCTION MANUAL	
7	2C	*	B62-1779-00	INSTRUCTION MANUAL	M2,K
8	3B	*	B72-2235-04	MODEL NAME PLATE	M
8	3B	*	B72-2236-04	MODEL NAME PLATE	M2
8	3B	*	B72-2237-04	MODEL NAME PLATE	K
10	3B		E04-0167-05	RF COAXIAL PECEPTACLE (M)	
11	3A	*	E29-1197-15	INTER CONNECTOR (LCD)	
12	1C		E30-3339-05	DC CORD ACCESSORY	
13	2B		E30-3448-05	DC CORD (RADIO)	
14	3A		E37-0962-05	SPEAKER CABLE	
15	2A		E37-1041-05	FLAT CABLE (TX/RX-DISPLAY)	
-			E37-1080-05	PROCESSED CABLE (B)	
-			E37-1081-05	PROCESSED CABLE (A)	
-		*	E37-1117-05	PROCESSED CABLE	
20	2B		F10-2414-03	SHIELDING PLATE (POWER MODULE)	
21	2B	*	F10-2491-02	SHIELDING COVER (TX/RX)	
22	2B	*	F10-2498-03	SHIELDING CASE (POWER MODULE)	
23	1C		F51-0016-05	FUSE (6*30) ACCESSORY	
25	2B		G02-0887-03	EARTH SPRING (ANTENNA TERMINAL)	
26	2B		G10-0792-14	FIBROUS SHEET (POWER MODULE)	
-		*	G13-1963-04	CUSHION	
-		*	G13-1964-04	CUSHION	
30	3B	*	G13-2003-04	CUSHION (DC CORD)	
-		*	G13-2005-04	CUSHION (G)	
-		*	G13-2006-04	CUSHION (F)	
-		*	G13-2007-04	CUSHION (E)	
34	1B		G53-1524-02	PACKING (CABINET)	
35	3B		G53-1525-03	PACKING (PANEL)	
36	2B		G53-1542-03	PACKING	
38	1C		H02-0617-02	INNER PACKING CASE	
39	2D		H10-6636-13	POLYSTYRENE FOAMED FIXTURE	
40	3C		H10-6639-03	POLYSTYRENE FOAMED FIXTURE	
41	1C		H25-0103-04	PROTECTION BAG (125/250/0.07)	
42	2D		H25-2320-04	PROTECTION BAG	
43	3D		H52-1699-12	ITEM CARTON CASE	M
43	D	*	H52-2032-02	ITEM CARTON CASE	M2,K
45	1C		J19-1584-05	MIC HOLDER ACCESSORY	K
46	1D		J29-0662-03	BRACKET ACCESSORY	
48	3A		K29-9262-01	KEY TOP	
A	2B		N67-3008-46	PAN HEAD SEMS SCREW W	
B	2B,3B		N87-2606-46	BRAZIER HEAD TAPTITE SCREW	
C	1B,2B		N87-2614-46	BRAZIER HEAD TAPTITE SCREW	
50	1C		N99-0395-05	SCREW SET ACCESSORY	
52	3A		T07-0739-05	SPEAKER	
53	1D		T91-0624-05	MICROPHONE ACCESSORY	K

Ref. No.	Address	New parts	Parts No.	Description	Desti-nation
DISPLAY UNIT (X54-3430-20)					
D2-5			B30-2205-05	LED (YG)	
D19-26			B30-2205-05	LED (YG)	
D28-31			B30-2205-05	LED (YG)	
C4			CC73GCH1H101J	CHIP C 100PF J	
C6			CK73GB1H103K	CHIP C 0.010UF K	
C15,16			CC73GCH1H101J	CHIP C 100PF J	
C18			CK73FB1A105K	CHIP C 1.0UF K	
C19			CK73GB1H681K	CHIP C 680PF K	
C22,23			CK73GB1H102K	CHIP C 1000PF K	
C24			CK73GB1H103K	CHIP C 0.010UF K	
C25			CK73GB1H102K	CHIP C 1000PF K	
C27,28			CK73GB1H102K	CHIP C 1000PF K	
C30			CK73GB1H103K	CHIP C 0.010UF K	
C31-33			CK73GB1H102K	CHIP C 1000PF K	
CN1			E40-6005-05	FLAT CABLE CONNECTOR	
J1			E08-0877-05	MODULAR JACK	
L1			L92-0138-05	FERRITE CHIP	
CP1			R90-0724-05	MULTI-COMP 1K X4	
R4-9			RK73GB1J102J	CHIP R 1.0K J 1/16W	
R10,11			RK73GB1J272J	CHIP R 2.7K J 1/16W	
R21-23			RK73GB1J103J	CHIP R 10K J 1/16W	
R24			RK73GB1J474J	CHIP R 470K J 1/16W	
R25			RK73GB1J473J	CHIP R 47K J 1/16W	
R26			RK73GB1J392J	CHIP R 3.9K J 1/16W	
R33			RK73FB2A560J	CHIP R 56 J 1/10W	
R34			RK73GB1J101J	CHIP R 100 J 1/16W	
R36			RK73FB2A560J	CHIP R 56 J 1/10W	
R37			RK73GB1J100J	CHIP R 10 J 1/16W	
R38,39			RK73FB2A390J	CHIP R 39 J 1/10W	
R40			RK73FB2A473J	CHIP R 47K J 1/10W	
D17			MA2S111	DIODE	
D18			DA204U	DIODE	
D27			DA221	DIODE	
IC2			LC75834W	MOS IC	
Q6			KRC102S	DIGITAL TRANSISTOR	
Q9			2SB1132(Q,R)	TRANSISTOR	
Q10			KRA225S	DIGITAL TRANSISTOR	
Q11			RN47A4	TRANSISTOR	
TX-RX UNIT (X57-6910-XX) -20 : K,M -21 : M2					
C10			CK73GB1H102K	CHIP C 1000PF K	
C13-23			CK73GB1H471K	CHIP C 470PF K	
C26-28			CK73GB1H221K	CHIP C 220PF K	
C29			CK73GB1H471K	CHIP C 470PF K	
C30			CK73GB1H102K	CHIP C 1000PF K	
C33			CK73GB1H102K	CHIP C 1000PF K	
C34			C92-0721-05	ELECTRO 330UF 25WV	
C35-38			CK73GB1H102K	CHIP C 1000PF K	
C39,40			CK73GB1C104K	CHIP C 0.10UF K	
C41			C92-0795-05	CHIP-TAN 22UF 10WV	