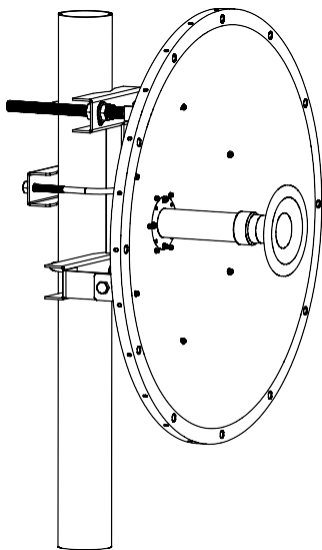




## Guía de instalación rápida

Para 2ft/3ft



## Lista de accesorios:

1x Plato reflector

1x Barra de elevación

1x Pinza para mastil

3x Perno "U"

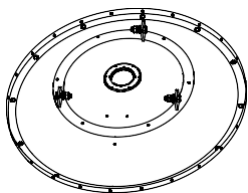
1x Dipolo

1x Soporte de montaje

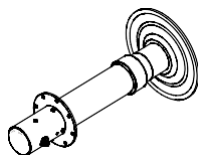
4x M4 x 16 Tornillo de cabeza redonda



## Accessories list



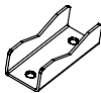
Dish Reflector  
( Qty 1 )



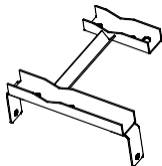
Antenna Feed  
( Qty 1 )



Lifting rod  
( Qty 1 )



Pole clip  
( Qty 1 )



Mount Bracket  
( Qty 1 )



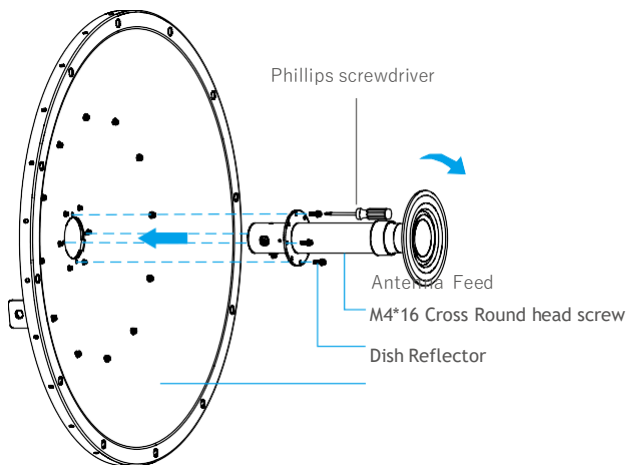
U Bolt  
( Qty 3 )




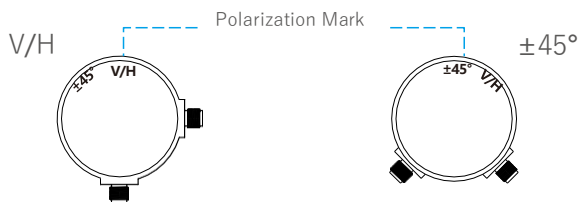
M4\*16 Cross Round head screw  
( Qty 4 )

## Install Antenna Feed

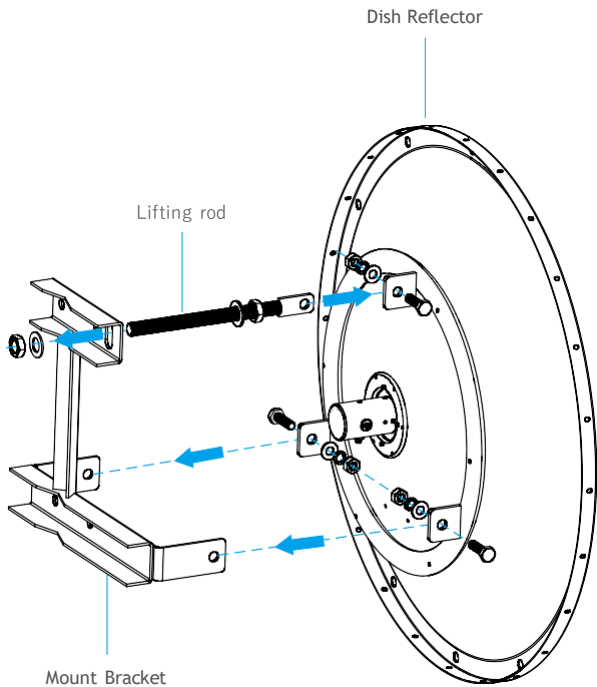
 Install the antenna polarization as you require




 You can adjust the polarization mode by rotating feedhorn.

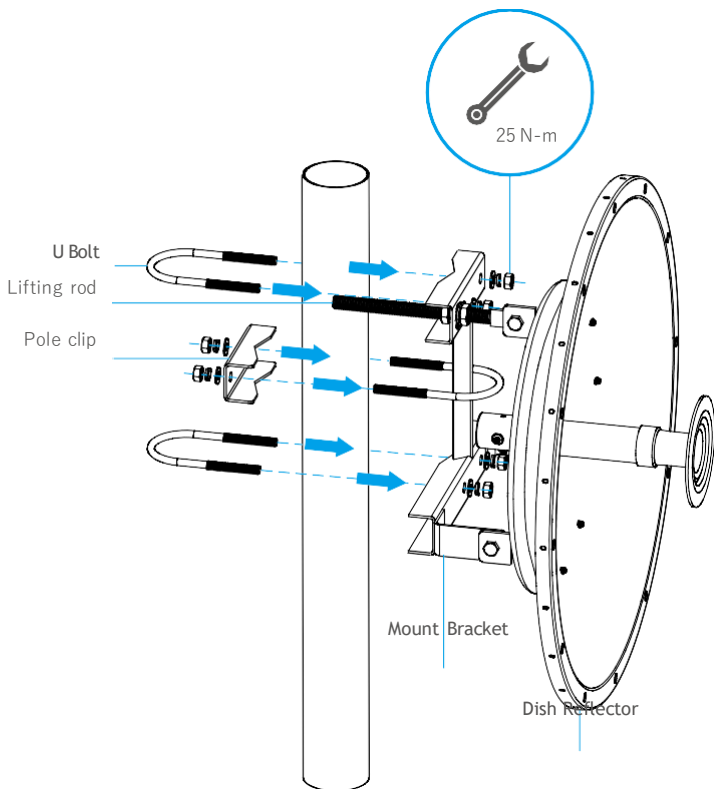


## Install the Bracket

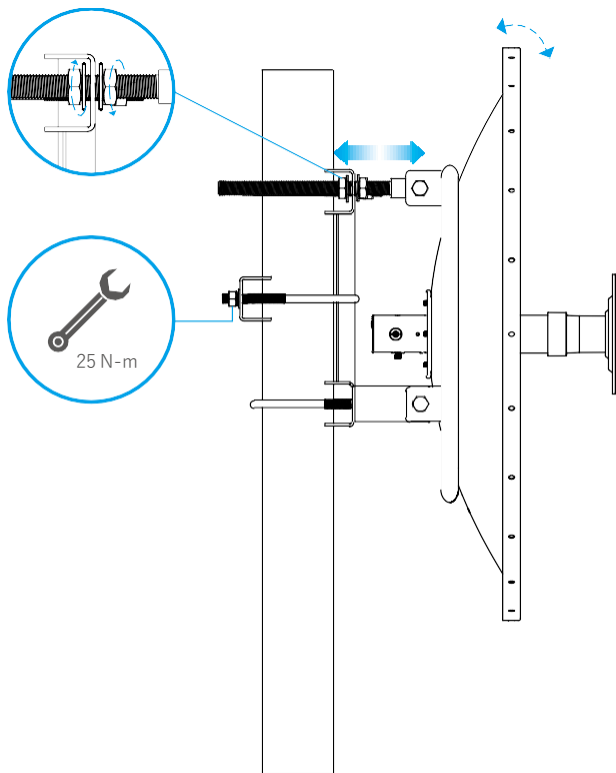


## Install the Pole

 Note: The mounting assembly can accommodate a  $\varnothing$  30 - 80mm pole.



## Depression angle adjustment



## Finish installation

