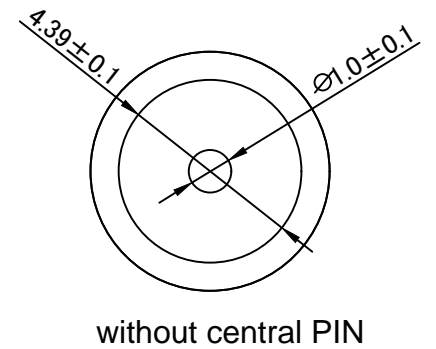
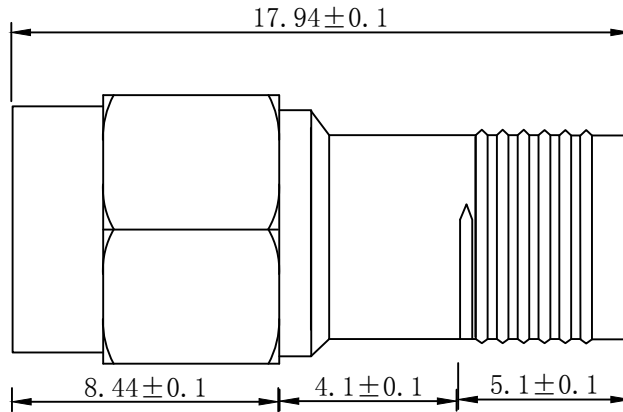
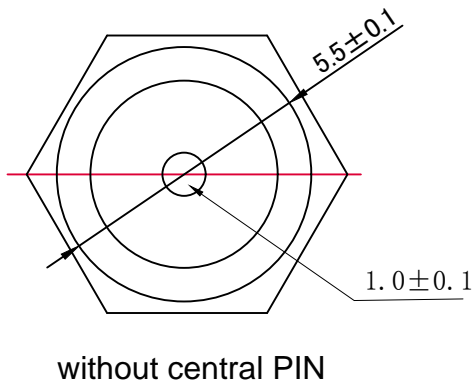


版本	说明	日期
A1.0		2020.10.9



Product: RP SMA MALE to SMA FEMALE
 Material: Brass Gold plated
 Characteristic Impedance: 50

SHENZHEN FUSHI TECHNOLOGY CO.,LTD						
未注公差	CUSTOMER:	A228	CUSTNO:			
x	±1	PRODUCTNO:		PARTNO:		
x. x	±0.5	TT-COU-SMA-RPM-SF				
x. xx	±0.05					
x. xxx	±0.002	DRAWNBY	LIU	DRAWINGSIZE	1:1	A1
/	/	CHECKEDBY		UNIT	mm	
/	/	APPROVEDBY		PAGE	1 OF 1	
/	/	SORTINGNO.			