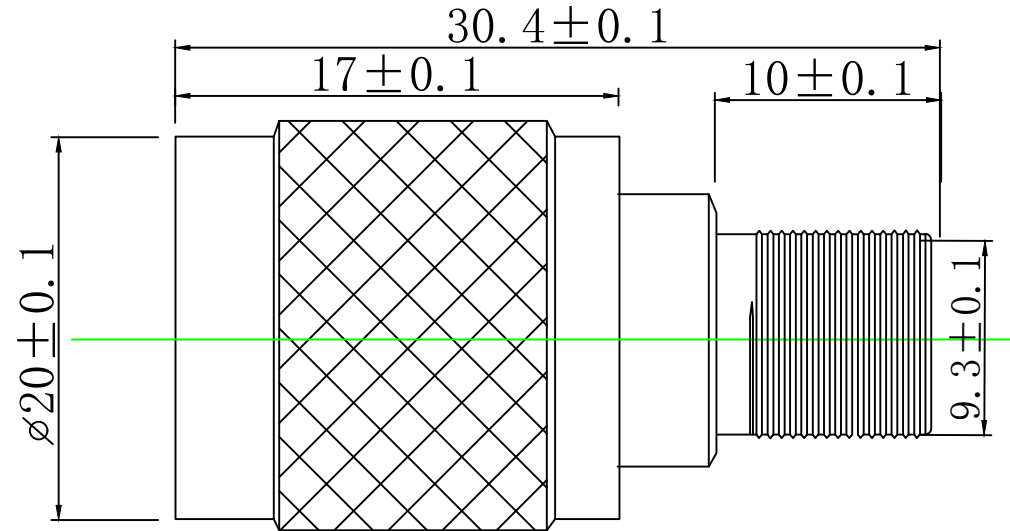
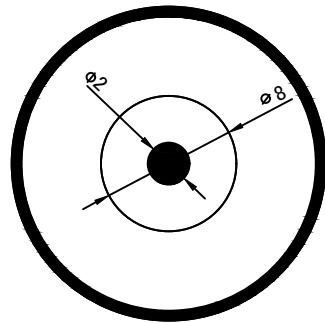


版本	说明	日期
A1.0		2020.8.5



Product: N male to F female connector

Material: Brass Nickel plated

Operation temperature: -20°C ~ 80°C

Storage temperature: -20°C ~ 80°C

深圳市富视科技有限公司 SHENZHEN FUSHI TECHNOLOGY CO., LTD					
未注公差	CUSTOMER:	A228	CUST NO:		
X	±1	PRODUCT NO:	PART NO:		
X. X	±0.5	TTCO540			
X. XX	±0.05				
X. XXX	±0.002	DRAWN BY	LIU	DRAWING SIZE	1:1 A1
		CHECKED BY		UNIT	mm
		APPROVED BY		PAGE	1 OF 1
		SORTING NO.			