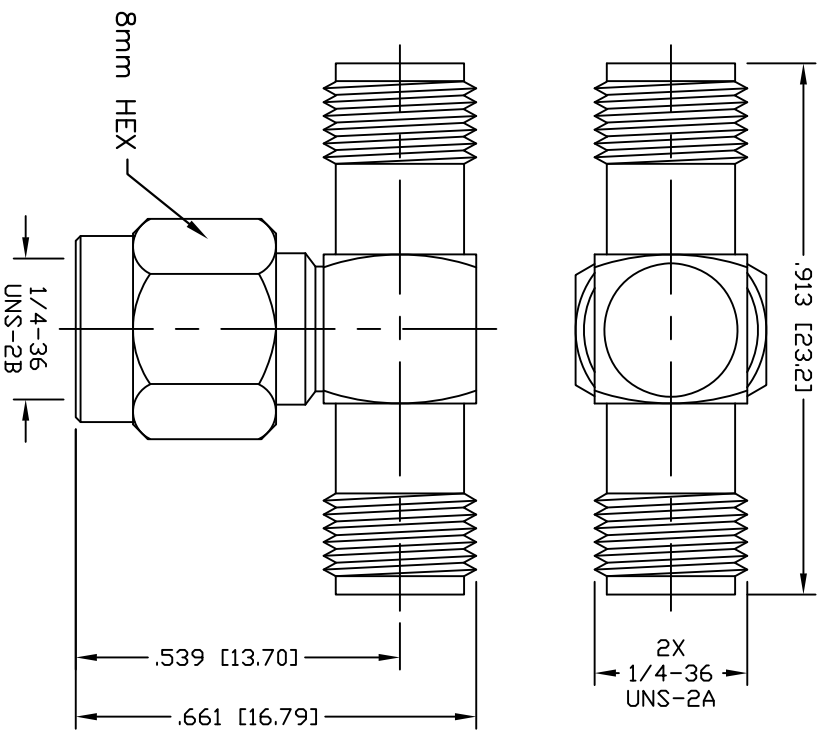


PART NO.		<b>RSA-3400-1</b>		
REV	DESCRIPTION	DWN	DATE	APPROVED
—	ENGINEERING RELEASE	CZ	11/02/21	JDMc



**SPECIFICATIONS:**

IMPEDANCE: 50 Ohms  
 WORKING VOLTAGE: 335 V rms Max. @ Sea Level  
 INSULATION RESISTANCE: 5k MOhms min.  
 TEMPERATURE RANGE: -55°C TO 85°C

10	END CAP	1	BRASS	GOLD
9	GASKET	1	RUBBER	RED
8	RETAINING RING	1	BeCu	GOLD
7	INSULATOR	2	PTFE	NATURAL
6	INSULATOR	1	PTFE	NATURAL
5	PIN	1	BRASS	GOLD
4	CONTACT	1	BeCu	GOLD
3	BODY (JACK)	1	BRASS	GOLD
2	BODY (PLUG)	1	BRASS	GOLD
1	HOUSING	1	BRASS	GOLD
#	DESCRIPTION	QTY	MATERIAL	FINISH

CUSTOMER OUTLINE DRAWING ALL DIMENSIONS ARE REFERENCE ONLY UNLESS OTHERWISE SPECIFIED: DIMENSIONS ARE IN INCHES AND [MILLIMETERS]	
DRAWN C. ZUNIGA CHECKED	11/02/21
ORG DRAWN C. ZUNIGA	11/02/21

**ROHS COMPLIANT**

PROPRIETARY AND CONFIDENTIAL  
 THIS DRAWING CONTAINS  
 INFORMATION PROPRIETARY TO  
 RF INDUSTRIES, ANY  
 UNAUTHORIZED USE OF THIS  
 DRAWING IS EXPRESSLY  
 PROHIBITED WITHOUT WRITTEN  
 PERMISSION FROM RF  
 INDUSTRIES. ANY VIOLATION IS  
 PUNISHABLE UNDER U.S.  
 COPYRIGHT LAWS.

**RF Industries**  
 DIVISION OF RF INDUSTRIES, LTD. (858) 549-6345 FAX

RFINDUSTRIES.COM  
 7610 MIRAMAR RD.  
 SAN DIEGO, CA 92126  
 (858) 549-6340

**SMA PLUG TO  
 DOUBLE JACK T ADAPTER**

DWG # **RSA-3400-1**

CABLE GROUP	CONTROL #	SCALE	FORMAT	SHEET	REVISION
N/A	000000	NTS	A	1 OF 1	—